



# 1921LED GALESBURG SERIES

LED

EPA  
1.35 (ft<sup>2</sup>)  
WEIGHT  
75 LBS

7 YEAR  
WARRANTY

LUMEN  
RANGE  
3,130 to  
14,395

LIFE SPAN  
L70  
MINIMUM  
100,000  
HOURS

UL  
LISTED

CLICK  
FOR FAQ's

JOB NAME \_\_\_\_\_

FIXTURE TYPE \_\_\_\_\_

MEMO \_\_\_\_\_

## BUILD A PART NUMBER

ORDERING EXAMPLE: **2A-1921LED-21L45T5-MDLO7-A-PEC-FHD-HSHS/CA6/6420SRTS/BKT**

Mounting Config.	Fixture	LED	CCT	Type	Driver	Lens	Option Control Receptacle	Option Control	Option Fuse	Option Hang-straight	Option House Side Shield	Arm See Arm Spec Sheets	Pole See Pole Spec Sheets	Finish

### Mounting Configuration

(Click here to link to mounting configuration specification page)

- 1W      • 2A90      • 4A      • CH44<sup>1</sup>
- 1A      • 3A      • 1AM      • SH44<sup>1</sup>
- 2A      • 3A90      • 2AM

W = Wall Mount    A = Arm Mount    AM = Arm Mid-Mount  
SH = Stern Hung    CH = Chain Hung

<sup>1</sup> Include overall drop length in inches after designation for stem/chain application (IE: CH44 - 48")

### Fixture

- 1921LED

### LED

- 21L      • 33L      • 40L

### CCT - Color Temperature (K)

- 27(00)    • 35(00)    • 45(00)

### Type

- T2      • T3      • T4      • T5

### Driver

- MDLO7 (120v-277v, 700mA)<sup>2</sup>
- MDH07 (347v-480v, 700mA)<sup>2</sup>
- MDL10 (120v-277v, 1000mA)
- MDH10 (347v-480v, 1000mA)
- MDL14 (120v-277v, 1400mA)<sup>3</sup>
- MDH14 (347v-480v, 1400mA)<sup>3</sup>

<sup>2</sup> For use with 21L system only.  
<sup>3</sup> For use with 40L system only.

### Lens

- FG (Flat Glass)
- SG (Sag Glass)
- FSG (Frosted Sag Glass)
- A (Ribbed Acrylic Teardrop)
- SV1 (Flat Soft Vue Medium Diffused Acrylic)
- SV2 (Flat Soft Vue Heavy Diffused Acrylic)

### Options (Click here to view accessories sheet)

- R7<sup>6</sup> 7-Pin control receptacle only
- PE<sup>5</sup> Twist-Lock Photocontrol (120v-277v)
- PE3<sup>5</sup> Twist-Lock Photocontrol (347v)
- PE4<sup>5</sup> Twist-Lock Photocontrol (480v)
- SC<sup>5</sup> Shorting Cap
- PEC Electronic Button Photocontrol (120v-277v)

- PEC4 Electronic Button Photocontrol (480v)
- FHD<sup>6</sup> Double Fuse and Holder
- HSHS Standard horizontal hangstraight, spike finial
- HSHN Standard horizontal hangstraight, no finial
- HSHB Standard horizontal hangstraight, ball finial
- EZ Vertical hangstraight, large, "EZ" mount
- HSS 120° House Side Shield

<sup>4</sup> Only available with "HSHL" hangstraight.  
<sup>5</sup> Requires control receptacle.  
<sup>6</sup> Ships loose for installation in base.

### Arm (Click here to link to arm specification page)

See Arms & Wall Brackets specification sheets.

- 480    • CDVH    • CA    • CAF    • RA
- 478    • 91W    • CAS    • CBA    • DAG
- 678    • R2<sup>7</sup>    • CSA    • RSA
- 6236U    • R3<sup>7</sup>    • SMA    • FFA

<sup>7</sup> Luminaires above grade height to be 2' higher than pole height, REQUIRES "EZ" hangstraight.

### Pole (Click here to link to pole specification page)

See Pole specification sheets.

### Finish

#### Standard Finishes<sup>8</sup>

- BKT Black Textured
- WHT White Textured
- PGT Park Green Textured
- ABZT Architectural Medium Bronze Textured
- DBT Dark Bronze Textured

<sup>8</sup> Smooth finishes are available upon request.

#### Custom Finishes<sup>9</sup>

- CM Custom Match
- OI Old Iron
- RT Rust
- WBR Weathered Brown
- CD Cedar
- WBK Weathered Black
- TT Two Tone

<sup>9</sup> Custom colors require upcharge.

### Sternberg Select Finishes

- VG Verde Green
- SI Swedish Iron
- OWGT Old World Gray Textured

## Specifications

### Fixture

The luminaire shall be 17" wide and 31-3/8" tall. It shall be made of heavy wall cast aluminum alloy. The Luminaire shall be UL listed in the US and Canada.

### LEDs

The luminaire shall use high output, high brightness LED's. They shall be mounted in arrays, on printed circuit boards designed to maximize heat transfer to the heat sink surface. The arrays shall be roof mounted to minimize up-light. The LED's and printed circuit boards shall be 100% recyclable, they shall also be protected from moisture and corrosion by a conformal coating of 1 to 3 mils. They shall not contain lead, mercury or any other hazardous substances and shall be RoHS compliant. The LED life rating data shall be determined in accordance with IESNA LM-80. They shall operate in a -40°C (-40°F) to +50°C (122°F) ambient air temperature range. The High Performance white LED's will have a life expectancy of approximately 100,000 hours with not less than 70% of original brightness (lumen maintenance), rated at 25°C. The High Brightness, High Output LED's shall be 4500K (3500K or 2700K option) color temperature with a minimum CRI of 70. Consult factory for custom color CCT. The luminaire shall have a minimum \_\_\_\_\_ (see table) delivered initial lumen rating when operated at steady state with an average ambient temperature of 25°C (77°F).

See next page

# 192ILED GALESBURG SERIES

LED

## Optics

The luminaire shall be provided with individual acrylic, refractor type optics applied to each LED. The luminaire shall provide Type \_\_\_\_\_ (2, 3, 4, or 5) light distribution per the IESNA classifications. Testing will be done in accordance with IESNA LM-79.

## Electronic Drivers

The LED driver shall be U.L. Recognized. It shall be securely mounted inside the fixture, for optimized performance and longevity. It shall be supplied with a quick-disconnect electrical connector on the power supply, providing easy power connections and fixture installation. It shall have overload, overheat and short circuit protection, and have a DC voltage output, constant current design, 50/60HZ. It shall

be supplied with line-ground, line-neutral and neutral-ground electrical surge protection in accordance with IEEE/ANSI C62.41.2 guidelines. It shall be a high efficiency driver with a THD less than 20% and a high power factor greater than .9. It shall be dimming capable using a 0-10v signal, consult factory for more information.

## Photocontrol Options

**Button Style:** On a single assembly the photocontrol shall be mounted on the fixture and pre-wired to driver. On multiple head assembly's the photocontrol shall be mounted in the pole shaft on an access plate. The electronic button type photocontrol is instant on with a 5-10 second turn off, and shall turn on at 1.5 footcandles with a turn-off at 2-3 footcandles. Photocontrol is 120-277 volt and warranted for 6 years.

**Twist-Lock Style:** The photocontrol shall be mounted on the hang-straight and pre-wired to driver. The twist lock type photocontrol is instant on with a 3-6 second turn off, and shall turn on at 1.5 footcandles with a turn-off at 2-3 footcandles. Photocontrol is 120-277 volt and warranted for 6 years.

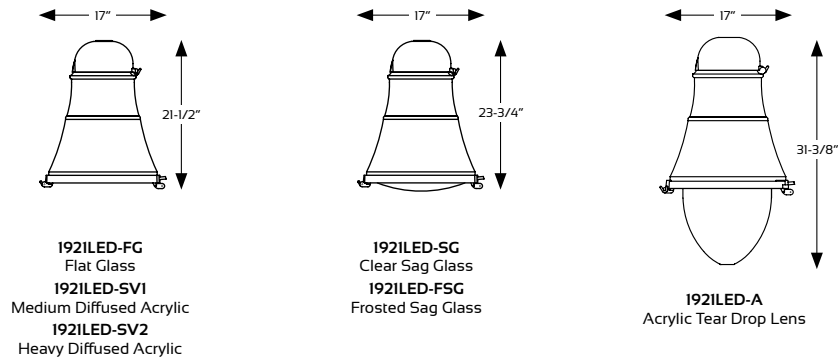
## Warranty

Seven-year limited warranty. See product and finish warranty guide for details.

## Finish

Refer to website for details.

## Fixtures



## Performance

Initial Delivered Lumen Data ("FG" Lens)

MODEL #	T2 LUMENS	BUG	EFFICACY (LPW)	T3 LUMENS	BUG	EFFICACY (LPW)	T4 LUMENS	BUG	EFFICACY (LPW)	T5 LUMENS	BUG	EFFICACY (LPW)	WATTS
40L45T_-MDL14	13480	B3U0G3	71.7	14560	B3U0G3	77.4	14385	B3U0G3	76.5	13515	B4U0G2	71.9	188
40L35T_-MDL14	12660	B3U0G3	67.3	13675	B3U0G3	72.7	13510	B3U0G3	71.9	12695	B4U0G2	67.5	188
40L27T_-MDL14	11110	B3U0G3	59.1	12000	B3U0G3	63.8	11860	B3U0G3	63.1	11140	B4U0G2	59.3	188
40L45T_-MDL10	11035	B3U0G3	77.7	11690	B3U0G3	82.3	11535	B2U0G2	81.2	12315	B4U0G2	86.7	142
40L35T_-MDL10	10365	B3U0G3	73.0	10980	B3U0G3	77.3	10835	B2U0G2	76.3	11565	B4U0G2	81.4	142
40L27T_-MDL10	9095	B3U0G3	64.0	9635	B3U0G3	67.9	9510	B2U0G2	67.0	10150	B4U0G2	71.5	142
33L45T_-MDL10	9290	B3U0G3	78.7	8975	B2U0G2	76.1	8710	B2U0G2	73.8	9350	B3U0G2	79.2	118
33L35T_-MDL10	8725	B3U0G3	73.9	8430	B2U0G2	71.4	8180	B2U0G2	69.3	8780	B3U0G2	74.4	118
33L27T_-MDL10	7660	B3U0G3	64.9	7400	B2U0G2	62.7	7180	B2U0G2	60.8	7705	B3U0G2	65.3	118
21L45T_-MDL10	6070	B2U0G2	76.8	5555	B1U0G2	70.3	5685	B1U0G2	72.0	6130	B3U0G1	77.6	79
21L35T_-MDL10	5700	B2U0G2	72.2	5215	B1U0G2	66.0	5340	B1U0G2	67.6	5755	B3U0G1	72.8	79
21L27T_-MDL10	5005	B2U0G2	63.4	4580	B1U0G2	58.0	4685	B1U0G2	59.3	5055	B3U0G1	64.0	79
21L45T_-MDL07	4300	B2U0G2	89.6	3925	B1U0G1	81.8	4045	B1U0G1	84.3	4340	B3U0G1	90.4	48
21L35T_-MDL07	4040	B2U0G2	84.2	3685	B1U0G1	76.8	3800	B1U0G1	79.2	4075	B3U0G1	84.9	48
21L27T_-MDL07	3545	B2U0G2	73.9	3235	B1U0G1	67.4	3335	B1U0G1	69.5	3580	B3U0G1	74.6	48



**SternbergLighting**

ESTABLISHED 1923

800-621-3376  
555 Lawrence Ave., Roselle, IL 60172  
contactus@sternberglighting.com  
www.sternberglighting.com