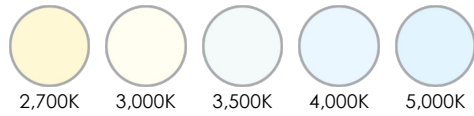


Project Name _____ Qty _____

Type _____ Catalog / Part Number _____



CCT - Color Temperature (K)



7 Year Warranty



IP Rating



Certifications



Description

We've designed, developed and tested our LED conversion and upgrade kit specifically for this Sternberg luminaire. By doing so, you will be assured maximum light output, enhanced energy savings, proper thermal management and optimized visual appearance with reliable, trouble-free installation and support. The wide variety of lumen and distribution options makes upgrading existing Sternberg installations a snap. Don't be fooled by universal LED retrofit kits offering high levels of performance. Call your local Sternberg Lighting representative for price, availability, ordering and technical support questions.

Physical

Series	LED-1940: Glenview, LED Conversion Kit	
Generation	GEN1: Pre-2004 - Fitters have an max opening dimension of 8.59" for a conversion kit with a 8" collar GEN2: Post-2004 - Fitters have an max opening dimension of 9.38" for a conversion kit with a 9" collar	
Lens	SG: Sag Glass FG: Flat Glass FSG: Frosted Sag Glass FFG: Frosted Flat Glass SV1: Flat Soft Vue Light Diffused Acrylic SV2: Flat Soft Vue Moderate Diffused Acrylic	
Finish	BKT: Black Textured PGT: Park Green Textured DBT: Dark Bronze Textured OI: Old Iron WBR: Weathered Brown WBK: Weathered Black SI: Swedish Iron	WHT: White Textured ABZT: Architectural Medium Bronze Textured CM: Custom Match RT: Rust CD: Cedar TT: Two Tone VG: Verde Green

Light Source

LED	1L: 1 LED	2L: 2 LEDs
CCT - Color Temperature (K)	27: 2,700K	30: 3,000K
	35: 3,500K	40: 4,000K
	50: 5,000K	
Distribution Type	T2: Type 2	T3: Type 3
	T4: Type 4	T5: Type 5

Electrical and control

Driver	MDL06: 120V-277V, 600mA	MDH06: 347V-480V, 600mA
	MDL08: 120V-277V, 800mA	MDH08: 347V-480V, 800mA
	MDL09: 120V-277V, 900mA	MDH09: 347V-480V, 900mA
	MDL10: 120V-277V, 1000mA	MDH10: 347V-480V, 1000mA
	MDL12: 120V-277V, 1200mA	MDH12: 347V-480V, 1200mA
	MDL14: 120V-277V, 1400mA	MDH14: 347V-480V, 1400mA

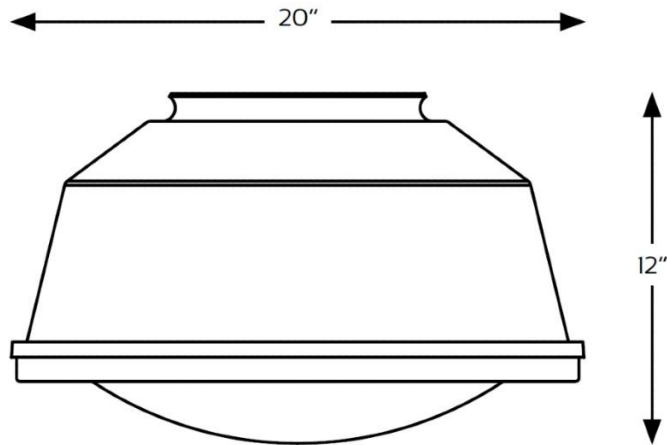
Features

Optional Fixed Dimming Resistor Board **FDRB:** Fixed Dimming Resistor Board

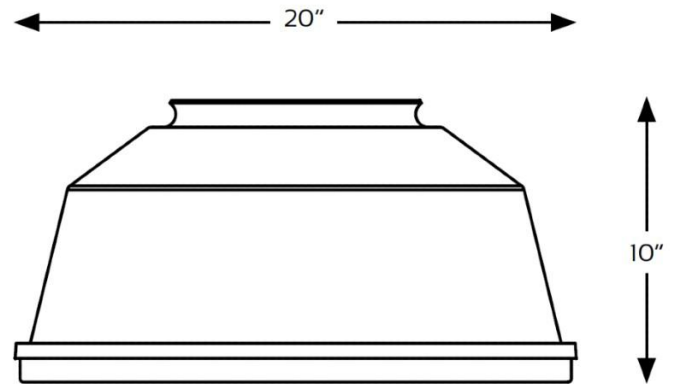
Specifications

Housing	Heavy gauge spun aluminum shade with integral lens frame.
Lens	Materials include Glass and Acrylic, with Flat or Sag profiles. Options include "Softvue" glare-reduction technology.
IP Rating	IP66 rated
LEDs	<p>The luminaire shall use high output, high brightness LED's, consisting of a two piece assembly complete with Chip on Board (COB) LED component and COB holder frame. The LEDs shall be 100% recyclable; not contain lead, mercury or any other hazardous substances and shall be RoHS compliant. Lumen maintenance shall be determined in accordance with IESNA TM-21, based on LED manufacturer LM-80 test data of no less than 6,000 hours and in-situ testing of the luminaire by an NVLAP accredited Energy Efficient Lighting Products lab. The high-performance white LEDs will have a predicted lumen depreciation of approximately 100,000 hours with greater than 70% of initial output at 25°C. The High Brightness, High Output LED's shall be 4000K (2700K, 3000K, 3500K or 5000K option) correlated color temperature (CCT) with a 70 (minimum) color rendering index (CRI). Consult factory for custom color CCT. The luminaire shall have a minimum _____ (see table) delivered initial lumen rating when operated at steady state with an average ambient temperature of 25°C (77°F).</p> <p>CCT Lumen Derate Values from 4,000K</p> <p>2,700K (80+ CRI)=.89 3,000K (70+ CRI)=.97 3,500K (80+ CRI)=.93 5,000K (70+ CRI)=1.01</p>
Optics	The luminaire shall be provided with individual, refractor type optics applied to each LED. The luminaire shall provide Type ____ (2, 3, 4 or 5) light distribution per the IESNA classifications. Testing shall be done in accordance with IESNA LM-79.
Electronic Driver	The LED driver shall be securely mounted inside the fixture, for optimized performance and longevity and shall be U.L. Recognized. It shall be supplied with a quick-disconnect electrical connector on the power supply, providing easy power connections and fixture installation. It shall have overload, overheat and short circuit protection, and have a DC voltage output, constant current design, 50/60HZ. It shall be supplied with line-ground, line-neutral and neutral-ground electrical surge protection in accordance with IEEE/ANSI C62.41.2 guidelines. It shall be a high efficiency driver with a THD less than 20% and a high power factor greater than .9. It shall be dimming capable using a 0-10v signal, consult factory for more information.
FDRB	10-step field adjustable dimming board. Includes step dimming options from 25%-100%. The unit is conformal coated and UL recognized for use in damp locations.
Finish	6 Stage Polyester Powdercoat paint system.
Traditional Finishes	Traditional paint finishes are available in Sternberg Lighting's Traditional product line. A range of colors help accent the decorative elements on the product. Finishes are available in textured or smooth.
Warranty	7-year limited warranty (See Website for Terms and Conditions.)

Dimensions



1940-SG



1940-FG

Lumen Chart(s)

Model #	T2 DELIVERED LUMENS	BUG	EFFICACY (LPW)	T3 DELIVERED LUMENS	BUG	EFFICACY (LPW)	T4 DELIVERED LUMENS	BUG	EFFICACY (LPW)	T5 DELIVERED LUMENS	BUG	EFFICACY (LPW)	WATTAGE
2L40T_-MDL14	17445	B3U0G3	111.8	17370	B3U0G3	111.3	17580	B3U0G2	112.7	18050	B4U0G2	115.7	156
2L30T_-MDL14	17000	B3U0G3	109.0	16925	B3U0G3	108.5	17130	B3U0G2	109.8	17590	B4U0G2	112.8	156
2L27T_-MDL14	15445	B3U0G3	99.0	15380	B3U0G3	98.6	15565	B3U0G2	99.8	15980	B4U0G2	102.4	156
2L40T_-MDL12	15370	B3U0G3	115.6	15275	B3U0G3	114.8	15505	B3U0G2	116.6	15880	B4U0G2	119.4	133
2L30T_-MDL12	14980	B3U0G3	112.6	14885	B3U0G3	111.9	15110	B3U0G2	113.6	15475	B4U0G2	116.4	133
2L27T_-MDL12	13610	B3U0G3	102.3	13525	B3U0G3	101.7	13725	B3U0G2	103.2	14060	B4U0G2	105.7	133
2L40T_-MDL10	13130	B3U0G3	118.3	13045	B3U0G3	117.5	13230	B3U0G2	119.2	13560	B3U0G2	122.2	111
2L30T_-MDL10	12795	B3U0G3	115.3	12715	B3U0G3	114.5	12895	B3U0G2	116.2	13215	B3U0G2	119.1	111
2L27T_-MDL10	11625	B3U0G3	104.7	11550	B3U0G3	104.1	11715	B3U0G2	105.5	12005	B3U0G2	108.2	111
2L40T_-MDL08	10700	B2U0G2	121.6	10655	B2U0G2	121.1	10805	B2U0G2	122.8	11065	B3U0G2	125.7	88
2L30T_-MDL08	10425	B2U0G2	118.5	10385	B2U0G2	118.0	10530	B2U0G2	119.7	10785	B3U0G2	122.6	88
2L27T_-MDL08	9475	B2U0G2	107.7	9435	B2U0G2	107.2	9565	B2U0G2	108.7	9795	B3U0G2	111.3	88
1L40T_-MDL12	7880	B2U0G2	112.6	7825	B2U0G2	111.8	7850	B2U0G1	112.1	8170	B3U0G1	116.7	70
1L30T_-MDL12	7680	B2U0G2	109.7	7625	B2U0G2	108.9	7650	B2U0G1	109.3	7960	B3U0G1	113.7	70
1L27T_-MDL12	6975	B2U0G2	99.6	6930	B2U0G2	99.0	6950	B2U0G1	99.3	7235	B3U0G1	103.4	70
1L40T_-MDL09	6400	B2U0G2	118.5	6345	B2U0G2	117.5	6370	B2U0G1	118.0	6630	B3U0G1	122.8	54
1L30T_-MDL09	6235	B2U0G2	115.5	6185	B2U0G2	114.5	6210	B2U0G1	115.0	6460	B3U0G1	119.6	54
1L27T_-MDL09	5665	B2U0G2	104.9	5620	B2U0G2	104.1	5640	B2U0G1	104.4	5870	B3U0G1	108.7	54
1L40T_-MDL06	4350	B1U0G1	120.8	4315	B1U0G1	119.9	4330	B1U0G1	120.3	4505	B2U0G1	125.1	36
1L30T_-MDL06	4240	B1U0G1	117.8	4205	B1U0G1	116.8	4220	B1U0G1	117.2	4390	B2U0G1	121.9	36
1L27T_-MDL06	3850	B1U0G1	106.9	3820	B1U0G1	106.1	3835	B1U0G1	106.5	3990	B2U0G1	110.8	36

How to order

Series	Generation	LED	CCT - Color Temperature (K)	Distribution Type	Driver	Lens	Optional Fixed Dimming Resistor Board	Finish ⁽⁴⁾									
LED-1940 Glenview LED Conversion Kit	GEN1 Pre-2004 - Fitters have an max opening dimension of 8.59" for a conversion kit with a 8" collar	1L 1 LED	27 2,700K	T2 Type 2	MDL06 120V-277V, 600mA ⁽¹⁾	SG Sag Glass	FDRB Fixed Dimming Resistor Board	BKT Black Textured									
			30 3,000K		T3 Type 3				MDH06 347V-480V, 600mA ⁽¹⁾	FG Flat Glass	WHT White Textured						
			35 3,500K		T4 Type 4				MDL08 120V-277V, 800mA ⁽²⁾			FSG Frosted Sag Glass	PGT Park Green Textured				
			40 4,000K		T5 Type 5				MDH08 347V-480V, 800mA ⁽²⁾					FFG Frosted Flat Glass	ABZT Architectural Medium Bronze Textured		
			50 5,000K						MDH08 347V-480V, 800mA ⁽²⁾							SV1 Flat Soft Vue Light Diffused Acrylic	
					MDL09 120V-277V, 900mA ⁽¹⁾				SV2 Flat Soft Vue Moderate Diffused Acrylic								DBT Dark Bronze Textured
					MDH09 347V-480V, 900mA ⁽¹⁾												
		MDL10 120V-277V, 1000mA ⁽²⁾	OI Old Iron														
		MDH10 347V-480V, 1000mA ⁽²⁾		RT Rust													
		MDL12 120V-277V, 1200mA ⁽³⁾	WBR Weathered Brown														
		MDH12 347V-480V, 1200mA ⁽³⁾		CD Cedar													
		MDL14 120V-277V, 1400mA	WBK Weathered Black														
		MDH14 347V-480V, 1400mA		TT Two Tone													
			SI Swedish Iron														
		VG Verde Green															

Notes:

- 1. For 1L only.
- 2. For 2L only.
- 3. For 1L or 2L only.

- 4. Smooth finishes are available upon request.
- 5. Custom colors require upcharge.