

FLIGHT ADAPTORS

INSTALLATION INSTRUCTIONS

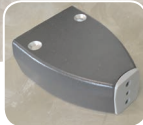
WARNING: TO AVOID FIRE, SHOCK OR DEATH, TURN OFF AND LOCKOUT POWER BEFORE PERFORMING ANY MAINTENANCE.

CAUTION: THIS FIXTURE MUST BE WIRED IN ACCORDANCE WITH THE NATIONAL ELECTRIC CODE AND ALL APPLICABLE LOCAL CODES. PROPER GROUNDING IS REQUIRED. ALL WORK SHOULD BE DONE BY A QUALIFIED ELECTRICIAN.

STEP 1



Unpack adaptor assembly and fixture.



FMA



RP-345

Or with options RP-E or MOT-1:



Handle with care. Recycle the empty packaging.

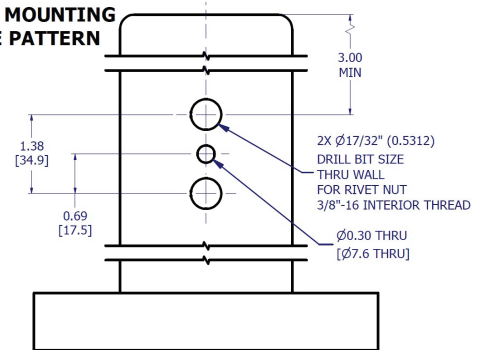
STEP 2



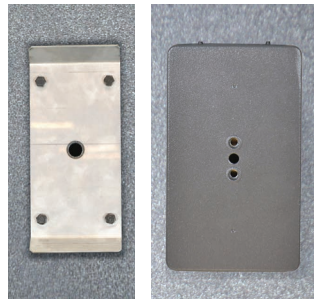
All poles assembled with the rivet nuts in pattern.



POLE MOUNTING HOLE PATTERN



With WM or FMA options:



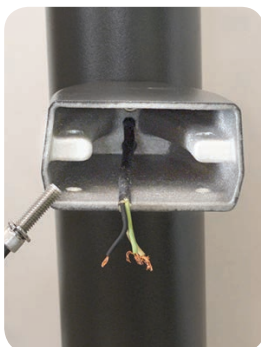
STEP 3

Provided wiring.



STEP 4

Secure adaptor onto pole assembly with the two screws and washers provided.



With options:

R-PE



MOT-1



SternbergLighting

ESTABLISHED 1923 / EMPLOYEE OWNED

800-621-3376
555 Lawrence Ave., Roselle, IL 60172
info@sternberglighting.com
www.sternberglighting.com

7/16 STERNBERG LIGHTING. ALL RIGHTS RESERVED. PRINTED IN THE USA.

⚠ WARNING: TO AVOID FIRE, SHOCK OR DEATH, TURN OFF AND LOCKOUT POWER BEFORE PERFORMING ANY MAINTENANCE.

⚠ CAUTION: THIS FIXTURE MUST BE WIRED IN ACCORDANCE WITH THE NATIONAL ELECTRIC CODE AND ALL APPLICABLE LOCAL CODES. PROPER GROUNDING IS REQUIRED. ALL WORK SHOULD BE DONE BY A QUALIFIED ELECTRICIAN.

STEP 5

Connect supply wires to the fixture assembly.
Complete the installation of the fixture.



With options:

MOT-1



R-PE



FINAL VIEW



With options:

MOT-1



R-PE



SternbergLighting

ESTABLISHED 1923 / EMPLOYEE OWNED

800-621-3376
555 Lawrence Ave., Roselle, IL 60172
info@sternberglighting.com
www.sternberglighting.com