



# FL530 FLIGHT SERIES

LED

EPA  
0.27 (ft<sup>2</sup>)  
WEIGHT  
12 LBS

7 YEAR  
WARRANTY

LUMEN  
RANGE  
3,885 to  
6,195

LIFE SPAN  
L70  
MINIMUM  
100,000  
HOURS

UL  
LISTED

CLICK  
FOR FAQ's

IP RATING  
IP 65

JOB NAME

FIXTURE TYPE

MEMO

## BUILD A PART NUMBER

ORDERING EXAMPLE: **2A-FL530-1L40T5-MDL10-SV2-R-PE-FHD-RP345/RSS12F400/UBKT**

Mounting Config.	Fixture	LED	CCT	Type	Driver	Lens	Optional Control Receptacle	Optional Control	Optional Motion Sensor	Optional Fuse	Optional House Side Shield	Optional Adapter	Arm See Arm Spec Sheets	Pole See Pole Spec Sheets	Finish

### Mounting Configuration

[\(Click here to link to mounting configuration specification page\)](#)

- 1W<sup>1</sup> • 2A90 • 4A
- 1A • 3A • 1AM
- 2A • 3A90 • 2AM

W = Wall Mount A = Arm Mount AM = Arm Mid-Mount

<sup>1</sup>Requires optional FMA or FOIS arm.

### Fixture

- FL530

### LED

- 1L

### CCT - Color Temperature (K)

- 27(00) • 30(00) • 35(00) • 40(00) • 50(00)

### Type

- T5

### Driver

- MDL07 (120V-277V, 700mA)
- MDL10 (120V-277V, 1000mA)
- MDH07 (347V-480V, 700mA)
- MDH10 (347V-480V, 1000mA)

### Lens

- SV2 (Flat Soft Vue Moderate Diffuse Acrylic)

### Options [\(Click here to view accessories sheet\)](#)

- R<sup>2</sup> 3-Pin control receptacle only
- R5<sup>2</sup> 5-Pin control receptacle only
- R7<sup>2</sup> 7-Pin control receptacle only
- PE<sup>3</sup> Twist-Lock Photocontrol (120v-277v)
- PE3<sup>3</sup> Twist-Lock Photocontrol (347v)
- PE4<sup>3</sup> Twist-Lock Photocontrol (480v)
- SC<sup>3</sup> Shorting Cap
- MOTI<sup>4</sup> 360° lens, maximum coverage 40' diameter from 20' height
- MOT2<sup>4</sup> 360° lens, maximum coverage 70' diameter from 20' height
- FHD<sup>5</sup> Double Fuse and Holder
- HSS 120° House Side Shield
- RP345 Round Pole Adapter for 3", 4" or 5" diameter pole shafts

- MA 2-3/8" Mast Arm Adapter
- FMA Flat Mount Adapter

<sup>2</sup>Requires RP345, FMA, 1W-FOIS or Post Cap.

<sup>3</sup>Requires control receptacle

<sup>4</sup>Requires extension casting or sweep arm. (RP345, FMA or FOIS)

<sup>5</sup>Ships loose for installation in base.

### Arms

- FOIS Small Swept Arm

### Pole [\(Click here to link to pole specification page\)](#)

See Pole specification sheets.

### Finish [\(Click here to view paint finish sheet\)](#)

#### Standard Urban Finishes

- UGMT Urban Gun Metal Textured
- UGM Urban Gun Metal Matte
- UBT Urban Bronze Textured
- UB Urban Bronze Matte
- USLT Urban Silver Textured
- USL Urban Silver Matte
- UWHT Urban White Textured
- UWH Urban White Matte
- BKT Black Textured

#### Custom Urban Finishes<sup>6</sup>

- CM Custom Match

<sup>6</sup>Custom colors require upcharge.

## Specifications

### Fixture

The FL530 Flight luminaire is a 14" diameter Die Cast constructed luminaire with a single inverted mount COB optic. Photometric performance is achieved by a segmented reflector system that will deliver low glare illumination through its SoftVue™ lens system. The single electronic driver will power the COB delivering better than 80% efficacy. The high efficiency Heat pipe thermal management system ensures a service life of greater than 100,000 hours based on L-70. The luminaire shall be UL listed in US and Canada.

### LED's

The luminaire shall use high output, high brightness LED's. The LED's and printed circuit boards shall be environmentally friendly and 100% recyclable, they shall also be protected from moisture and corrosion by a conformal coating of 1 to 3 mils. They shall not contain lead, mercury or any other hazardous substances and shall be RoHS compliant. The LED life rating data shall be determined in accordance with IESNA LM-80. The High Performance white LED's will have a minimum life expectancy of approximately 100,000 hours with not less than 70% of original brightness (lumen maintenance), rated at 25°C. The High Brightness, High Output LED's shall be 4000K (2700K, 3000K, 3500K or 5000K option) color temperature with a minimum of 70 CRI. Consult factory for custom color CCT. The luminaire shall have a minimum \_\_\_\_\_ (see table) delivered initial lumen rating when operated at steady state with an average ambient temperature of 25°C (77°F).

### Optics

The optical system shall consist of a multi-piece segmented optical image duplicating system using reflector pieces of polished Alzak™, Hammertone aluminum, or a combination of the two. Each will surround the COB light emitter. When paired with Sternberg's SoftVue™ lens system unparallelled glare mitigation is achieved. Heat pipe technology effectively removes thermal stress on the electronic components by transmitting thermal energy through the liquid filled system and away from sensitive component. Excess heat is transmitted to the outside atmosphere via heat pipe and finned heat sync assembly integrally mounted to the luminaire optical system. IES distribution pattern of type 5 will be achieved.

### Electronic Driver

The LED driver shall be U.L. Recognized. It shall be securely mounted inside the fixture, for optimized performance and longevity. It shall be supplied with a quick-disconnect electrical connector on the power supply, providing easy

*See next page*



# SternbergLighting

ESTABLISHED 1923

800-621-3376  
555 Lawrence Ave., Roselle, IL 60172  
contactus@sternberglighting.com  
www.sternberglighting.com

# FL530 FLIGHT SERIES

LED

power connections and fixture installation. It shall have overload, overheat and short circuit protection, and have a DC voltage output, constant current design, 50/60HZ. It shall be supplied with line-ground, line-neutral and neutral-ground electrical surge protection in accordance with IEEE/ANSI C62.41.2 guidelines. It shall be a high efficiency driver with a THD less than 20% and a high power factor greater than .9. It shall be dimming capable using a 0-10v signal, consult factory for more information.

## Photocontrols

**Twist-Lock Style:** The photocontrol shall be mounted externally on the fixture and pre-wired to driver. The twist lock type photocontrol is instant on with a 3-6 second turn off, and shall turn on at 1.5 footcandles with a turn-off at 2-3 footcandles. Photocontrol is 120-277 volt and warranted for 6 years.

## Warranty

Seven-year limited warranty. See product and finish warranty guide for details.

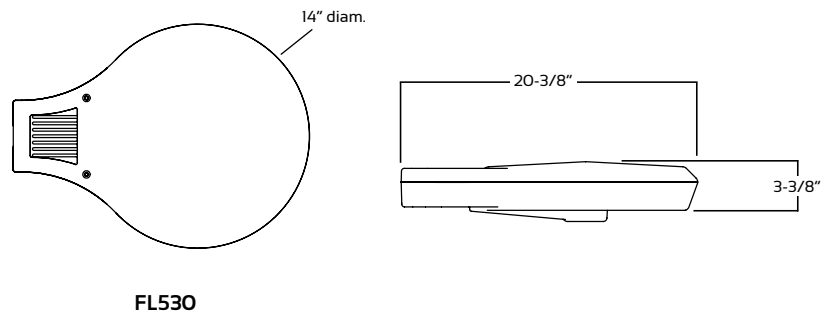
## Finish

Refer to website for details.

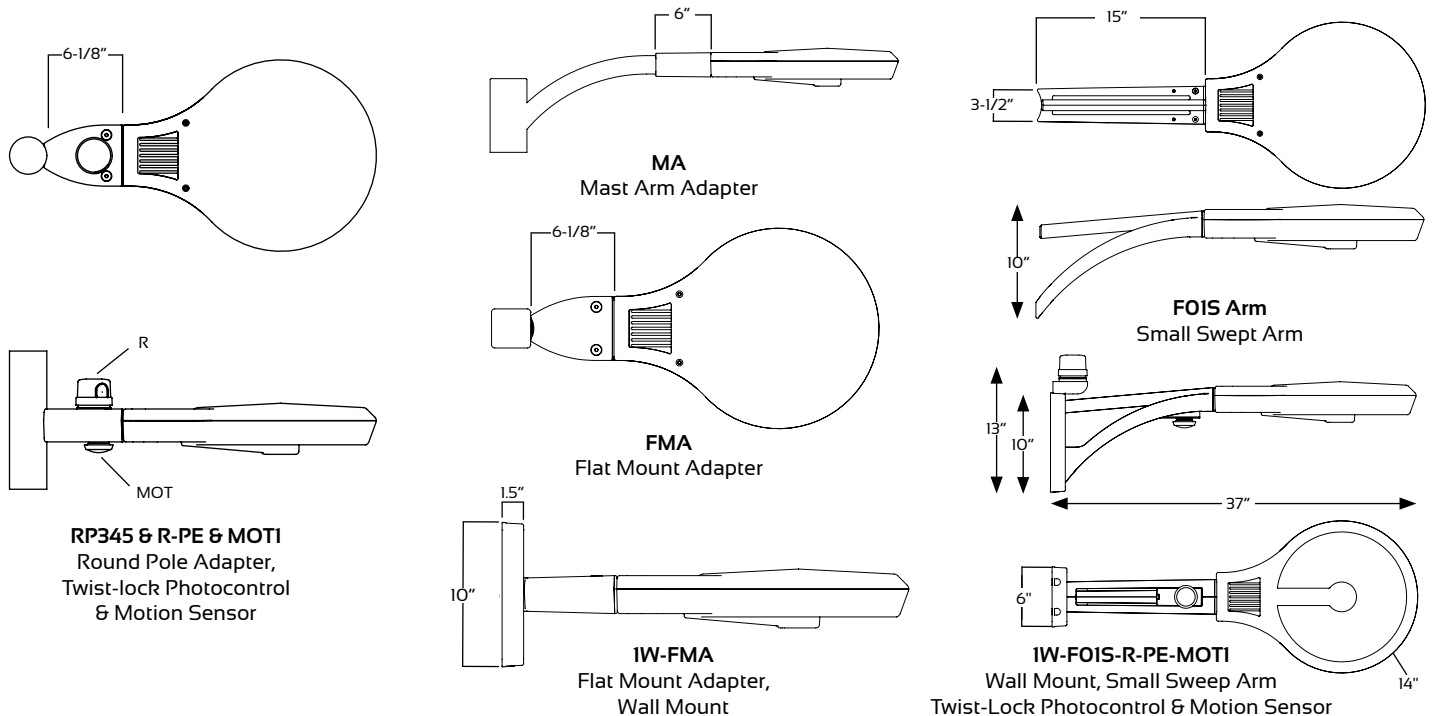
## Performance

MODEL #	T5 LUMENS	BUG	EFFICACY (LPW)	WATTS
FL530-1L40T5-MDL10	6195	B2U0G2	99.9	62
FL530-1L30T5-MDL10	6035	B2U0G2	97.3	62
FL530-1L27T5-MDL10	5485	B2U0G2	88.5	62
FL530-1L40T5-MDL07	4390	B2U0G2	107.1	41
FL530-1L30T5-MDL07	4280	B2U0G2	104.4	41
FL530-1L27T5-MDL07	3885	B2U0G2	94.8	41

## Fixtures



## Options



**SternbergLighting**

ESTABLISHED 1923

800-621-3376  
555 Lawrence Ave., Roselle, IL 60172  
contactus@sternberglighting.com  
www.sternberglighting.com

9/22 STERNBERG LIGHTING. ALL RIGHTS RESERVED. PRINTED IN THE USA.