



1340 BOARDWALK SERIES

HID

EPA
0.92 (ft²)
WEIGHT
20 LBS

5 YEAR
WARRANTY

UL
LISTED

CLICK
FOR FAQ's

JOB NAME _____

FIXTURE TYPE _____

MEMO _____

BUILD A PART NUMBER

ORDERING EXAMPLE: **2A-1340-686-100HPS120-MED-WA-PEC-FHS/6236PM/3908T4/FCC/BKT**

Mounting Config.	Fixture	Fitter	Ballast	Volts	Socket	Optic	Lens	Option Photocontrol	Option Fuse	Option House Side Shield	Arm See Arm Spec Sheets	Pole See Pole Spec Sheets	Finish

Mounting Configuration

(Click here to link to mounting configuration specification page)

- IW • 2A90 • 4A • CH44¹
- PT • 2APT • 4APT • SH44¹
- 1A • 3A • 1AM
- 1APT • 3A90 • 2AM
- 2A • 3APT • 450PB

W = Wall Mount PT = Post Top APT = Post Top Arm Mid-Mount
A = Arm Mount AM = Arm Mid-Mount PB = Pier Base
SH = Stem Hung CH = Chain Hung

¹ Include overall drop length in inches after designation for Stem/Chain application (IE: CH44-48").

Fixture

- 1340 • 1340F

Fitter

- 686 • 508

Ballast^{2,3}

- 35HPS⁴ • 50MHP • 32PLT
- 50HPS • 70MHP • 42PLT
- 70HPS • 100MHP • INCAND
- 100HPS • 150MHP (150w MAX)
- 150HPS • 26PLT

² Medium base sockets standard. 4-pin for CFL

³ Metal halide systems are pulse start.

⁴ 5HPS is 120 volt only.

Volts

- 120 • 208 • 240 • 277 • 347 • 480

Socket

- MED • MOG • 4P (4-Pin)

Optic

- HSS

Lens (White, Red, Blue and Frosted)

- WA (White Acrylic) • RA (Red Acrylic)
- BA (Blue Acrylic) • FA (Frosted Acrylic)
- WP (White Poly) • RP (Red Poly)
- BP (Blue Poly) • FP (Frosted Poly)

Options

- PEC Electronic Photocontrol (120V-277V)
- PEC4 Electronic Photocontrol (480V)
- FHS⁵ Single Fuse & Holder (120V, 277V & 347V)
- FHD⁵ Dual Fuse & Holder (208V, 240V & 480V)
- HSS 120° House Side Shield

⁵ Ships loose for installation in base.

Arm (Click here to link to arm specification page)

See Arms & Wall Brackets specification sheets.

- 478 • 55L • 579 • TASC
- 480 • 6236 • TA

Pole (Click here to link to pole specification page)

See Pole specification sheets.

Finish (Click here to view paint finish sheet)

Standard Finishes⁶

- BKT Black Textured
- WHT White Textured
- PGT Park Green Textured
- ABZT Architectural Medium Bronze Textured
- DBT Dark Bronze Textured

⁶ Smooth finishes are available upon request

Custom Finishes⁷

- CM Custom Match
- OI Old Iron
- RT Rust
- WBR Weathered Brown
- CD Cedar
- WBK Weathered Black
- TT Two Tone

⁷ Custom colors require upcharge.

Sternberg Select Finishes

- VG Verde Green
- SI Swedish Iron
- OWGT Old World Gray Textured

Specifications

Fixture

The 1340 fixture shall be 18" wide and the overall height shall be 28-1/2". The basket assembly shall be made of 356 cast aluminum alloy having an 18" diameter ring with 8 curved

ribs cradling the lower portion of the globe. It will be made of vandal resistant polycarbonate or dent resistant acrylic. Globes shall be available in the following colors: frosted, white, red or blue. The Luminaire shall be UL listed in US and Canada.

Fitter

The fitter shall be heavy wall cast aluminum, 356 alloy for high tensile strength. It shall have an 8-1/2" inside diameter opening to attach to the 8" neck of the acorn globe. When ordered with a Sternberg aluminum pole, the fitter shall be welded to the pole top or tenon for safety and to ensure the fixture will be plumb, secure and level over the life of the installation. The fitter shall have a one-piece ring bug gasket to resist insect penetration into lamp assembly.

Electrical

HID ballasts shall be high power factor with lamp starting down to -30 degrees C. Medium base and mogul base porcelain sockets are 4KV rated. The ballast/socket assembly shall be pre-wired when ballast is located in the fitter. Ballasts shall be DOE EISA compliant.

Optical Options

House Side Shield shall be an additional optic used to block 120° of light in any one direction.

Photocontrols

Button Style: The photocontrol shall be mounted on the fixture and pre-wired to the ballast. The electronic button type photocontrol is instant on with a 5-10 second turn off, and shall turn on at 1.5 footcandles with a turn-off at 2-3 footcandles. Photocontrol is 120-277 volt and warranted for 6 years. See pole spec sheet for pole mounted version.

Warranty

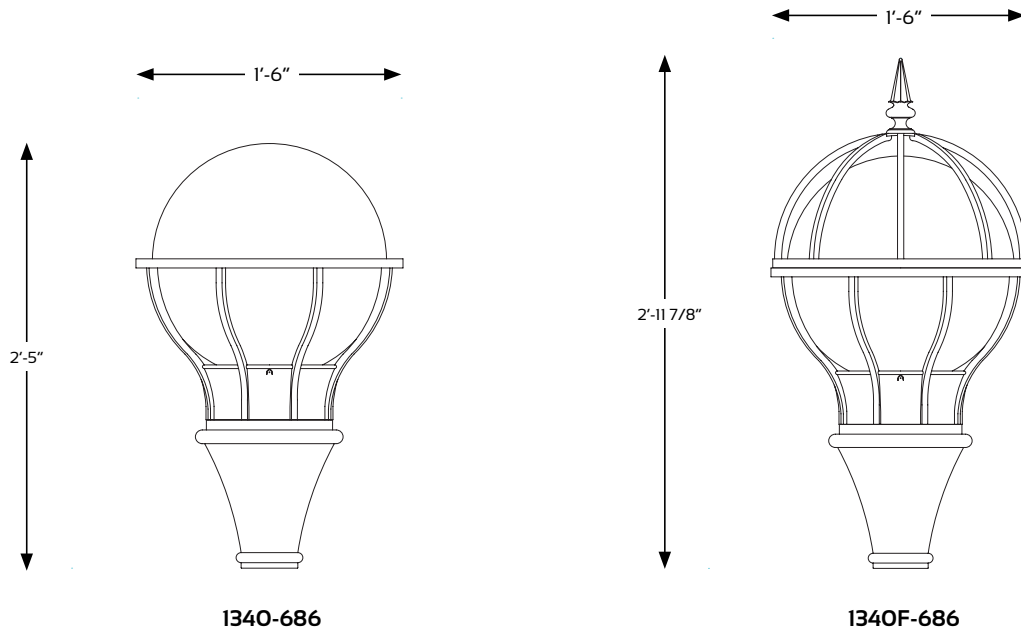
Five-year limited warranty. See product and finish warranty guide for details.

Finish

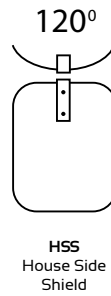
Refer to website for details.

See next page

Fixtures



Optical Systems



Fitters

