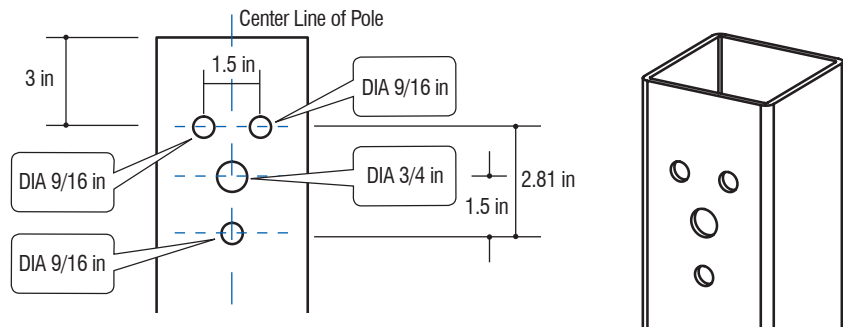


**WARNING:** TO AVOID FIRE, SHOCK OR DEATH, TURN OFF AND LOCKOUT POWER BEFORE PERFORMING ANY MAINTENANCE.

**CAUTION:** THIS FIXTURE MUST BE WIRED IN ACCORDANCE WITH THE NATIONAL ELECTRIC CODE AND ALL APPLICABLE LOCAL CODES. PROPER GROUNDING IS REQUIRED. ALL WORK SHOULD BE DONE BY A QUALIFIED ELECTRICIAN.

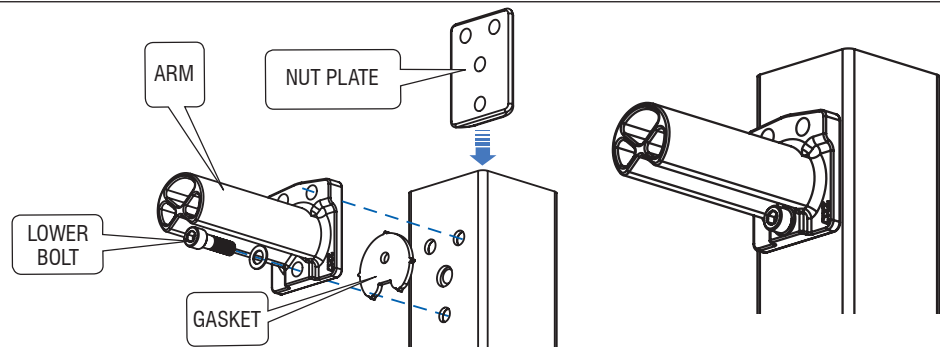
### STEP 1

Drill holes as shown.  
Nut plate could be used as template.  
Keep the pattern symmetrical about the centerline.  
Maintain orientation as shown.



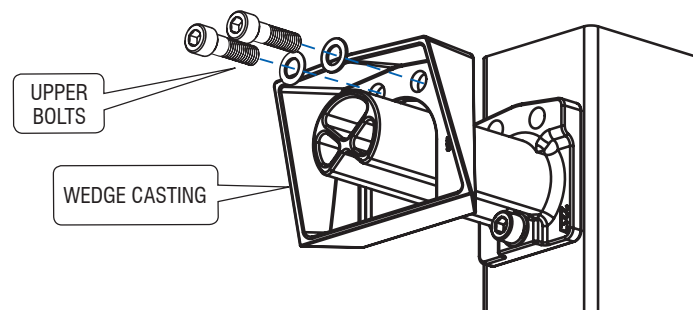
### STEP 2

Start by installing the lower bolt with washer and arm and gasket. Thread into nut plate but only finger-tight.



### STEP 3

Install the upper bolts and washer, clamping the wedge casting to the nut plate.  
Make sure wedge casting and arm are aligned, then tighten all bolts.



### STEP 4

Route the supply wires through the arm.  
Follow the fixture installation instructions.

