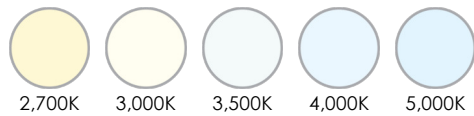


Project Name \_\_\_\_\_ Qty \_\_\_\_\_

Type \_\_\_\_\_ Catalog / Part Number \_\_\_\_\_



**CCT - Color Temperature (K)**



**7 Year Warranty**



**IP Rating**



**Certifications**



**Description**

The 1930 series is a decorative pendant luminaire which consists of a decorative cast aluminum fitter, and optional heavy gauge spun aluminum shade with integral lens frame. The optical enclosure is sealed against moisture and dust penetration.

**Features**

<b>Mounting Configuration</b>	<b>1W:</b> Wall Mount	<b>1A:</b> 1 Arm Mount
	<b>2A:</b> 2 Arm Mount @ 180°	<b>2A90:</b> 2 Arm Mount @ 90°
	<b>3A:</b> 3 Arms @ 120°	<b>3A90:</b> 3 Arms @ 90°
	<b>4A:</b> 4 Arms @ 90°	<b>1AM:</b> 1 Arm Mid-Mount
	<b>2AM:</b> 2 Arm Mid-Mount @ 180°	<b>SH44:</b> Stem Hung
	<b>CH44:</b> Chain Hung	<b>CAT:</b> CAT Catenary

<b>Optional Control Receptacle</b>	<b>R7:</b> 7-Pin control receptacle only
<b>Optional Control</b>	<b>PE:</b> Twist-Lock Photocontrol (120V-277V)
	<b>PE4:</b> Twist-Lock Photocontrol (347V-480V)
	<b>SC:</b> Shorting Cap
	<b>PEC:</b> Electronic Button Photocontrol (120V-277V) <b>PEC4:</b> Electronic Button Photocontrol (480V)
<b>Optional Fuse</b>	<b>FHD:</b> Double Fuse and Holder
<b>Optional Hangstraight</b>	<b>HSHS:</b> Standard Horizontal Hangstraight, Spike Finial
	<b>HSHN:</b> Standard Horizontal Hangstraight, No Finial
	<b>HSHB:</b> Standard Horizontal Hangstraight, Ball Finial
	<b>EZ:</b> Vertical Hangstraight, Large, "EZ" Mount
<b>Optional House Side Shield</b>	<b>HSS:</b> 120° House Side Shield
<b>Optional Fixed Dimming Resistor Board</b>	<b>FDRB:</b> Fixed Dimming Resistor Board

**Physical**

<b>Fixture</b>	<b>1930LED:</b> 1930LED	
<b>Shade</b>	<b>RLM24:</b> RLM24 Park Ridge	<b>RLM32:</b> RLM32

<b>Lens</b>	<b>A:</b> Acrylic Clear Teardrop <b>P:</b> Poly Clear Teardrop	
<b>Finish</b>	<b>BKT:</b> Black Textured <b>PGT:</b> Park Green Textured  <b>DBT:</b> Dark Bronze Textured <b>OI:</b> Old Iron <b>WBR:</b> Weathered Brown <b>WBK:</b> Weathered Black <b>VG:</b> Verde Green <b>OWGT:</b> Old World Gray Textured	<b>WHT:</b> White Textured <b>ABZT:</b> Architectural Medium Bronze Textured <b>CM:</b> Custom Match <b>RT:</b> Rust <b>CD:</b> Cedar <b>TT:</b> Two Tone <b>SI:</b> Swedish Iron

**Light Source**

<b>LED</b>	<b>1L:</b> 1 LED	<b>2L:</b> 2 LEDs
<b>CCT - Color Temperature (K)</b>	<b>27:</b> 2,700K <b>35:</b> 3,500K <b>50:</b> 5,000K	<b>30:</b> 3,000K <b>40:</b> 4,000K
<b>Distribution Type</b>	<b>T2:</b> Type 2 <b>T4:</b> Type 4	<b>T3:</b> Type 3 <b>T5:</b> Type 5

**Electrical and control**

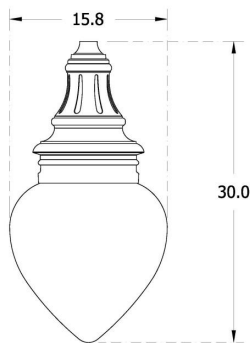
<b>Driver</b>	<b>MDL06:</b> 120V-277V, 600mA <b>MDL08:</b> 120V-277V, 800mA <b>MDL09:</b> 120V-277V, 900mA <b>MDL10:</b> 120V-277V, 1000mA <b>MDL12:</b> 120V-277V, 1200mA	<b>MDH06:</b> 347V-480V, 600mA <b>MDH08:</b> 347V-480V, 800mA <b>MDH09:</b> 347V-480V, 900mA <b>MDH10:</b> 347V-480V, 1000mA <b>MDH12:</b> 347V-480V, 1200mA
---------------	--	--

**Specifications**

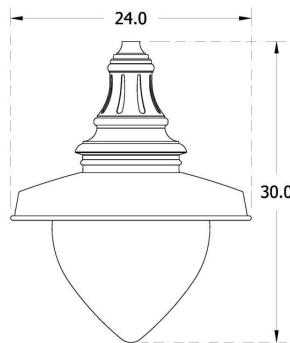
<b>UL Listing</b>	UL listed per UL1598 for Wet Locations and CSA 22.2 No. 250.0 for the US and Canada.
<b>Electronic Driver</b>	The LED driver shall be securely mounted inside the fixture, for optimized performance and longevity and shall be U.L. Recognized. It shall be supplied with a quick-disconnect electrical connector on the power supply, providing easy power connections and fixture installation. It shall have overload, overheat and short circuit protection, and have a DC voltage output, constant current design, 50/60HZ. It shall be supplied with line-ground, line-neutral and neutral-ground electrical surge protection in accordance with IEEE/ANSI C62.41.2 guidelines. It shall be a high efficiency driver with a THD less than 20% and a high power factor greater than .9. It shall be dimming capable using a 0-10v signal, consult factory for more information.
<b>NightSky® Friendly</b>	Night-Sky Compliant with a U0 BUG rating
<b>IP Rating</b>	IP66 rated
<b>Finish</b>	6 Stage Polyester Powdercoat paint system.
<b>Traditional Finishes</b>	Traditional paint finishes are available in Sternberg Lighting's Traditional product line. A range of colors help accent the decorative elements on the product. Finishes are available in textured or smooth.
<b>Sternberg Select Finishes</b>	Available with Sternberg Select Finishes in Verde Green, Swedish Iron, and Old World Gray Textured for a traditional aesthetic.
<b>Warranty</b>	7-year limited warranty (See Website for Terms and Conditions.)

<p><b>LEDs</b></p>	<p>The luminaire shall use high output, high brightness LED's, consisting of a two piece assembly complete with Chip on Board (COB) LED component and COB holder frame. The LEDs shall be 100% recyclable; not contain lead, mercury or any other hazardous substances and shall be RoHS compliant. Lumen maintenance shall be determined in accordance with IESNA TM-21, based on LED manufacturer LM-80 test data of no less than 6,000 hours and in-situ testing of the luminaire by an NVLAP accredited Energy Efficient Lighting Products lab. The high-performance white LEDs will have a predicted lumen depreciation of approximately 100,000 hours with greater than 70% of initial output at 25°C. The High Brightness, High Output LED's shall be 4000K (2700K, 3000K, 3500K or 5000K option) correlated color temperature (CCT) with a 70 (minimum) color rendering index (CRI). Consult factory for custom color CCT. The luminaire shall have a minimum _____ (see table) delivered initial lumen rating when operated at steady state with an average ambient temperature of 25°C (77°F).</p> <p><b>CCT Lumen Derate Values from 4,000K</b></p> <p>2,700K (80+ CRI)=.89          3,000K (70+ CRI)=.97          3,500K (80+ CRI)=.93          5,000K (70+ CRI)=1.01</p>
<p><b>Optics</b></p>	<p>The luminaire shall be provided with individual, refractor type optics applied to each LED. The luminaire shall provide Type ____ (2, 3, 4 or 5) light distribution per the IESNA classifications. Testing shall be done in accordance with IESNA LM-79.</p>
<p><b>Backlight Optical Control</b></p>	<p><b>Internal House Side Shield (HSS):</b> An optional INTERNAL 120° House Side Shield helps control backlight. Spun aluminum panel painted to match fixture.</p>
<p><b>FDRB</b></p>	<p>10-step field adjustable dimming board. Includes step dimming options from 25%-100%. The unit is conformal coated and UL recognized for use in damp locations.</p>
<p><b>Photocontrols</b></p>	<p><b>Button Style:</b> The photocontrol shall be mounted on the fixture and pre-wired to driver. The electronic button type photocontrol is instant on with a 5-10 second turn off, and shall turn on at 1.5 footcandles with a turn-off at 2-3 footcandles. See pole spec sheet for pole mounted version.</p> <p><b>Twist-Lock Style (Hangstraight Mount):</b> The photocontrol shall be mounted externally on the hangstraight and pre-wired to driver. The twist lock type photocontrol is instant on with a 3-6 second turn off, and shall turn on at 1.5 footcandles with a turn-off at 2-3 footcandles.</p>

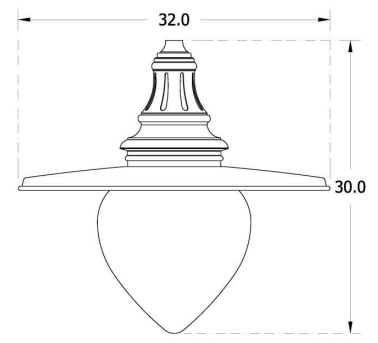
**Dimensions**



1930LED-A



1930LED-RLM24-A



1930LED-RLM32-A

**EPA & Weight Chart**

---

<b>Fixture</b>	1930LED-1L-A	1930LED-2L-A	1930LEDRLM24-1L-A	1930LEDRLM24-2L-A
<b>EPA (FT<sup>2</sup>)</b>	0.96	0.96	1.08	1.08
<b>Weight (LBS)</b>	28.50	29.40	34.79	36.46

<b>Fixture</b>	1930LEDRLM32-1L-A	1930LEDRLM32-2L-A		
<b>EPA (FT<sup>2</sup>)</b>	1.09	1.09		
<b>Weight (LBS)</b>	38.12	39.79		

**Options**

---



Button Photocell (**PEC**)



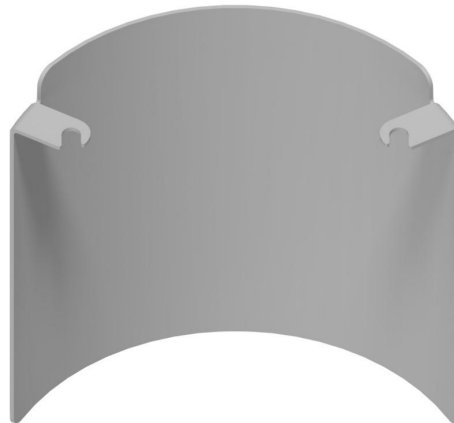
7-Pin NEMA Twist-Lock Receptacle (**R7**)



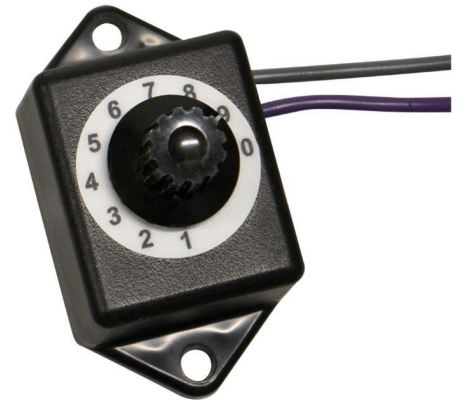
NEMA Twist-Lock Photocell (**PE or PE4**)



Double Fuse Holder & (2) 3A Fuses (**FHD**)



House Side Shield (**HSS**)



Fixed Dimming Resistor Board (**FDRB**)

**Standard Horizontal Hangstraight**

---

To slip fit 4" long by 2-3/8" OD on horizontal tenon



Standard Horizontal Hangstraight, Spike Finial  
(HSHS)



Standard Horizontal Hangstraight, Ball Finial (HSHB)



Standard Horizontal Hangstraight, No Finial (HSHN)

**Vertical Hangstraight**

---



"EZ" Vertical hangstraight (EZ)

**Lumen Chart(s)**

Model #	T2 DELIVERED LUMENS	BUG	EFFICACY (LPW)	T3 DELIVERED LUMENS	BUG	EFFICACY (LPW)	T4 DELIVERED LUMENS	BUG	EFFICACY (LPW)	T5 DELIVERED LUMENS	BUG	EFFICACY (LPW)	WATTAGE
2L40T_-MDL12	17500	B3U4G3	131.6	17680	B3U4G4	132.9	17560	B3U4G3	132.0	17965	B4U3G3	135.1	133
2L30T_-MDL12	17055	B3U4G3	128.2	17230	B3U4G4	129.5	17115	B3U4G3	128.7	17505	B4U3G3	131.6	133
2L27T_-MDL12	15495	B3U4G3	116.5	15655	B3U4G4	117.7	15545	B3U4G3	116.9	15905	B4U3G3	119.6	133
2L40T_-MDL10	14915	B3U4G3	134.4	15150	B3U4G3	136.5	14985	B2U4G3	135.0	15405	B4U3G3	138.8	111
2L30T_-MDL10	14535	B3U4G3	130.9	14765	B3U4G3	133.0	14605	B2U4G3	131.6	15015	B4U3G3	135.3	111
2L27T_-MDL10	13205	B3U4G3	119.0	13415	B3U4G3	120.9	13265	B2U4G3	119.5	13640	B4U3G3	122.9	111
2L40T_-MDL08	12225	B3U4G3	138.9	12345	B3U4G3	140.3	12225	B2U4G3	138.9	12750	B3U3G2	144.9	88
2L30T_-MDL08	11915	B3U4G3	135.4	12030	B3U4G3	136.7	11915	B2U4G3	135.4	12425	B3U3G2	141.2	88
2L27T_-MDL08	10825	B3U4G3	123.0	10930	B3U4G3	124.2	10825	B2U4G3	123.0	11290	B3U3G2	128.3	88
1L40T_-MDL12	8860	B2U3G2	126.6	8800	B2U3G3	125.7	8875	B2U3G2	126.8	9195	B3U3G2	131.4	70
1L30T_-MDL12	8635	B2U3G2	123.4	8575	B2U3G3	122.5	8650	B2U3G2	123.6	8960	B3U3G2	128.0	70
1L27T_-MDL12	7845	B2U3G2	112.1	7790	B2U3G3	111.3	7855	B2U3G2	112.2	8140	B3U3G2	116.3	70
1L40T_-MDL09	7185	B2U3G2	133.1	7145	B2U3G2	132.3	7240	B2U3G2	134.1	7460	B3U3G2	138.1	54
1L30T_-MDL09	7000	B2U3G2	129.6	6965	B2U3G2	129.0	7055	B2U3G2	130.6	7270	B3U3G2	134.6	54
1L27T_-MDL09	6360	B2U3G2	117.8	6325	B2U3G2	117.1	6410	B2U3G2	118.7	6605	B3U3G2	122.3	54
1L40T_-MDL06	4885	B2U3G2	135.7	4855	B2U3G2	134.9	4920	B2U3G2	136.7	5075	B3U3G1	141.0	36
1L30T_-MDL06	4760	B2U3G2	132.2	4730	B2U3G2	131.4	4795	B2U3G2	133.2	4945	B3U3G1	137.4	36
1L27T_-MDL06	4325	B2U3G2	120.1	4300	B2U3G2	119.4	4355	B2U3G2	121.0	4495	B3U3G1	124.9	36

**1930LED-A**

Model #	T2 DELIVERED LUMENS	BUG	EFFICACY (LPW)	T3 DELIVERED LUMENS	BUG	EFFICACY (LPW)	T4 DELIVERED LUMENS	BUG	EFFICACY (LPW)	T5 DELIVERED LUMENS	BUG	EFFICACY (LPW)	WATTAGE
2L40T_-MDL12	17125	B3U3G3	128.8	17370	B3U3G3	130.6	17365	B3U3G3	130.6	18030	B4U3G3	135.6	133
2L30T_-MDL12	16690	B3U3G3	125.5	16925	B3U3G3	127.3	16925	B3U3G3	127.3	17570	B4U3G3	132.1	133
2L27T_-MDL12	15160	B3U3G3	114.0	15380	B3U3G3	115.6	15375	B3U3G3	115.6	15965	B4U3G3	120.0	133
2L40T_-MDL10	14580	B3U3G3	131.4	14890	B3U3G3	134.1	14905	B2U3G3	134.3	15265	B4U3G3	137.5	111
2L30T_-MDL10	14210	B3U3G3	128.0	14510	B3U3G3	130.7	14525	B2U3G3	130.9	14875	B4U3G3	134.0	111
2L27T_-MDL10	12910	B3U3G3	116.3	13185	B3U3G3	118.8	13195	B2U3G3	118.9	13515	B4U3G3	121.8	111
2L40T_-MDL08	11915	B3U3G3	135.4	12200	B3U3G3	138.6	12195	B2U3G3	138.6	12455	B4U3G3	141.5	88
2L30T_-MDL08	11610	B3U3G3	131.9	11890	B3U3G3	135.1	11885	B2U3G3	135.1	12140	B4U3G3	138.0	88
2L27T_-MDL08	10550	B3U3G3	119.9	10800	B3U3G3	122.7	10795	B2U3G3	122.7	11025	B4U3G3	125.3	88
1L40T_-MDL12	8755	B2U3G2	125.1	8825	B3U3G3	126.1	8710	B2U3G2	124.4	9250	B3U3G2	132.1	70
1L30T_-MDL12	8530	B2U3G2	121.9	8600	B3U3G3	122.9	8490	B2U3G2	121.3	9015	B3U3G2	128.8	70
1L27T_-MDL12	7750	B2U3G2	110.7	7815	B3U3G3	111.6	7710	B2U3G2	110.1	8190	B3U3G2	117.0	70
1L40T_-MDL09	7050	B2U3G2	130.6	7170	B2U3G2	132.8	7070	B1U3G2	130.9	7445	B3U3G1	137.9	54
1L30T_-MDL09	6870	B2U3G2	127.2	6985	B2U3G2	129.4	6890	B1U3G2	127.6	7255	B3U3G1	134.4	54
1L27T_-MDL09	6240	B2U3G2	115.6	6350	B2U3G2	117.6	6260	B1U3G2	115.9	6590	B3U3G1	122.0	54
1L40T_-MDL06	4775	B2U3G2	132.6	4835	B2U3G2	134.3	4790	B1U3G1	133.1	5045	B2U3G1	140.1	36
1L30T_-MDL06	4655	B2U3G2	129.3	4710	B2U3G2	130.8	4670	B1U3G1	129.7	4915	B2U3G1	136.5	36
1L27T_-MDL06	4230	B2U3G2	117.5	4280	B2U3G2	118.9	4240	B1U3G1	117.8	4465	B2U3G1	124.0	36

**1930LED-RLM-A**

**How to order**

Mounting Configuration	Overall Drop Length (In Inches) <sup>(1)</sup>	Fixture	Shade <sup>(2)</sup>	LED	CCT - Color Temperature (K)	Distribution Type	Driver	Lens
<b>1W</b> Wall Mount  <b>1A</b> 1 Arm Mount  <b>2A</b> 2 Arm Mount @ 180°  <b>2A90</b> 2 Arm Mount @ 90°  <b>3A</b> 3 Arms @ 120°  <b>3A90</b> 3 Arms @ 90°  <b>4A</b> 4 Arms @ 90°  <b>1AM</b> 1 Arm Mid-Mount  <b>2AM</b> 2 Arm Mid-Mount @ 180°  <b>SH44</b> Stem Hung  <b>CH44</b> Chain Hung  <b>CAT</b> CAT Catenary		<b>1930LED</b> 1930LED	<b>RLM24</b> RLM24 Park Ridge  <b>RLM32</b> RLM32	<b>1L</b> 1 LED  <b>2L</b> 2 LEDs	<b>27</b> 2,700K  <b>30</b> 3,000K  <b>35</b> 3,500K  <b>40</b> 4,000K  <b>50</b> 5,000K	<b>T2</b> Type 2  <b>T3</b> Type 3  <b>T4</b> Type 4  <b>T5</b> Type 5	<b>MDL06</b> 120V-277V, 600mA <sup>[3]</sup>  <b>MDH06</b> 347V-480V, 600mA <sup>[3]</sup>  <b>MDL08</b> 120V-277V, 800mA <sup>[4]</sup>  <b>MDH08</b> 347V-480V, 800mA <sup>[4]</sup>  <b>MDL09</b> 120V-277V, 900mA <sup>[3]</sup>  <b>MDH09</b> 347V-480V, 900mA <sup>[3]</sup>  <b>MDL10</b> 120V-277V, 1000mA <sup>[4]</sup>  <b>MDH10</b> 347V-480V, 1000mA <sup>[4]</sup>  <b>MDL12</b> 120V-277V, 1200mA  <b>MDH12</b> 347V-480V, 1200mA	<b>A</b> Acrylic Clear Teardrop  <b>P</b> Poly Clear Teardrop

**Notes:**

- 1. Required field if Stem or Chain application is selected
- 2. Shade is optional with this fixture.

- 3. For 1L only.
- 4. For 2L only.



**How to order**

Optional Control Receptacle <sup>(5)</sup>	Optional Control	Optional Fuse	Optional Hangstraight	Optional House Side Shield <sup>(9)</sup>	Optional Fixed Dimming Resistor Board <sup>(10)</sup>	Finish <sup>(11) (12)</sup>
<b>R7</b> 7-Pin control receptacle only <sup>(6)</sup>	<b>PE</b> Twist-Lock Photocontrol (120V-277V) <sup>(7)</sup>  <b>PE4</b> Twist-Lock Photocontrol (347V-480V) <sup>(7)</sup>  <b>SC</b> Shorting Cap <sup>(7)</sup>  <b>PEC</b> Electronic Button Photocontrol (120V-277V)  <b>PEC4</b> Electronic Button Photocontrol (480V)	<b>FHD</b> Double Fuse and Holder <sup>(8)</sup>	<b>HSHS</b> Standard Horizontal Hangstraight, Spike Finial  <b>HSHN</b> Standard Horizontal Hangstraight, No Finial  <b>HSHB</b> Standard Horizontal Hangstraight, Ball Finial  <b>EZ</b> Vertical Hangstraight, Large, "EZ" Mount	<b>HSS</b> 120° House Side Shield	<b>FDRB</b> Fixed Dimming Resistor Board	<b>BKT</b> Black Textured  <b>WHT</b> White Textured  <b>PGT</b> Park Green Textured  <b>ABZT</b> Architectural Medium Bronze Textured  <b>DBT</b> Dark Bronze Textured  <b>CM</b> Custom Match  <b>OI</b> Old Iron  <b>RT</b> Rust  <b>WBR</b> Weathered Brown  <b>CD</b> Cedar  <b>WBK</b> Weathered Black  <b>TT</b> Two Tone  <b>VG</b> Verde Green  <b>SI</b> Swedish Iron  <b>OWGT</b> Old World Gray Textured

**Notes:**

- 5. Not for use with FDRB.
- 6. Only available with HSH\_.
- 7. Requires control receptacle.
- 8. Ships loose for installation in base.

- 9. Not for use with T5 optic.
- 10. Not for use with R7.
- 11. Smooth finishes are available upon request.
- 12. Custom colors require upcharge.