



1730LED VILLA SERIES

LED

EPA
1.25 (ft²)
WEIGHT
60 LBS

7 YEAR
WARRANTY

LUMEN
RANGE
1,935 to
12,030

LIFE SPAN
L70
MINIMUM
100,000
HOURS

UL
LISTED

CLICK
FOR FAQ's

JOB NAME _____

FIXTURE TYPE _____

MEMO _____

BUILD A PART NUMBER

ORDERING EXAMPLE: **PT-1730LED-R3-IRND45T5-MDL03-CA-R-PE/3212T4/BKT**

Mounting Config.	Fixture	Fitter	LED	CCT	Type	Driver	Lens	Option Decorative Rings	Option Glow Top	Option Receptacle Control	Option Photocontrol	Option Fuse	Option Hang-straight	Option House Side Shield	Arm See Arm Spec Sheets	Pole See Pole Spec Sheets	Finish

Mounting Configuration

(Click here to view mounting configuration sheet)

- IW • 2A • 3A90 • 1AM • CH44²
- PT • 2A90 • 3APT¹ • 2AM • CAT²
- 1A • 2APT¹ • 4A • 450PB¹
- 1APT¹ • 3A • 4APT¹ • SH44²

W = Wall Mount PT = Post Top APT = Post Top Arm Mid-Mount A = Arm Mount AM = Arm Mid-Mount PB = Pier Base CAT = Catenary SH = Stem Hung CH = Chain Hung

¹ For use with 1730LED only.
² For use with 1730LEDH only.

Fixture

- 1730LED • 1730LEDH

Fitter³

- R3 • R4 • R5

³ Specify fitter for 1730LED only.

LED

- 4AIR • 4ARC • IRND

CCT - Color Temperature (K)

- 45(00) • 35(00) • 27(00)

Type

- T2 • T3 • T3R • T4 • T5

Driver

- MDL03 (120v-277v, 350Ma)
- MDL05 (120v-277v, 525Ma)⁴
- MDH03 (347v-480v, 350Ma)
- MDH05 (347v-480v, 525Ma)⁴

⁴ For use with 4AIR system only.

Lens

- CA (Clear Acrylic)
- WA (White Acrylic)
- SVID (Clear Acrylic exterior lens, Medium diffused internal dome lens)
- SV2D (Clear Acrylic exterior lens, Heavy diffused internal dome lens)

Options (Click here to view accessories sheet)

- AS Angled spinning decorative ring
- FR Three flat cast decorative rings
- GT Glow Top option

- R7⁵ 7-Pin control receptacle only
- PE⁶ Twist-Lock Photocontrol (120v-277v)
- PE3⁶ Twist-Lock Photocontrol (347v)
- PE4⁶ Twist-Lock Photocontrol (480v)
- SC⁶ Shorting Cap
- FHD⁷ Double Fuse and Holder
- HSHS⁸ Standard Horizontal Hangstraight, Spike Finial
- HSHN⁸ Standard Horizontal Hangstraight, No Finial
- HSHB⁸ Standard Horizontal Hangstraight, Ball Finial
- EZ⁸ Vertical Hangstraight, Large, "EZ" Mount
- HSS 120° House Side Shield

⁵ Cannot be used with SH44, CH44, EZ, HSV or CAT.

⁶ Requires control receptacle.

⁷ Ships loose for installation in base.

⁸ For use with 1730LEDH fixture only.

Arm (Click here to link to arm specification page)

See Arms & Wall Brackets specification sheets.

- OM • HM • OL
- VC • VF • VL

Pole (Click here to link to pole specification page)

See Pole specification sheets.

Finish

Standard Urban Finishes

(Click here to view paint finish sheet)

- UGMT Gun Metal Textured
- UGM Gun Metal Matte
- UBT Urban Bronze Textured
- UB Urban Bronze Matte
- USLT Urban Silver Textured
- USL Urban Silver Matte
- UWHT Urban White Textured
- UWH Urban White Matte
- BKT Black Textured

Custom Urban Finishes⁹

- CM Custom Match

⁹ Smooth colors are available upon request.

Specifications

Fixture

The 1730LED Villa Series luminaire is a large scale, dramatic design fixture featuring a tall, cylindrical body made up of a cast aluminum top, round lens and angled aluminum shade. The 1730LED measures 30" wide and the overall height is 32-3/8", also available in a hanging version. The Luminaire shall be UL listed in US and Canada.

Fitter - Standard

The fixture shall be provided with a heavy wall cast aluminum fitter that can accept a 3" OD (R3), 4" OD (R4) or 5" OD (R5) pole or tenon. The end of the fitter shall have four (4) stainless steel allen head screws which secures the connection between the fitter and tenon.

LEDs

The luminaire shall use high output, high brightness LEDs. They shall be mounted in arrays, on printed circuit boards designed to maximize heat transfer to the heat sink surface. The arrays shall be downward facing to minimize up-light. The LEDs and printed circuit boards shall be 100% recyclable, they shall also be protected from moisture and corrosion by a conformal coating of 1 to 3 mils. They shall not contain lead, mercury or any other hazardous substances and shall be RoHS compliant. The LED life rating data shall be determined in accordance with IESNA LM-80. They shall operate in a -40°C (-40°F) to +50°C (122°F) ambient air temperature range. The High Performance white LEDs will have a life expectancy of approximately 100,000 hours with not less than 70% of original brightness (lumen maintenance), rated at 25°C. The High Brightness, High Output LEDs shall be 4500K (3500K or 2700K option) color temperature with a minimum CRI of 70. Consult factory for custom color CCT. The luminaire shall have a minimum _____ (see table) delivered initial lumen rating when operated at steady state with an average ambient temperature of 25°C (77°F).

See next page

1730LED VILLA SERIES



Optics

The luminaire shall be provided with individual, refractor type optics applied to each LED. The luminaire shall provide Type ____ (2, 3, 3R, 4 or 5) light distribution per the IESNA classifications. Testing shall be done in accordance with IESNA LM-79.

Electronic Drivers

The LED driver shall be U.L. Recognized. It shall be securely mounted inside the fixture, for optimized performance and longevity. It shall be supplied with a quick-disconnect electrical connector on the power supply, providing easy power connections and fixture installation. It shall have overload as well as short circuit protection, and have a DC voltage output, constant current design, 50/60HZ. It shall be supplied with line-ground, line-neutral and neutral-ground electrical surge protection in accordance with IEEE/ANSI C62.41.2 guidelines. It shall be dimmable using a 0-10v signal.

For sources over 50w: The driver shall have a minimum efficiency of 90%. The driver shall be rated at full load with THD<20% and a power

factor of greater than 0.90. The driver shall contain over-heat protection which reduces output to less than half rating if the case temperature reaches 85°C.

For sources under 50w: The driver shall have a minimum efficiency of 88%.

Photocontrols

Button Style: On a single assembly the photocontrol shall be mounted on the fixture and pre-wired to driver. On multiple head assembly's the photocontrol shall be mounted in the pole shaft on an access plate. The electronic button type photocontrol is instant on with a 5-10 second turn off, and shall turn on at 1.5 footcandles with a turn-off at 2-3 footcandles. Photocontrol is 120-277 volt and warranted for 6 years.

Twist-Lock Style: The photocontrol shall be mounted externally on the fixture and pre-wired to driver. The twist lock type photocontrol is instant on with a 3-6 second turn off, and shall turn on at 1.5 footcandles with a turn-off at 2-3 footcandles. Photocontrol is 120-277 volt and warranted for 6 years.

Warranty

Seven-year limited warranty. See product and finish warranty guide for details.

Finish

Refer to website for details.

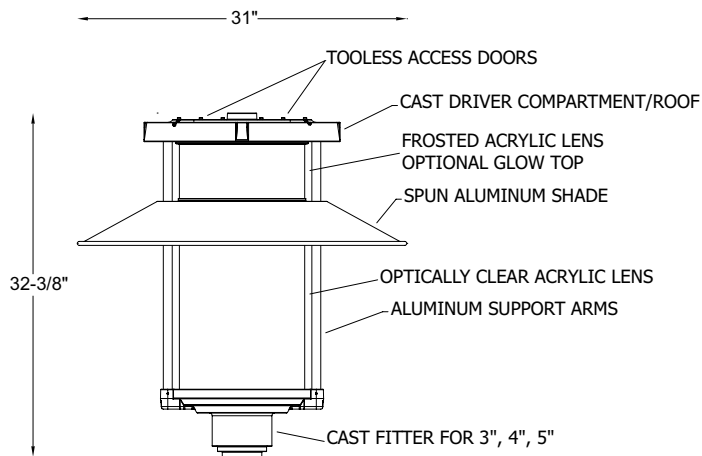
Performance 1730LED (Based on CA Lens)

MODEL #	T2 DELIVERED LUMENS	EFFICACY (LPW)	T3 DELIVERED LUMENS	EFFICACY (LPW)	T3R DELIVERED LUMENS	EFFICACY (LPW)	T4 DELIVERED LUMENS	EFFICACY (LPW)	T5 DELIVERED LUMENS	EFFICACY (LPW)	WATTAGE
4A1R27-MDL05	8615	58.6	9050	61.6	9115	62.0	9385	63.8	9360	63.7	147
4A1R35-MDL05	9835	66.9	10330	70.3	10400	70.7	10710	72.9	10685	72.7	147
4A1R45-MDL05	11050	75.2	11605	78.9	11685	79.5	12030	81.8	12005	81.7	147
4A1R27-MDL03	6315	61.9	6575	64.5	6705	65.7	6820	66.9	6850	67.2	102
4A1R35-MDL03	7205	70.6	7500	73.5	7650	75.0	7785	76.3	7820	76.7	102
4A1R45-MDL03	8100	79.4	8430	82.6	8600	84.3	8745	85.7	8785	86.1	102
4ARC27-MDL03	4530	68.6	4685	71.0	4605	69.8	4805	72.8	4780	72.4	66
4ARC35-MDL03	5165	78.3	5345	81.0	5255	79.6	5485	83.1	5450	82.6	66
4ARC45-MDL03	5805	88.0	6005	91.0	5900	89.4	6160	93.3	6125	92.8	66
1RND27-MDL03	1935	60.5	2015	63.0	2230	69.7	2120	66.3	2195	68.6	32
1RND35-MDL03	2210	69.1	2300	71.9	2545	79.5	2420	75.6	2505	78.3	32
1RND45-MDL03	2480	77.5	2580	80.6	2860	89.4	2720	85.0	2815	88.0	32

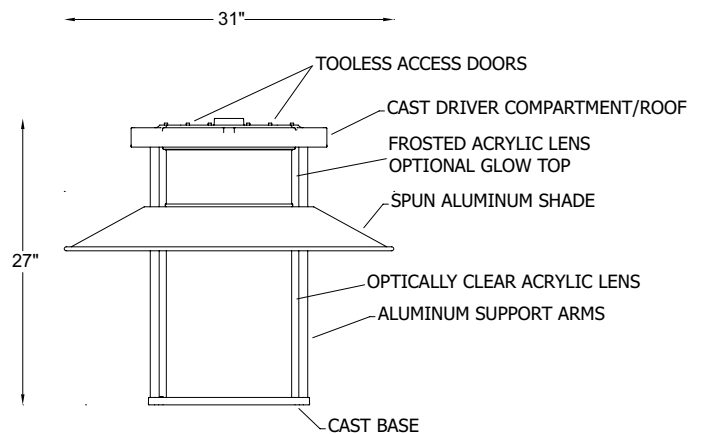
Performance 1730LEDH (Based on CA Lens)

MODEL #	T2 DELIVERED LUMENS	EFFICACY (LPW)	T3 DELIVERED LUMENS	EFFICACY (LPW)	T3R DELIVERED LUMENS	EFFICACY (LPW)	T4 DELIVERED LUMENS	EFFICACY (LPW)	T5 DELIVERED LUMENS	EFFICACY (LPW)	WATTAGE
4A1R27-MDL05	9110	62.0	9575	65.1	9600	65.3	9770	66.5	9870	67.1	147
4A1R35-MDL05	10395	70.7	10925	74.3	10950	74.5	11145	75.8	11260	76.6	147
4A1R45-MDL05	11680	79.5	12275	83.5	12305	83.7	12525	85.2	12655	86.1	147
4A1R27-MDL03	6700	65.7	6970	68.3	7055	69.2	7130	69.9	7245	71.0	102
4A1R35-MDL03	7645	75.0	7950	77.9	8050	78.9	8135	79.8	8265	81.0	102
4A1R45-MDL03	8590	84.2	8935	87.6	9045	88.7	9140	89.6	9290	91.1	102
4ARC27-MDL03	4800	72.7	4945	74.9	4855	73.6	5030	76.2	5045	76.4	66
4ARC35-MDL03	5480	83.0	5640	85.5	5540	83.9	5740	87.0	5755	87.2	66
4ARC45-MDL03	6155	93.3	6340	96.1	6220	94.2	6445	97.7	6470	98.0	66
1RND27-MDL03	2040	63.8	2725	66.4	2350	73.4	2210	69.1	2320	72.5	32
1RND35-MDL03	2330	72.8	2425	75.8	2680	83.8	2520	78.8	2645	82.7	32
1RND45-MDL03	2620	81.9	2125	85.2	3010	94.1	2830	88.4	2970	92.8	32

Fixtures

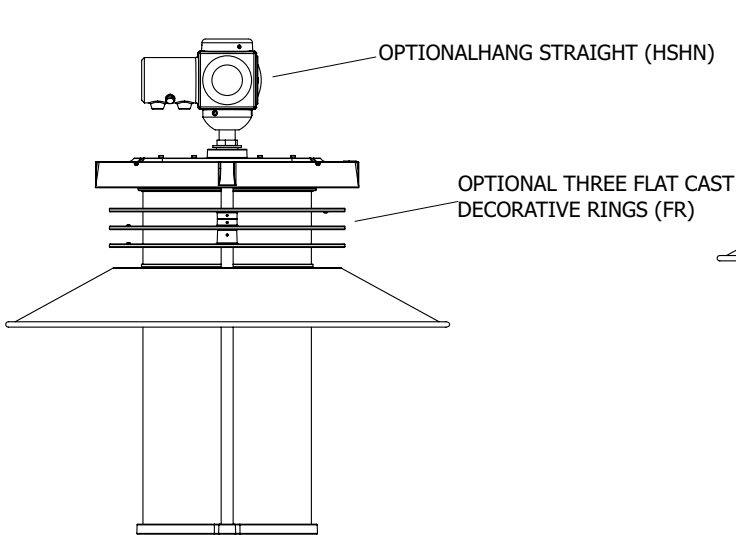


1730LED
"Post Top"

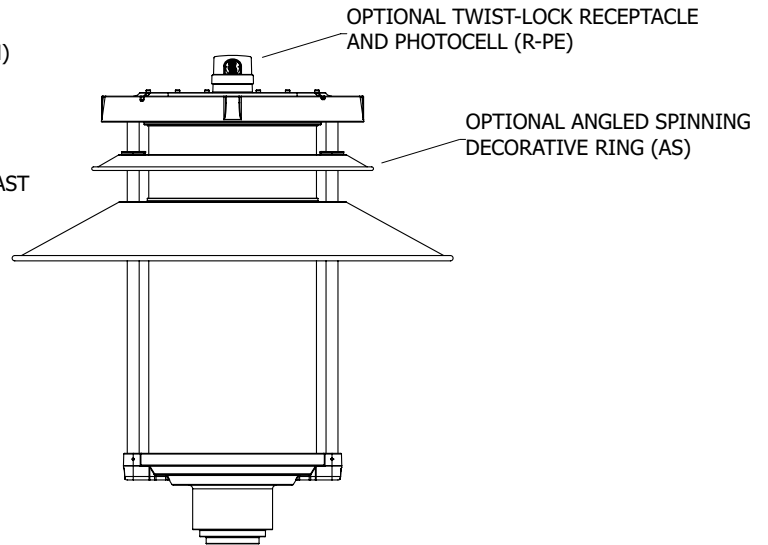


1730LEDH
"Hanging"

Other Options

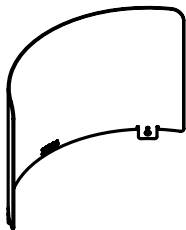


1730LEDH-FR-HSHN
Arm/Hangstraight



1730LED-R3-AS-R-PE
Post Top

Choice of 180° Factory
Installed Integral IHSS
or 180° Field Installed
External HSS



HSS
House Side Shield



SternbergLighting

ESTABLISHED 1923

800-621-3376
555 Lawrence Ave., Roselle, IL 60172
contactus@sternberglighting.com
www.sternberglighting.com