



# SL760IS SOLANA SERIES

intelli**streets**

LED

EPA  
1.3 (ft<sup>2</sup>)  
WEIGHT  
53 LBS

7 YEAR  
WARRANTY

LUMEN  
RANGE  
8,080 to  
19,535

LIFE SPAN  
L70  
MINIMUM  
100,000  
HOURS

UL  
LISTED

CLICK  
FOR FAQ'S

IP RATING  
IP 66

JOB NAME \_\_\_\_\_

FIXTURE TYPE \_\_\_\_\_

MEMO \_\_\_\_\_

## BUILD A PART NUMBER

ORDERING EXAMPLE: **PT-SL760IS-24L40T5-MDLO18-SV1-R7-PE-FHD/RSA18T500-P3-SL900-5/UGMT**

Mounting Config.	Fixture	LED	CCT	Type	Driver	Lens	Option Fuse	Option House Side Shield	Arm See Arm Spec Sheets	Pole See Pole Spec Sheets	Finish

### Mounting Configuration

(Click here to link to mounting configuration specification page)

- IW
- 2A
- 3A90
- 1AM
- PT
- 2A90
- 3APT
- 2AM
- 1A
- 2APT
- 4A
- 1APT
- 3A
- 4APT

W = Wall Mount A = Arm Mount AM = Arm Mid-Mount

### Fixture

- SL760IS

### LED

- 40L
- 32L
- 24L

### CCT - Color Temperature (K)

- 27(00)
- 30(00)
- 40(00)
- 50(00)

### Distribution Type

- T2
- T3
- T4
- T5

### Driver

- MDLO18<sup>1</sup> (120V-277V, 180mA)
- MDHO18<sup>1</sup> (347V-480V, 180mA)
- MDLO16<sup>2</sup> (120V-277V, 160mA)
- MDHO16<sup>2</sup> (347V-480V, 160mA)
- MDLO14<sup>1</sup> (120V-277V, 140mA)
- MDHO14<sup>1</sup> (347V-480V, 140mA)

<sup>1</sup> 32L or 24L system only.

<sup>2</sup> 40L system only.

### Lens

- CA (Clear Acrylic)
- SV1 (Flat Soft Vue Light Diffused Acrylic)
- SV2 (Flat Soft Vue Moderate Diffused Acrylic)
- SV4 (Flat Soft Vue Maximum Diffused Acrylic)

### Options (Click here to view accessories sheet)

- FHD<sup>3</sup> Double Fuse and Holder
- HSS 120° House Side Shield
- BLOC Back Light Optical Control

<sup>3</sup> Ships loose for installation in base

### Arm (Click here to view arm website page)

See Arms & Wall Brackets specification sheets.

- 480
- OM
- VL
- VC
- VF

### Pole (Click here to link to pole specification page)

See Pole specification sheets.

### Finish

Standard Urban Finishes (Click here to view paint finish sheet)

- UGMT Gun Metal Textured
- UGM Gun Metal Matte
- UBT Urban Bronze Textured
- UB Urban Bronze Matte
- ULBT Urban Light Bronze Textured
- ULB Urban Light Bronze Matte
- USLT Urban Silver Textured
- USL Urban Silver Matte
- UWHT Urban White Textured
- UWH Urban White Matte
- UCHS Urban Champagne Satin Smooth
- BKT Black Textured

### Custom Urban Finishes<sup>4</sup>

- CM Custom Match

<sup>4</sup> Smooth finishes are available upon request.

## Specifications

### Fixture

The large scale Solana® SL760IS post-top Luminaire's modern geometric design complements a diverse assortment of contemporary architectural settings. Its urbanesque yoke design offers not only aesthetic beauty, durability and optical efficiency, but takes street, area, and medium mount lighting to another level. The Solana® SL760IS is well suited for all roadway, site and pedestrian environments, and incorporates Intellistreets Smart City components that include wireless mesh, two-way communication, superb audio, on/off/dim capabilities, colored Flasher Lights and much more. Our convective AAD™ "Advanced Air-flow Dynamics" maximizes heat sink expulsion to deliver unsurpassed thermal management for long-life LED performance and energy efficiency. The cast aluminum slipfitter slips a 3" OD x 3" tall tenon. The luminaire shall be UL listed in US and Canada.

### LEDs

The luminaire shall use high output, high brightness LED's. They shall be mounted in arrays, on printed circuit boards designed to maximize heat transfer to the heat sink surface. The arrays shall be roof mounted to minimize up-light. The LED's and printed circuit boards shall be 100% recyclable; they shall also be protected from moisture and corrosion by a conformal coating. They shall not contain lead, mercury or any other hazardous substances and shall be RoHS compliant. The LED life rating data shall be determined in accordance with IESNA LM-80. The High Performance white LED's will have a life expectancy of approximately 100,000 hours with not less than 70% of original brightness (lumen maintenance), rated at 25°C. The High Brightness, High Output LED's shall be 4000K (2700K, 3000K or 5000K option) color temperature with a minimum CRI of 70. Consult factory for custom color CCT. The luminaire shall have a minimum \_\_\_\_\_ (see table) delivered initial lumen rating when operated at steady state with an average ambient temperature of 25°C (77°F).

### Optics

The luminaire shall be provided with refractor type optics applied to each LED array. The luminaire shall provide Type \_\_\_\_ (2, 3, 4 or 5) light distribution per the IESNA classifications. Testing shall be done in accordance with IESNA LM-79.

**BLOC Optic:** An optional "Back Light Optical Control" shield can be provided at the factory. This is an internal optic level "House Side Shield" offering significantly reduced backlight and glare while maintaining the original design aesthetics of the luminaire.

### Electronic Drivers

The LED driver shall be U.L. Recognized. It shall be securely mounted inside the fixture, for optimized performance and longevity. It shall be supplied with a quick-disconnect electrical connector on the power supply, providing easy power connections and fixture installation.

See next page

It shall have overload, overheat and short circuit protection, and have a DC voltage output, constant current design, 50/60HZ. It shall be supplied with line-ground, line-neutral and neutral-ground electrical surge protection in accordance with IEEE/ANSI C62.41.2 guidelines. It shall be a high efficiency driver with a THD less than 20% and a high power factor greater than .9. It shall be dimming capable using a 0-10v signal, consult factory for more information.

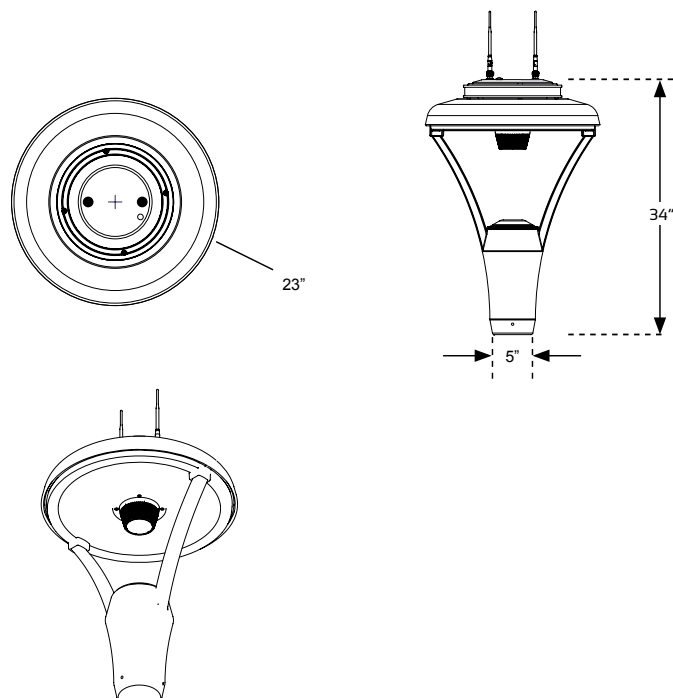
### Warranty

Seven-year limited warranty. See product and finish warranty guide for details.

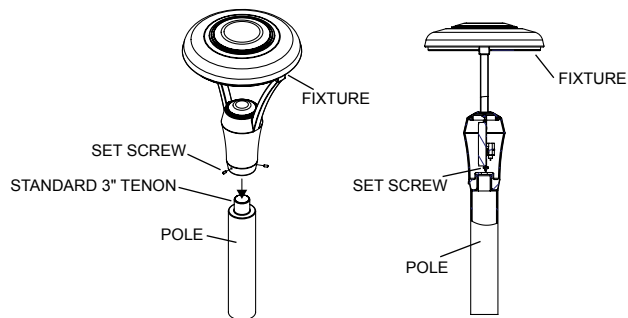
### Finish

Refer to website for details.

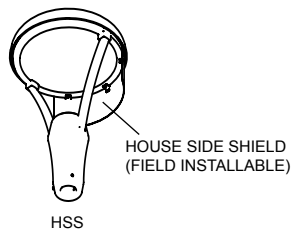
## Fixtures



## Mounting Details



## Options



## Performance (Based on CA Lens)

MODEL #	T2 LUMENS	BUG	EFFICACY (LPW)	T3 LUMENS	BUG	EFFICACY (LPW)	T4 LUMENS	BUG	EFFICACY (LPW)	T5 LUMENS	BUG	EFFICACY (LPW)	WATTS
40L40T_-MDL016	18830	B3U0G3	107.0	19015	B3U0G3	108.0	18820	B3U0G3	106.9	19510	B4U0G2	110.9	176
40L30T_-MDL016	17955	B3U0G3	102.0	18130	B3U0G3	103.0	17945	B3U0G3	102.0	18600	B4U0G2	105.7	176
40L27T_-MDL016	16235	B3U0G3	92.2	16390	B3U0G3	93.1	16225	B3U0G3	92.2	16820	B4U0G2	95.6	176
32L40T_-MDL018	15990	B3U0G3	103.2	16195	B3U0G3	104.5	16185	B3U0G3	104.4	16810	B4U0G2	108.5	155
32L30T_-MDL018	15245	B3U0G3	98.4	15440	B3U0G3	99.6	15430	B3U0G3	99.5	16025	B3U0G2	103.4	155
32L27T_-MDL018	13785	B3U0G3	88.9	13960	B3U0G3	90.1	13955	B3U0G3	90.0	14490	B3U0G2	93.5	155
32L40T_-MDL014	13120	B2U0G2	111.2	13280	B2U0G2	112.5	13230	B2U0G2	112.1	13780	B3U0G2	116.8	118
32L30T_-MDL014	12510	B2U0G2	106.0	12660	B2U0G2	107.3	12615	B2U0G2	106.9	13140	B3U0G2	111.4	118
32L27T_-MDL014	11310	B2U0G2	95.8	11450	B2U0G2	97.0	11405	B2U0G2	96.7	11880	B3U0G2	100.7	118
24L40T_-MDL018	11660	B2U0G2	98.8	11815	B2U0G2	100.1	12080	B2U0G2	102.4	12675	B3U0G3	107.4	118
24L30T_-MDL018	11115	B2U0G2	94.2	11265	B2U0G2	95.5	11520	B2U0G2	97.6	12085	B3U0G3	102.4	118
24L27T_-MDL018	10050	B2U0G2	85.2	10185	B2U0G2	86.3	10415	B2U0G2	88.3	10925	B3U0G3	92.6	118
24L40T_-MDL014	9360	B2U0G2	105.2	9485	B2U0G2	106.6	9685	B2U0G2	108.8	10185	B3U0G3	114.4	89
24L30T_-MDL014	8925	B2U0G2	100.3	9045	B2U0G2	101.6	9235	B2U0G2	103.8	9710	B3U0G3	109.1	89
24L27T_-MDL014	8070	B2U0G2	90.7	8175	B2U0G2	91.9	8350	B2U0G2	93.8	8780	B3U0G3	98.7	89

