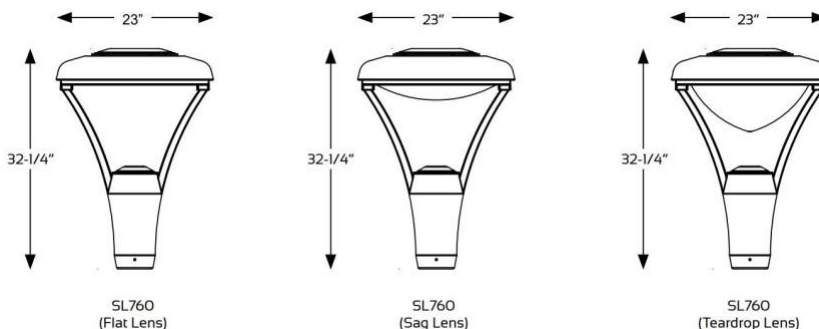
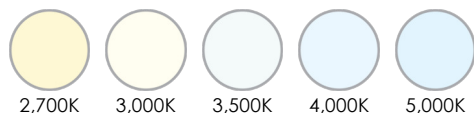


Project Name _____ Qty _____

Type _____ Catalog / Part Number _____



CCT - Color Temperature (K)



7 Year Warranty



IP Rating



Certifications



Description

The Solana™ Post Top Luminaire's modern geometric design complements a diverse assortment of contemporary architectural settings. It's urbanesque yoke design offers not only aesthetic beauty, durability and optical efficiency, but takes street, area, and medium mount lighting to another level. The Large Solana™ SL760 is well suited for all roadway and site environment

EPA: 1.3 (ft²)
WEIGHT: 53 LBS

Features

Mounting Configuration

- | | |
|--------------------------------------|-------------------------------------|
| 1W: Wall Mount | PT: Post Top |
| 1A: 1 Arm Mount | 1APT: 1 Arm & Post Top |
| 2A: 2 Arm Mount @ 180° | 2A90: 2 Arm Mount @ 90° |
| 2APT: 2 Arm @ 180° & Post Top | 3A: 3 Arms @ 120° |
| 3A90: 3 Arms @ 90° | 3APT: 3 Arm @ 120 & Post Top |
| 4A: 4 Arms @ 90° | 4APT: 4 Arm @ 90 & Post Top |
| 1AM: 1 Arm Mid-Mount | 2AM: 2 Arm Mid-Mount @ 180 |

Optional Control Receptacle

R7: 7-Pin control receptacle only

Optional Control

- PE:** Twist-Lock Photocontrol (120V-277V)
- PE4:** Twist-Lock Photocontrol (347V-480V)
- SC:** Shorting Cap
- PEC:** Electronic Button Photocontrol (120V-277V)
- PEC4:** Electronic Button Photocontrol (480V)

Optional Fuse

FHD: Double Fuse and Holder

Optional House Side Shield

- HSS:** 120° House Side Shield
- BLOC:** Back Light Optical Control

Optional Fixed Dimming Resistor Board

FDRB: Fixed Dimming Resistor Board

Physical

Fixture **SL760:** SL760

Lens	CA: Clear Acrylic FG: Flat Glass SA: Sag Acrylic FFG: Frosted Flat Glass SV1: Flat Soft Vue Light Diffused Acrylic SV2: Flat Soft Vue Moderate Diffused Acrylic SV4: Flat Soft Vue Maximum Diffused Acrylic SV1SA: Soft Vue Light Diffused Sag Acrylic SV4SA: Soft Vue Maximum Diffused Sag Acrylic TDC: Clear Acrylic Teardrop SV1TD: Soft Vue Light Diffused Acrylic Teardrop SV2TD: Soft Vue Moderate Diffused Acrylic Teardrop
-------------	---

Finish	UGMT: Urban Gun Metal Textured UB: Urban Bronze Matte USL: Urban Silver Matte UWH: Urban White Matte CM: Custom Match	UGM: Urban Gun Metal Matte UBT: Urban Bronze Textured USLT: Urban Silver Textured UWHT: Urban White Textured BKT: Black Textured
---------------	--	---

Light Source

LED	40L: 40 LEDs 24L: 24 LEDs	32L: 32 LEDs
CCT - Color Temperature (K)	27: 2,700K 35: 3,500K 50: 5,000K	30: 3,000K 40: 4,000K
Distribution Type	T2: Type 2 T4: Type 4	T3: Type 3 T5: Type 5

Electrical and control

Driver	MDL018: 120V-277V, 180mA MDL016: 120V-277V, 160mA MDL014: 120V-277V, 140mA	MDH018: 347V-480V, 180mA MDH016: 347V-480V, 160mA MDH014: 347V-480V, 140mA
Optional Motion Sensor	MOT1: 360° lens, maximum coverage 40' diameter from 20' height MOT2: 360° lens, maximum coverage 70' diameter from 20' height	

Specifications

Fitter	The fitter shall be heavy wall cast aluminum for high tensile strength. It includes 4 stainless steel Allen-head set screws for attachment to a pole/tenon, and shall slip fit a 3" OD x 3" tall tenon.
Comfortable Optics	SoftVue™ lens provides optimal visual comfort
UL Listing	UL listed per UL1598 for Wet Locations and CSA 22.2 No. 250.0 for the US and Canada.
Electronic Driver	The LED driver shall be securely mounted inside the fixture, for optimized performance and longevity and shall be U.L. Recognized. It shall be supplied with a quick-disconnect electrical connector on the power supply, providing easy power connections and fixture installation. It shall have overload, overheat and short circuit protection, and have a DC voltage output, constant current design, 50/60HZ. It shall be supplied with line-ground, line-neutral and neutral-ground electrical surge protection in accordance with IEEE/ANSI C62.41.2 guidelines. It shall be a high efficiency driver with a THD less than 20% and a high power factor greater than .9. It shall be dimming capable using a 0-10v signal, consult factory for more information.
NightSky® Friendly	Night-Sky Compliant with a U0 BUG rating
IP Rating	IP66 rated
Finish	6 Stage Polyester Powdercoat paint system.
Urban Finish	Urban paint finishes are available in Sternberg Lighting's Urbanline products and create a modern, elegant aesthetic. Finishes are available in textured or matte
Warranty	7-year limited warranty (See Website for Terms and Conditions.)
LEDs	<p>The luminaire shall use high output, high brightness LEDs. The LEDs are mounted to maximize thermal transfer to the heat sink surface. The LEDs shall be 100% recyclable; not contain lead, mercury or any other hazardous substances and shall be RoHS compliant. Lumen maintenance shall be determined in accordance with IESNA TM-21, based on LED manufacturer LM-80 test data of no less than 6,000 hours and in-situ testing of the luminaire by an NVLAP accredited Energy Efficient Lighting Products lab. The high-performance white LEDs will have a predicted lumen depreciation of approximately 100,000 hours with greater than 70% of initial output at 25°C. The high-brightness, high-output white LEDs shall be 4000K nominal (2700K, 3000K, 3500K or 5000K optional) correlated color temperature (CCT) with a 70 (minimum) color rendering index (CRI). Consult factory for custom CCT or CRI. The luminaire shall have a minimum _____ (see table) delivered initial lumens when operated at steady state with an average ambient temperature of 25°C (77°F).</p> <p>CCT Lumen Derate Values from 4,000K</p> <p>2,700K (70+ CRI)=.92 3,000K (70+ CRI)=.95 3,500K (70+ CRI)=.97 5,000K (70+ CRI)=1.00</p>
Optics	The luminaire shall be provided with individual, refractor type optics applied to each LED. The luminaire shall provide Type ____ (2, 3, 4 or 5) light distribution per the IESNA classifications. Testing shall be done in accordance with IESNA LM-79.
Backlight Optical Control	<p>BLOC Optic (BLOC): An optional "Back Light Optical Control" shield can be provided at the factory. This is an internal optic level "House Side Shield" offering significantly reduced backlight and glare while maintaining the original design aesthetics of the luminaire.</p> <p>External House Side Shield (HSS): An optional external 120° House Side Shield helps control backlight. Spun aluminum panel painted to match fixture.</p>
FDRB	10-step field adjustable dimming board. Includes step dimming options from 25%-100%. The unit is conformal coated and UL recognized for use in damp locations.
Motion Sensor	The programmable passive infrared motion sensor is installed integral to the fixture. 2 coverage area lenses available; assuming a 20' mounting height a lens with 40' coverage (MOT1) and 70' coverage (MOT2) is available. Sensor includes Dusk/Dawn light sensor for ambient light levels. Custom pre-set programming options can be set at the factory. Optional wireless programming controller available for field reprogramming (FSIR-100).

Photocontrols

Button Style: The photocontrol shall be mounted on the fixture and pre-wired to driver. The electronic button type photocontrol is instant on with a 5-10 second turn off, and shall turn on at 1.5 footcandles with a turn-off at 2-3 footcandles. See pole spec sheet for pole mounted version.

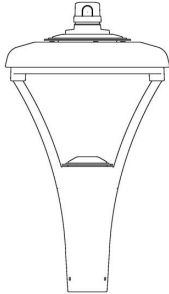
Twist-Lock Style (Roof Mount): The photocontrol shall be mounted on the roof and prewired to driver. The twist lock type photocontrol is instant on with a 3-6 second turn off, and shall turn on at 1.5 footcandles with a turnoff at 2-3 footcandles. Photocontrol is 120-277 volt.

Lumen Chart(s)

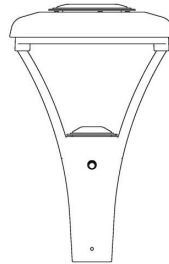
Tested with CA lens

Model #	T2 DELIVERED LUMENS	BUG	EFFICACY (LPW)	T3 DELIVERED LUMENS	BUG	EFFICACY (LPW)	T4 DELIVERED LUMENS	BUG	EFFICACY (LPW)	T5 DELIVERED LUMENS	BUG	EFFICACY (LPW)	WATTAGE
40L40T_-MDL016	18830	B3U0G3	107.0	19015	B3U0G3	108.0	18820	B3U0G3	106.9	19510	B4U0G2	110.9	176
40L30T_-MDL016	17955	B3U0G3	102.0	18130	B3U0G3	103.0	17945	B3U0G3	102.0	18600	B4U0G2	105.7	176
40L27T_-MDL016	16235	B3U0G3	92.2	16390	B3U0G3	93.1	16225	B3U0G3	92.2	16820	B4U0G2	95.6	176
32L40T_-MDL018	15990	B3U0G3	103.2	16195	B3U0G3	104.5	16185	B3U0G3	104.4	16810	B4U0G2	108.5	155
32L30T_-MDL018	15245	B3U0G3	98.4	15440	B3U0G3	99.6	15430	B3U0G3	99.5	16025	B4U0G2	103.4	155
32L27T_-MDL018	13785	B3U0G3	88.9	13960	B3U0G3	90.1	13955	B3U0G3	90.0	14490	B4U0G2	93.5	155
32L40T_-MDL014	13120	B2U0G2	111.2	13280	B2U0G2	112.5	13230	B2U0G2	112.1	13780	B3U0G2	116.8	118
32L30T_-MDL014	12510	B2U0G2	106.0	12660	B2U0G2	107.3	12615	B2U0G2	106.9	13140	B3U0G2	111.4	118
32L27T_-MDL014	11310	B2U0G2	95.8	11450	B2U0G2	97.0	11405	B2U0G2	96.7	11880	B3U0G2	100.7	118
24L40T_-MDL018	11660	B2U0G2	98.8	11815	B2U0G2	100.1	12080	B2U0G2	102.4	12675	B3U0G3	107.4	118
24L30T_-MDL018	11115	B2U0G2	94.2	11265	B2U0G2	95.5	11520	B2U0G2	97.6	12085	B3U0G3	102.4	118
24L27T_-MDL018	10050	B2U0G2	85.2	10185	B2U0G2	86.3	10415	B2U0G2	88.3	10925	B3U0G3	92.6	118
24L40T_-MDL014	9360	B2U0G2	105.2	9485	B2U0G2	106.6	9685	B2U0G2	108.8	10185	B3U0G3	114.4	89
24L30T_-MDL014	8925	B2U0G2	100.3	9045	B2U0G2	101.6	9235	B2U0G2	103.8	9710	B3U0G3	109.1	89
24L27T_-MDL014	8070	B2U0G2	90.7	8175	B2U0G2	91.9	8350	B2U0G2	93.8	8780	B3U0G3	98.7	89

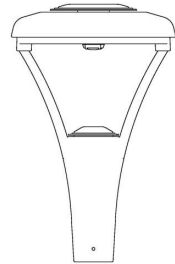
Options



7-Pin Control Receptacle with Photocell (**R7-PE/PE4**)



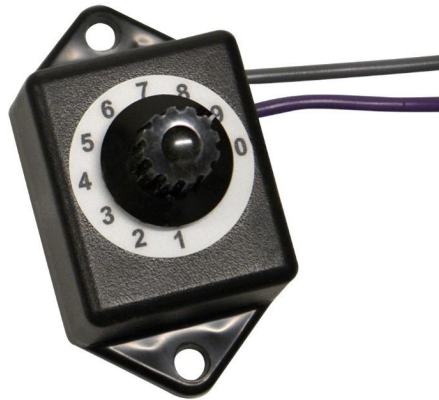
Button Photocell (**PEC/PEC4**)



Motion Sensor (**MOT1/MOT2**)



Double Fuse Holder & (2) 3A Fuses (**FHD**)



Fixed Dimming Resistor Board (**FDRB**)



House Side Shield (**HSS**)

How to order

Mounting Configuration	Fixture	LED	CCT - Color Temperature (K)	Distribution Type	Driver	Lens
1W Wall Mount	SL760 SL760	40L 40 LEDs	27 2,700K	T2 Type 2	MDL018 120V-277V, 180mA ⁽¹⁾	CA Clear Acrylic
PT Post Top		32L 32 LEDs	30 3,000K	T3 Type 3		MDH018 347V-480V, 180mA ⁽¹⁾
1A 1 Arm Mount		24L 24 LEDs	35 3,500K	T4 Type 4	MDL016 120V-277V, 160mA ⁽²⁾	SA Sag Acrylic ⁽³⁾
1APT 1 Arm & Post Top			40 4,000K	T5 Type 5	MDH016 347V-480V, 160mA ⁽²⁾	FFG Frosted Flat Glass ⁽³⁾
2A 2 Arm Mount @ 180°			50 5,000K		MDL014 120V-277V, 140mA ⁽¹⁾	SV1 Flat Soft Vue Light Diffused Acrylic
2A90 2 Arm Mount @ 90°					MDH014 347V-480V, 140mA ⁽¹⁾	SV2 Flat Soft Vue Moderate Diffused Acrylic
2APT 2 Arm @ 180° & Post Top						SV4 Flat Soft Vue Maximum Diffused Acrylic
3A 3 Arms @ 120°						SV1SA Soft Vue Light Diffused Sag Acrylic ⁽³⁾
3A90 3 Arms @ 90°						SV4SA Soft Vue Maximum Diffused Sag Acrylic ⁽³⁾
3APT 3 Arm @ 120 & Post Top						TDC Clear Acrylic Teardrop ⁽³⁾
4A 4 Arms @ 90°						SV1TD Soft Vue Light Diffused Acrylic Teardrop ⁽³⁾
4APT 4 Arm @ 90 & Post Top						SV2TD Soft Vue Moderate Diffused Acrylic Teardrop ⁽³⁾
1AM 1 Arm Mid-Mount						
2AM 2 Arm Mid-Mount @ 180						

Notes:

- 1. 32L or 24L system only.
- 2. 40L system only.

- 3. Not for use with Motion Sensor.

How to order

Optional Control Receptacle ^{(3) (4)}	Optional Control	Optional Motion Sensor ⁽⁴⁾ <small>(6) (7) (8) (9)</small>	Optional Fuse ⁽¹⁰⁾	Optional House Side Shield ⁽¹¹⁾	Optional Fixed Dimming Resistor Board ^{(3) (7)}	Finish
R7 7-Pin control receptacle only	PE Twist-Lock Photocontrol (120V-277V) ⁽⁵⁾ PE4 Twist-Lock Photocontrol (347V-480V) ⁽⁵⁾ SC Shorting Cap ⁽⁵⁾ PEC Electronic Button Photocontrol (120V-277V) PEC4 Electronic Button Photocontrol (480V)	MOT1 360° lens, maximum coverage 40" diameter from 20" height MOT2 360° lens, maximum coverage 70" diameter from 20" height	FHD Double Fuse and Holder	HSS 120° House Side Shield BLOC Back Light Optical Control	FDRB Fixed Dimming Resistor Board	UGMT Urban Gun Metal Textured UGM Urban Gun Metal Matte UBT Urban Bronze Textured UB Urban Bronze Matte USLT Urban Silver Textured USL Urban Silver Matte UWHT Urban White Textured UWH Urban White Matte BKT Black Textured CM Custom Match ^{(12) (13)}

Notes:

- 3. Not for use with Motion Sensor.
- 4. Not for use with FDRB.
- 5. Requires control receptacle.
- 6. Requires FLAT acrylic lens.
- 7. Not for use with R7.
- 8. For use with MDLxx driver only.

- 9. Not for use with Button Photocell.
- 10. Ships loose for installation in base.
- 11. Not for use with TS optic.
- 12. Smooth finishes are available upon request.
- 13. Custom colors require upcharge.