

1740/50/60LED

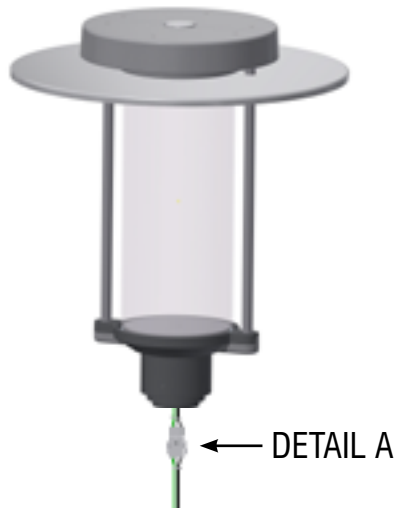
CUSTOMER INSTALLATION INSTRUCTIONS

WARNING: TO AVOID FIRE, SHOCK OR DEATH, TURN OFF AND LOCKOUT POWER BEFORE PERFORMING ANY MAINTENANCE.

CAUTION: THIS FIXTURE MUST BE WIRED IN ACCORDANCE WITH THE NATIONAL ELECTRIC CODE AND ALL APPLICABLE LOCAL CODES. PROPER GROUNDING IS REQUIRED. ALL WORK SHOULD BE DONE BY A QUALIFIED ELECTRICIAN.

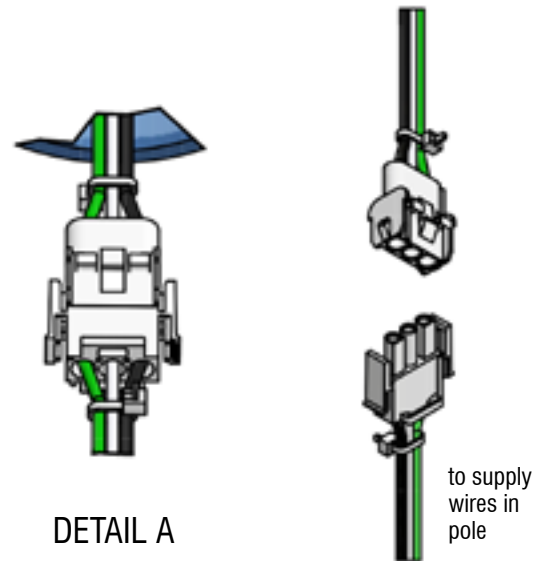
STEP 1

Unpack the fixture. Handle with care. Recycle the empty packaging.



STEP 2

Disconnect male connector from female.



STEP 3

Connect the source circuit (pole wiring) to the male quick disconnect.

WIRING SCHEMATIC



! **WARNING:** TO AVOID FIRE, SHOCK OR DEATH, TURN OFF AND LOCKOUT POWER BEFORE PERFORMING ANY MAINTENANCE.

! **CAUTION:** THIS FIXTURE MUST BE WIRED IN ACCORDANCE WITH THE NATIONAL ELECTRIC CODE AND ALL APPLICABLE LOCAL CODES. PROPER GROUNDING IS REQUIRED. ALL WORK SHOULD BE DONE BY A QUALIFIED ELECTRICIAN.

STEP 4

Plug disconnect together and place fixture on pole. Make sure the “street side” label is oriented to the street or target area. Fixture should be leveled before tightening the set screws.

Note: If the “street side” label is missing, *always* orientate fixture by facing the casted mark on the roof towards the street side or target area.

