

ML360 MILLENIA BOLLARD

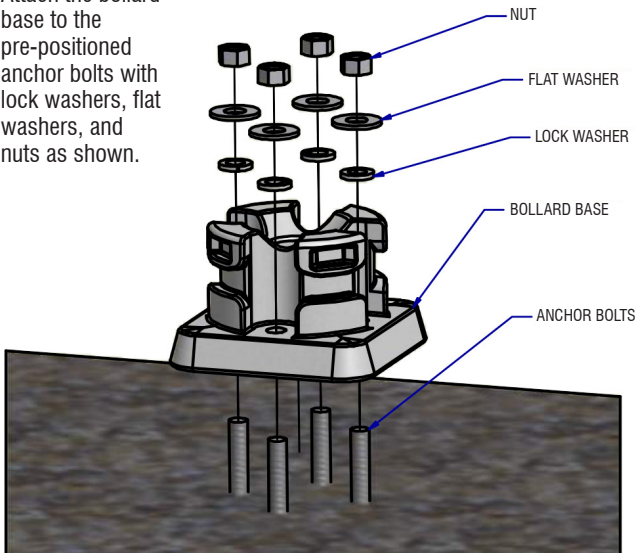
INSTALLATION INSTRUCTIONS

WARNING: TO AVOID FIRE, SHOCK OR DEATH, TURN OFF AND LOCKOUT POWER BEFORE PERFORMING ANY MAINTENANCE.

CAUTION: THIS FIXTURE MUST BE WIRED IN ACCORDANCE WITH THE NATIONAL ELECTRIC CODE AND ALL APPLICABLE LOCAL CODES. PROPER GROUNDING IS REQUIRED. ALL WORK SHOULD BE DONE BY A QUALIFIED ELECTRICIAN.

STEP 1

Attach the bollard base to the pre-positioned anchor bolts with lock washers, flat washers, and nuts as shown.

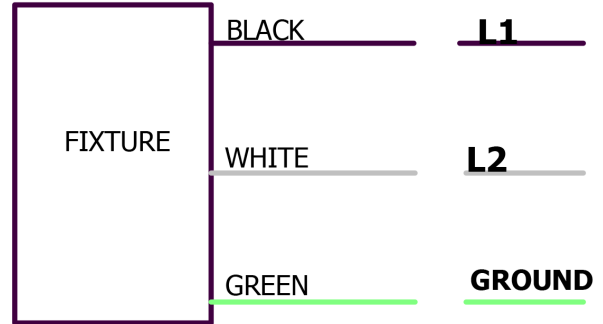


STEP 2

Attach the quick connect provided to the incoming power wires.

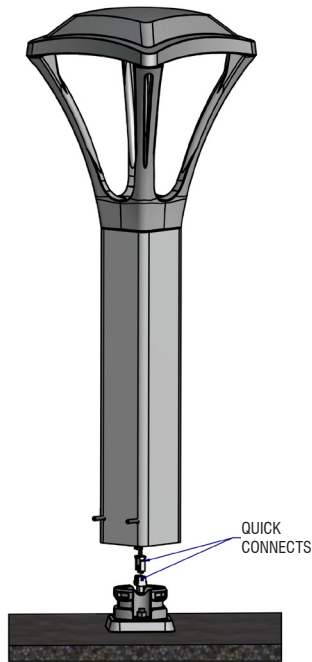
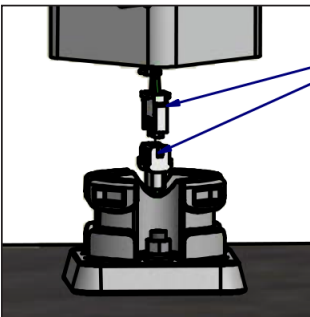


WIRING SCHEMATIC



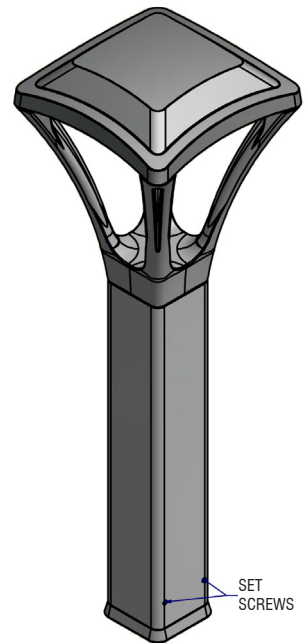
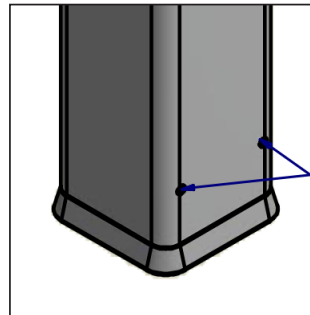
STEP 3

Attach the male quick connect in step 2 to the female quick connect located on the bottom of the fixture. Once connected secure wires inside the bollard and lower the fixture onto the bollard base as shown.



STEP 4

Rotate the luminaire so the set screws on the riser are facing house side. Tighten the set screws to lock the luminaire in place.



SternbergLighting

ESTABLISHED 1923 / EMPLOYEE OWNED

800-621-3376
555 Lawrence Ave., Roselle, IL 60172
info@sternberglighting.com
www.sternberglighting.com