

Project Name \_\_\_\_\_ Qty \_\_\_\_\_

Type \_\_\_\_\_ Catalog / Part Number \_\_\_\_\_



**CCT - Color Temperature (K)**



**7 Year Warranty**



**IP Rating**



**Certifications**



**Description**

The ML360 is a sleek and seamless fixture that complements the rest of the Millenia™ family with its scaled down aesthetics of the larger luminaires. Provides perfect symmetry when used together on a project site. Available as a pier base, post mount, wall mount, and bollard.

**Features**

<b>Mounting Configuration</b>	<b>BL:</b> BL Bollard <b>PM:</b> PM Post Mount	<b>PB:</b> Pier Base <b>WM:</b> WM Wall Mount
<b>Optional Fuse</b>	<b>FHD:</b> Double Fuse and Holder	

**Physical**

<b>Height (in feet)</b>	3', 4', 5', 6', 7'	
<b>Series</b>	<b>ML360:</b> Millenia	
<b>Lens</b>	<b>CA:</b> Clear Acrylic <b>SV1:</b> Flat Soft Vue Light Diffused Acrylic <b>SV2:</b> Flat Soft Vue Moderate Diffused Acrylic	

<b>Finish</b>	<b>UGMT:</b> Urban Gun Metal Textured <b>UB:</b> Urban Bronze Matte <b>USL:</b> Urban Silver Matte <b>UWH:</b> Urban White Matte	<b>UGM:</b> Urban Gun Metal Matte <b>UBT:</b> Urban Bronze Textured <b>USLT:</b> Urban Silver Textured <b>UWHT:</b> Urban White Textured <b>BKT:</b> Black Textured
---------------	---	---

**Light Source**

<b>LED</b>	<b>32L:</b> 32 LEDs	
<b>CCT - Color Temperature (K)</b>	<b>27:</b> 2,700K <b>35:</b> 3,500K <b>45:</b> 4,500K	<b>30:</b> 3,000K <b>40:</b> 4,000K <b>50:</b> 5,000K
<b>Distribution Type</b>	<b>T2:</b> Type 2 <b>T4:</b> Type 4	<b>T3R:</b> Type 3R <b>T5:</b> Type 5

**Electrical and control**

---

<b>Driver</b>	<b>MDL03:</b> 120V-277V, 300mA <b>MDL07:</b> 120V-277V, 700mA	<b>MDL05:</b> 120V-277V, 525mA
<b>Optional Photocell</b>	<b>PCD:</b> Electronic Button Photocontrol, mounted on an access door (120V-277V)	
<b>Optional Ground Fault Breaker</b>	<b>GFI LPIUC:</b> 15 Amp Duplex GFCI receptacles with a low-profile in-use cover <b>USB LPIUC:</b> 15 Amp Duplex USB/Receptacle combo with a low-profile in-use cover (NON-GFCI)	

**Specifications**

<b>Comfortable Optics</b>	SoftVue™ lens provides optimal visual comfort
<b>UL Listing</b>	UL listed per UL1598 for Wet Locations and CSA 22.2 No. 250.0 for the US and Canada.
<b>Electronic Driver</b>	The LED driver shall be securely mounted inside the fixture, for optimized performance and longevity and shall be U.L. Recognized. It shall be supplied with a quick-disconnect electrical connector on the power supply, providing easy power connections and fixture installation. It shall have overload, overheat and short circuit protection, and have a DC voltage output, constant current design, 50/60HZ. It shall be supplied with line-ground, line-neutral and neutral-ground electrical surge protection in accordance with IEEE/ANSI C62.41.2 guidelines. It shall be a high efficiency driver with a THD less than 20% and a high power factor greater than .9. It shall be dimming capable using a 0-10v signal, consult factory for more information.
<b>NightSky® Friendly</b>	Night-Sky Compliant with a U0 BUG rating
<b>IP Rating</b>	IP66 rated
<b>Finish</b>	6 Stage Polyester Powdercoat paint system.
<b>Urban Finish</b>	Urban paint finishes are available in Sternberg Lighting's Urbanline products and create a modern, elegant aesthetic. Finishes are available in textured or matte
<b>Warranty</b>	7-year limited warranty (See Website for Terms and Conditions.)
<b>LED's</b>	The luminaire shall use high output, high brightness LEDs. The LEDs are mounted to maximize thermal transfer to the heat sink surface. The LEDs shall be 100% recyclable; not contain lead, mercury or any other hazardous substances and shall be RoHS compliant. Lumen maintenance shall be determined in accordance with IESNA TM-21, based on LED manufacturer LM-80 test data of no less than 6,000 hours and in-situ testing of the luminaire by an NVLAP accredited Energy Efficient Lighting Products lab. The high-performance white LEDs will have a predicted lumen depreciation of approximately 100,000 hours with greater than 70% of initial output at 25°C. The high-brightness, high-output white LEDs shall be 4500K nominal (2700K, 3000K, 3500K, 4000K or 5000K optional) correlated color temperature (CCT) with a 70 (minimum) color rendering index (CRI). Consult factory for custom CCT or CRI. The luminaire shall have a minimum _____ (see table) delivered initial lumens when operated at steady state with an average ambient temperature of 25°C (77°F). <b>CCT Lumen Derate Values from 4,000K</b> 2,700K (70+ CRI)=.78 3,000K (70+ CRI)=.83 3,500K (70+ CRI)=.89 4,000K (70+ CRI)=.95 5,000K (70+ CRI)=1.00
<b>Optics</b>	The luminaire shall be provided with individual, refractor type optics applied to each LED. The luminaire shall provide Type ____ (2, 3, 3R, 4 or 5) light distribution per the IESNA classifications. Testing shall be done in accordance with IESNA LM-79.
<b>FDRB</b>	10-step field adjustable dimming board. Includes step dimming options from 25%-100%. The unit is conformal coated and UL recognized for use in damp locations.
<b>Photocontrols</b>	The photocontrol shall be mounted on a plate, installed on the pole shaft and pre-wired to driver. The electronic button type photocontrol is instant on with a 5-10 second turn off, and shall turn on at 1.5 footcandles with a turn-off at 2-3 footcandles.

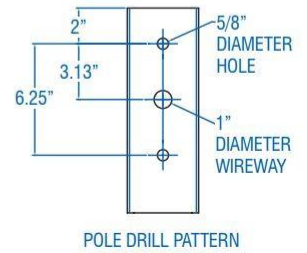
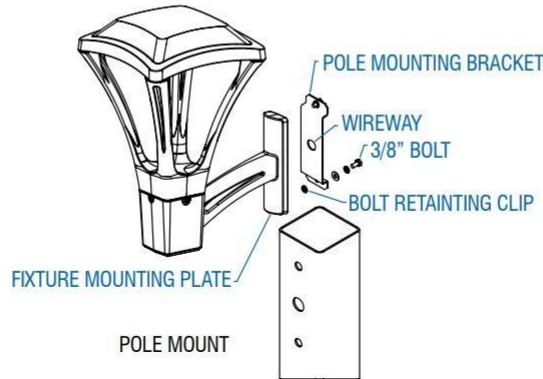
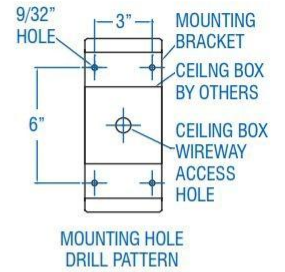
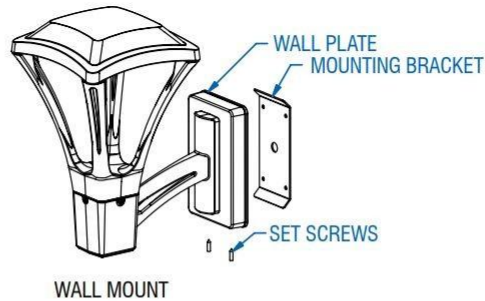
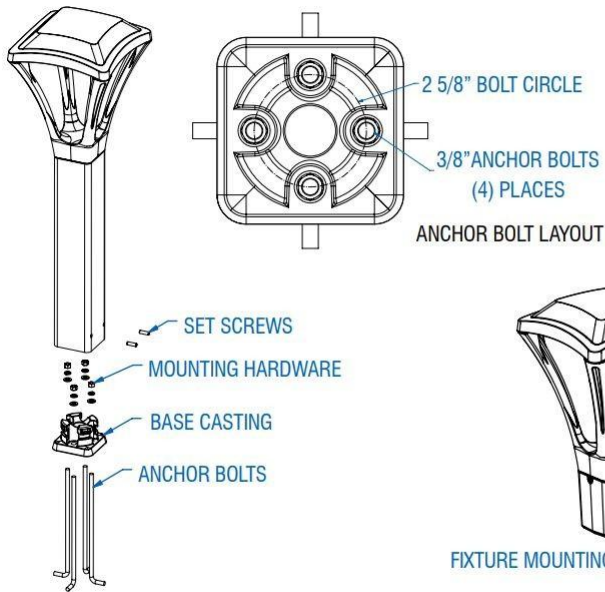
Lumen Chart(s)

Tested with CA lens

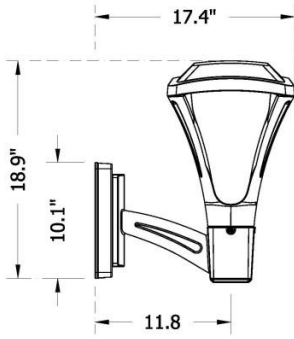
Model #	T2 DELIVERED LUMENS	BUG	EFFICACY (LPW)	T3R DELIVERED LUMENS	BUG	EFFICACY (LPW)	T4 DELIVERED LUMENS	BUG	EFFICACY (LPW)	T5 DELIVERED LUMENS	BUG	EFFICACY (LPW)	WATTAGE
32L45T_-MDL07	4415	B2U0G2	55.9	4880	B1U0G1	61.8	4330	B1U0G1	54.8	4345	B2U0G1	55.0	79
32L35T_-MDL07	4145	B2U0G2	52.5	4585	B1U0G1	58.0	4065	B1U0G1	51.5	4080	B2U0G1	51.6	79
32L27T_-MDL07	3640	B2U0G2	46.1	4025	B1U0G1	50.9	3570	B1U0G1	45.2	3580	B2U0G1	45.3	79
32L45T_-MDL05	3630	B1U0G1	61.5	3900	B1U0G1	66.1	3550	B1U0G1	60.2	3565	B2U0G1	60.4	59
32L35T_-MDL05	3410	B1U0G1	57.8	3665	B1U0G1	62.1	3335	B1U0G1	56.5	3350	B2U0G1	56.8	59
32L27T_-MDL05	2990	B1U0G1	50.7	3215	B1U0G1	54.5	2925	B1U0G1	49.6	2940	B2U0G1	49.8	59
32L45T_-MDL03	2660	B1U0G1	70.0	2765	B1U0G1	72.8	2605	B1U0G1	68.6	2560	B2U0G1	67.4	38
32L35T_-MDL03	2500	B1U0G1	65.8	2595	B1U0G1	68.3	2445	B1U0G1	64.3	2405	B2U0G1	63.3	38
32L27T_-MDL03	2195	B1U0G1	57.8	2280	B1U0G1	60.0	2145	B1U0G1	56.4	2110	B2U0G1	55.5	38

Mounting Details

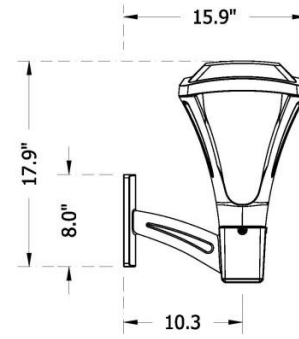
BOLLARD/PIER BASE



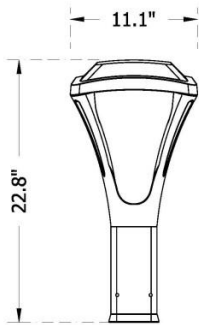
Dimensions



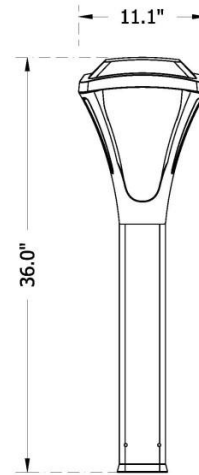
WALL MOUNT (WM)



POLE MOUNT (PM)

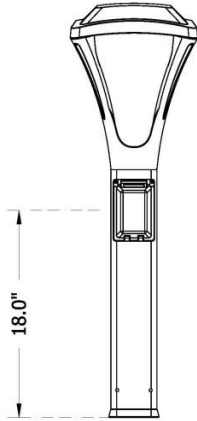


PIER BASE (PB)

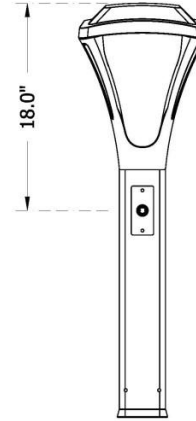


BOLLARD (BL)

Options



Low-Profile In-Use Cover (GFI LPIUC/USB LPIUC)



Button Photocell On Door (PCD)

EPA & Weight Chart

Fixture	Bollard (BL)*	Pier Base (PB)	Post Mount (PM)	Wall Mount (WM)
EPA (FT <sup>2</sup> )	1.01	0.63	0.71	0.84
Weight (LBS)	25.9	20.1	16.8	20.2

\*BL - 3' Tall Version

How to order

Mounting Configuration	Height (in feet) <sup>(2)</sup>	Series	LED	CCT - Color Temperature (K)	Distribution Type	Driver <sup>(3)</sup>	Lens		
<b>BL</b> BL Bollard	<b>03</b> 3'	<b>ML360</b> Millenia	<b>32L</b> 32 LEDs	<b>27</b> 2,700K	<b>T2</b> Type 2	<b>MDL03</b> 120V-277V, 300mA	<b>CA</b> Clear Acrylic		
<b>PB</b> Pier Base <sup>(1)</sup>	<b>04</b> 4'			<b>30</b> 3,000K	<b>T3R</b> Type 3R			<b>MDL05</b> 120V-277V, 525mA <sup>(4)</sup>	<b>SV1</b> Flat Soft Vue Light Diffused Acrylic <sup>(5)</sup>
<b>PM</b> PM Post Mount <sup>(1)</sup>	<b>05</b> 5'			<b>35</b> 3,500K	<b>T4</b> Type 4			<b>MDL07</b> 120V-277V, 700mA <sup>(4)</sup>	<b>SV2</b> Flat Soft Vue Moderate Diffused Acrylic <sup>(6)</sup>
<b>WM</b> WM Wall Mount <sup>(1)</sup>	<b>06</b> 6'			<b>40</b> 4,000K	<b>T5</b> Type 5				
	<b>07</b> 7'			<b>45</b> 4,500K					
				<b>50</b> 5,000K					

Notes:

1. Do not call out "height".
2. For BL (Bollard) mount only.
3. For 347-480V consult factory.
4. Not available in "WM" or "PM" mounting.
5. Provides moderate reduction in brightness while only a minimal reduction in lumen output. Consult photometric files for exact lumen performance as percentages noted are averages.
6. Provides maximum reduction in brightness while only a nominal reduction in lumen output. Consult photometric files for exact lumen performance as percentages noted are averages.

**How to order**

Optional Photocell <sup>(2)</sup>	Optional Ground Fault Breaker <sup>(2)</sup>	Optional Fuse	Finish
<p><b>PCD</b> Electronic Button Photocontrol, mounted on an access door (120V-277V)</p>	<p><b>GFI LPIUC</b> 15 Amp Duplex GFCI receptacles with a low-profile in-use cover <sup>(7)</sup></p> <p><b>USB LPIUC</b> 15 Amp Duplex USB/Receptacle combo with a low-profile in-use cover (NON-GFCI)</p>	<p><b>FHD</b> Double Fuse and Holder</p>	<p><b>UGMT</b> Urban Gun Metal Textured</p> <p><b>UGM</b> Urban Gun Metal Matte</p> <p><b>UBT</b> Urban Bronze Textured</p> <p><b>UB</b> Urban Bronze Matte</p> <p><b>USLT</b> Urban Silver Textured</p> <p><b>USL</b> Urban Silver Matte</p> <p><b>UWHT</b> Urban White Textured</p> <p><b>UWH</b> Urban White Matte</p> <p><b>BKT</b> Black Textured</p>

**Notes:**

2. For BL (Ballard) mount only.

7. Only available in "BL" configuration.