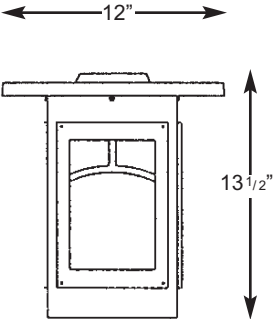
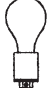

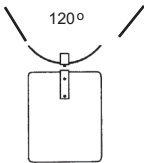








# 710 TINLEY RESIDENTIAL SERIES

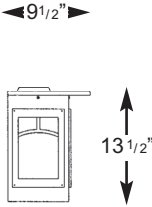
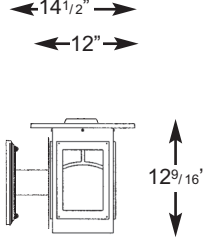
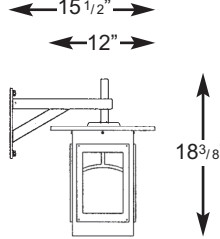
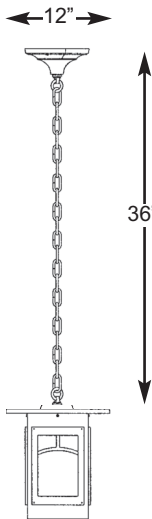

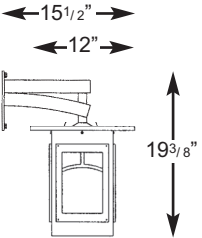
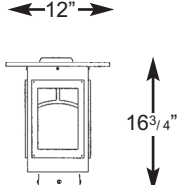
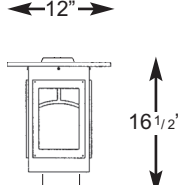
# SPECIFICATIONS

FIXTURE	SOCKET TYPE	OPTICAL SYSTEMS	BB BALLAST BOX	POST FITTER		
 <p>12" width 13 1/2" height</p> <p><b>710</b></p>	 <p><b>MED</b> Single Medium Base Socket</p>	 <p><b>PL</b> Compact Fluorescent</p>	 <p><b>HSS</b> House Side Shield</p>	 <p><b>FMC</b> Frosted Mission Chimney</p>	<p><b>78BB</b> - Large Scale for up to 100 watt ballasts</p>  <p><b>27BB</b> - Hanging or Pier for up to 100 watt ballasts</p> 	 <b>R3"</b>  <b>S4"</b>  <b>R4"</b> <p>SIZES</p>

## LENSES

 <b>CA</b> Clear Acrylic	 <b>CSA</b> Clear Seeded Acrylic	 <b>CTA</b> Clear Textured Acrylic	 <b>PA</b> Prismatic Acrylic	 <b>WA</b> White Acrylic	 <b>AGB</b> Art Glass Brown Marble
--	---	---	--	--	---

## POST MOUNT, WALL BRACKETS & PIER MOUNT

 <p>9 1/2" width 13 1/2" height</p> <p><b>710WB</b></p>	 <p>14 1/2" width 12" depth 12 9/16" height</p> <p><b>710/77WB</b></p>	 <p>15 1/2" width 12" depth 18 3/8" height</p> <p><b>710/HMA3†</b></p>	 <p>12" width 36" height</p> <p><b>710HCH27††</b></p>	 <p>12" width 36" height</p> <p><b>710HSH27††</b></p>
 <p>15 1/2" width 12" depth 19 3/8" height</p> <p><b>710/TPS3</b></p>	 <p>12" width 16 3/4" height</p> <p><b>710PB</b></p>	 <p>12" width 16 1/2" height</p> <p><b>710PT†</b></p>		

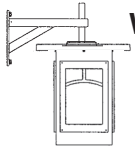
NOTE: 710 Series 100W Max. INC. Refractors not available.  
† Remote Ballast required if HID or CF. †† Add BB Ballast Box for 100W HID.

# BUILDING A PART NUMBER



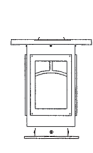
## POST & ARM FIXTURES

ARM MOUNTED FIXTURE	CENTER POST TOP FIXTURE (PT)	POST	POST CAP	LIGHT SOURCE BALLAST	OPTICS	OPTIONS	LENS	FINISH
NO. OF ARMS	FIXTURE / POSTARM	FIXT./FITTER	(See Post Section)	WATTS / TYPE / VOLTS				
		710/S4	4SQX	100MHP120			WA	BKT



## WALL FIXTURES

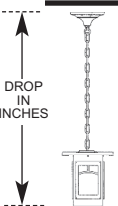
FIXTURE / WALL BRACKET	LIGHT SOURCE BALLAST	OPTICS	OPTIONS	LENS	FINISH
	WATTS / TYPE / VOLTS				
710HMA3	100MHP120		MHP100/MED	WA	BKT



**PIER FIXTURES**  
Uses same information boxes as wall fixture

710/P28B

FIXTURE / PIER BASE



## HANGING FIXTURES

FIXTURE / HANGING BRACKET	OVERALL DROP IN INCHES	LIGHT SOURCE BALLAST	OPTICS	OPTIONS	LENS	FINISH
	WATTS / TYPE / VOLTS					
710H/CH27	36 INCHES	100MHP120	FMC	MHP100/MED	CA	BKT

## PART NUMBER SELECTIONS

<b>FIXTURES</b> <ul style="list-style-type: none"> <li>• 710</li> </ul> <b>OPTICS</b> <ul style="list-style-type: none"> <li>• HSS</li> <li>• FMC</li> <li>• MED</li> <li>• PL</li> </ul> <b>FITTERS</b> <ul style="list-style-type: none"> <li>• R3</li> <li>• S4</li> <li>• R4</li> </ul>	<b>POST ARMS</b> <ul style="list-style-type: none"> <li>• 77PM</li> <li>• HMA3PM</li> <li>• TPS3PM</li> </ul> <b>LENSES</b> <ul style="list-style-type: none"> <li>• CA</li> <li>• CSA</li> <li>• CTA</li> <li>• PA</li> <li>• WA</li> <li>• AGB</li> </ul>	<b>WALL BRACKET ARMS</b> <ul style="list-style-type: none"> <li>• 77WB</li> <li>• HMA3WB</li> <li>• TPS3WB</li> </ul> <b>HANGING BRACKETS</b> <ul style="list-style-type: none"> <li>• CH27</li> <li>• SH27</li> </ul> <b>PIER BASE</b> <ul style="list-style-type: none"> <li>• P28B</li> </ul>	<b>LAMPS<sup>4</sup></b> <ul style="list-style-type: none"> <li>• HPS35/MED</li> <li>• HPS50/MED</li> <li>• HPS70/MED</li> <li>• HPS100/MED</li> <li>• MHP50/MED</li> <li>• MHP70/MED</li> <li>• MHP100/MED</li> <li>• PLT26</li> <li>• PLT32</li> <li>• PLT42</li> <li>• PLT57</li> <li>• PLT70</li> </ul>	<b>BALLASTS<sup>3,4</sup></b> <ul style="list-style-type: none"> <li>• 35HPS<sup>1</sup></li> <li>• 50HPS</li> <li>• 70HPS</li> <li>• 100HPS</li> <li>• 50MHP</li> <li>• 70MHP</li> <li>• 100MHP</li> <li>• 26PLT</li> <li>• 32PLT</li> <li>• 42PLT</li> <li>• 57PLT</li> <li>• 70PLT</li> <li>• INCAND (100 watt max.)</li> </ul>	<b>BB- BALLAST BOX</b> <ul style="list-style-type: none"> <li>• 78BB - Medium Scale for up to 100 watt ballasts</li> <li>• 27BB - Hanging or Pier for up to 100 watt ballasts</li> </ul>	<b>STANDARD FINISHES*</b> <ul style="list-style-type: none"> <li>• BKT Black Textured</li> <li>• WHT White Textured</li> <li>• PGT Park Green Textured</li> <li>• ABZT Architectural Medium Bronze Textured</li> <li>• DBT Dark Bronze Textured</li> </ul> <p>*Smooth Finishes are available upon request</p>
<b>CUSTOM FINISHES</b> <ul style="list-style-type: none"> <li>• OI Old Iron</li> <li>• RT Rust</li> <li>• WBR Weathered Brown</li> <li>• CD Cedar</li> <li>• WBK Weathered Black</li> <li>• TT Two Tone</li> </ul>						

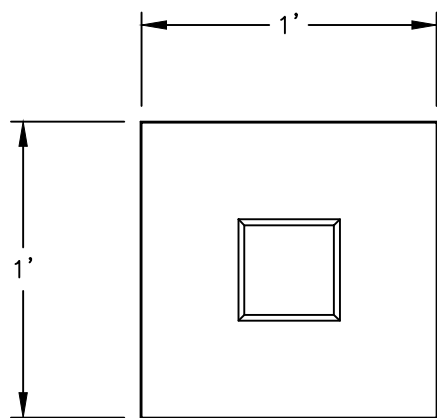
### OPTIONS

- PEC1-E Photocell-Electronic 120-277 Volt
- FHS Single Fuse and Holder -120, 277 Volt
- LAMPS Select from List

### NOTES:

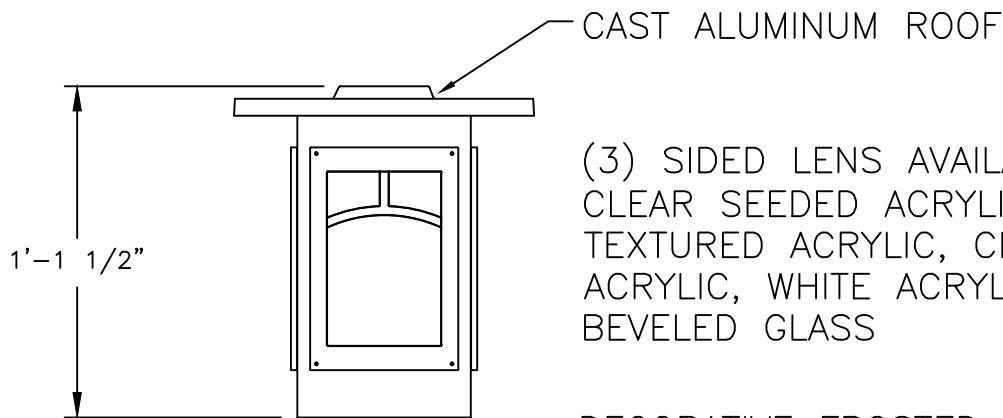
- <sup>1</sup>35HPS is 120 volt only.
- <sup>2</sup>MED base only when used to house lamp.
- <sup>3</sup>Medium base sockets standard with ballasts up to 100 watts for HID. 4-pin for PL.
- <sup>4</sup>Metal halide systems are pulse start.

# 710 PRAIRIE RESIDENTIAL SERIES



ALL ELECTRICAL COMPONENTS ARE U.L. OR E.T.L. LISTED IN USA AND CANADA.

FIXTURE WILL BE PREWIRED AND TESTED.



(3) SIDED LENS AVAILABLE IN CLEAR SEEDED ACRYLIC, CLEAR TEXTURED ACRYLIC, CLEAR ACRYLIC, WHITE ACRYLIC OR BEVELED GLASS

DECORATIVE FROSTED CHIMNEY WITH MEDIUM BASE SOCKET OR DECORATIVE FROSTED CHIMNEY WITH FLUORESCENT SOCKET OR 3-LIGHT CLUSTER

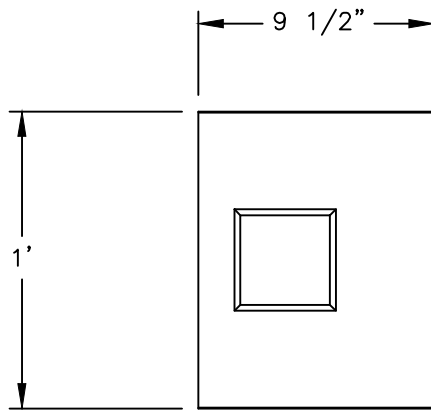


710

3/16"=1'

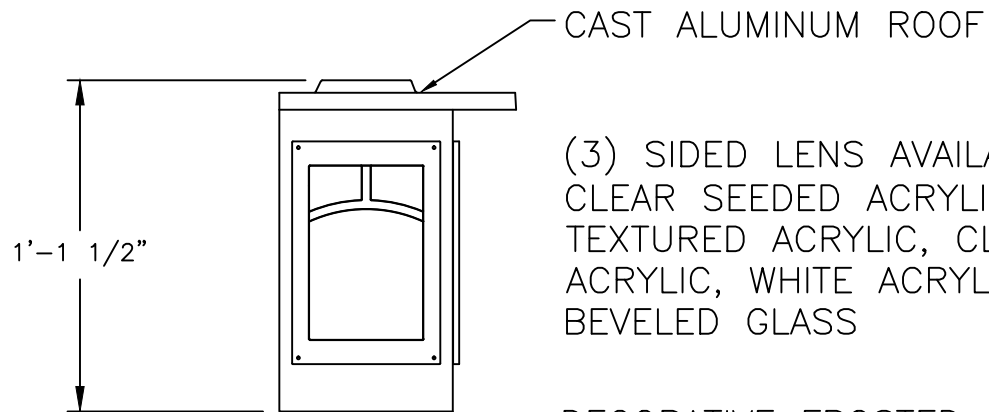
DRAWN LMG  
 DRAWN DATE JAN 25 2012  
 DRAWING NUMBER

# 710WB PRAIRIE RESIDENTIAL SERIES



ALL ELECTRICAL COMPONENTS ARE U.L. OR E.T.L. LISTED IN USA AND CANADA.

FIXTURE WILL BE PREWIRED AND TESTED.



(3) SIDED LENS AVAILABLE IN CLEAR SEEDED ACRYLIC, CLEAR TEXTURED ACRYLIC, CLEAR ACRYLIC, WHITE ACRYLIC OR BEVELED GLASS

DECORATIVE FROSTED CHIMNEY WITH MEDIUM BASE SOCKET OR DECORATIVE FROSTED CHIMNEY WITH FLUORESCENT SOCKET OR 3-LIGHT CLUSTER

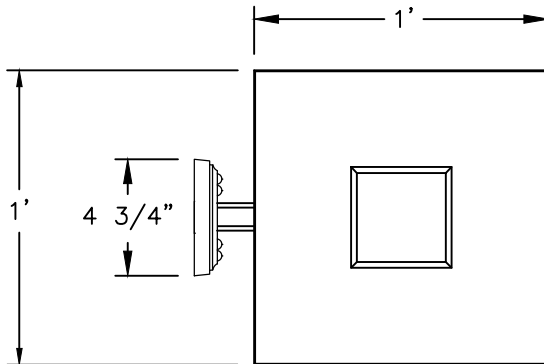
**STERNBERG**  
SINCE 1923

710WB

3/16"=1'

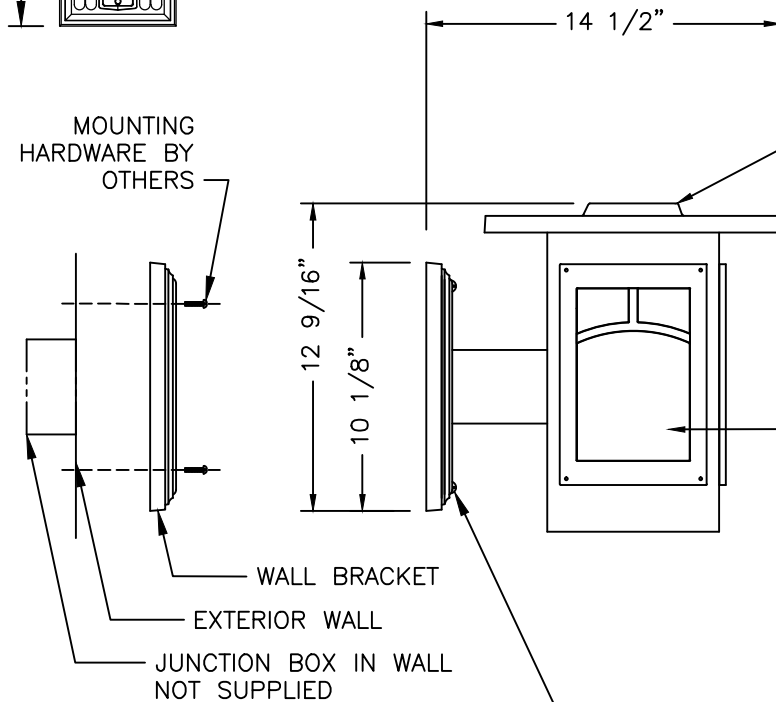
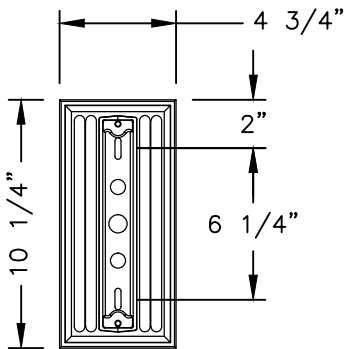
DRAWN LMG  
DRAWN DATE MAR 23 2012  
DRAWING NUMBER

# 710/77WB PRAIRIE RESIDENTIAL SERIES



ALL ELECTRICAL COMPONENTS ARE U.L. OR E.T.L. LISTED IN USA AND CANADA.

FIXTURE WILL BE PREWIRED AND TESTED.



CAST ALUMINUM ROOF

(3) SIDED LENS AVAILABLE IN CLEAR SEEDED ACRYLIC, CLEAR TEXTURED ACRYLIC, CLEAR ACRYLIC, WHITE ACRYLIC OR BEVELED GLASS

DECORATIVE FROSTED CHIMNEY WITH MEDIUM BASE SOCKET OR DECORATIVE FROSTED CHIMNEY WITH FLUORESCENT SOCKET OR 3-LIGHT CLUSTER

(2) 1/4-20 X 1 1/8" RHMS

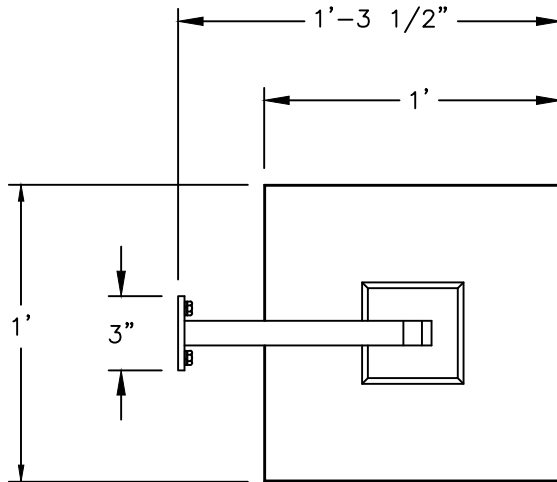


710/77WB

3/16"=1'

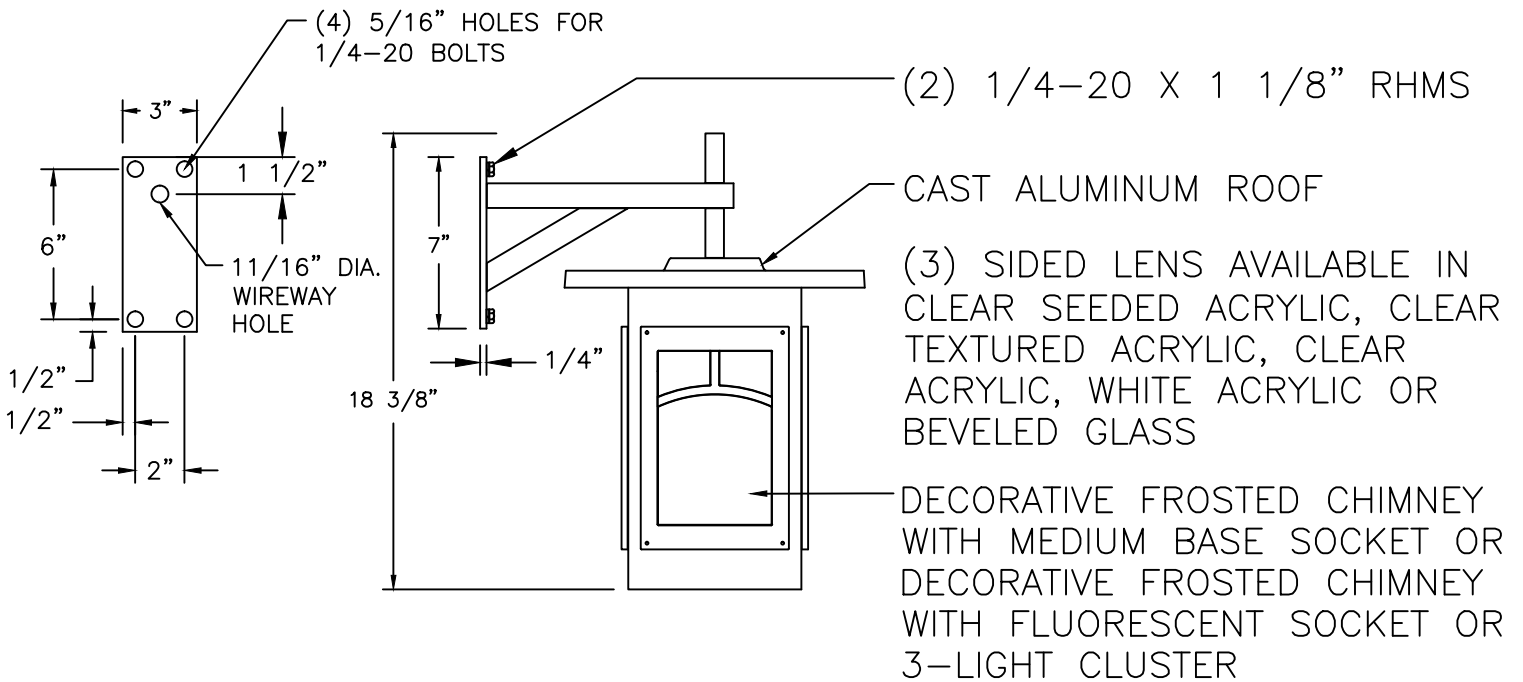
DRAWN LMG  
DRAWN DATE MAR 23 2012  
DRAWING NUMBER

# 710/HMA3 PRAIRIE RESIDENTIAL SERIES



ALL ELECTRICAL COMPONENTS ARE U.L. OR E.T.L. LISTED IN USA AND CANADA.

FIXTURE WILL BE PREWIRED AND TESTED.



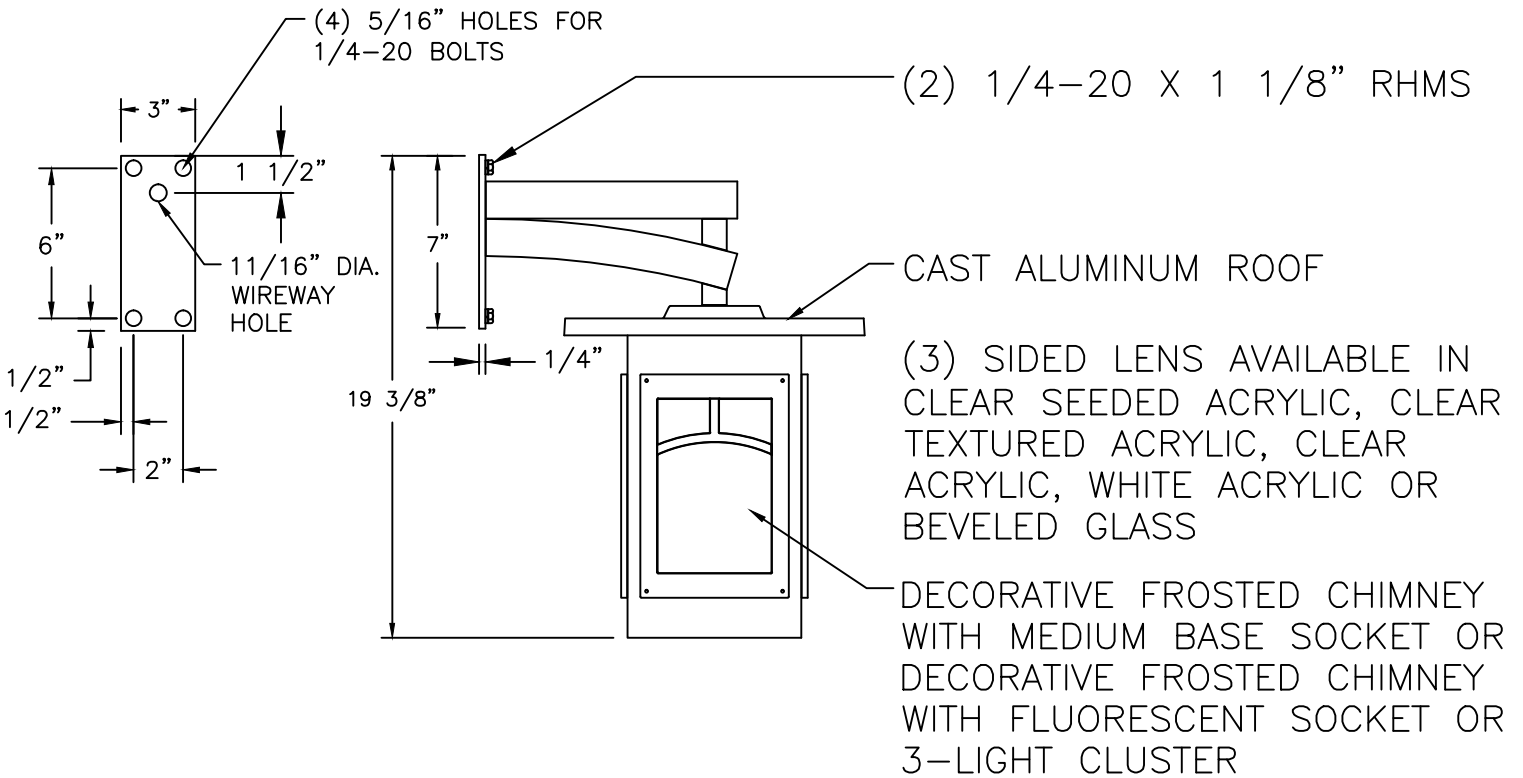
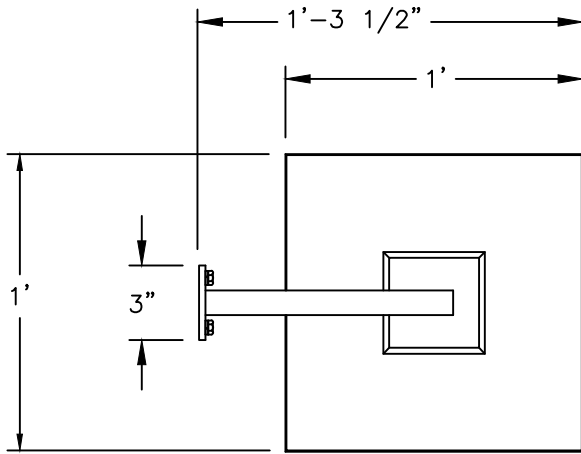
710/HMA3

3/16"=1'	DRAWN	LMG
	DRAWN DATE	MAR 23 2012
		DRAWING NUMBER

# 710/TPS3 PRAIRIE RESIDENTIAL SERIES

ALL ELECTRICAL COMPONENTS ARE U.L. OR E.T.L. LISTED IN USA AND CANADA.

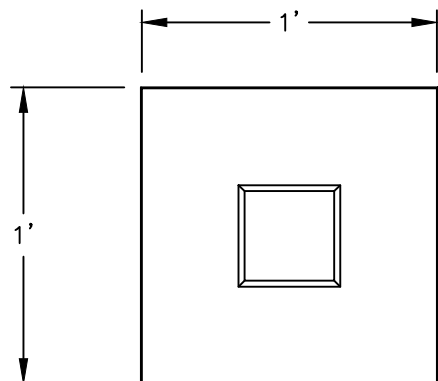
FIXTURE WILL BE PREWIRED AND TESTED.



710/TPS3

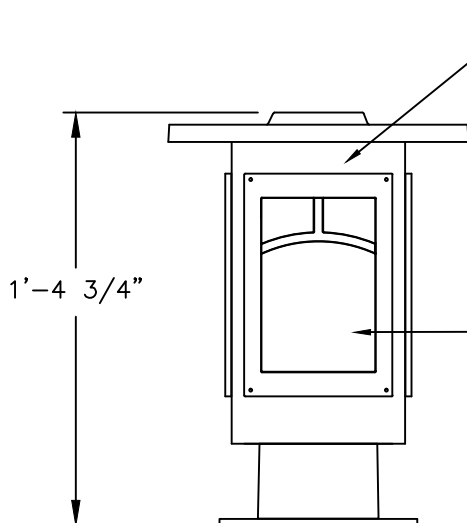
3/16"=1'	DRAWN LMG
	DRAWN DATE MAR 23 2012
DRAWING NUMBER	

# 710/PB PRAIRIE RESIDENTIAL SERIES



ALL ELECTRICAL COMPONENTS ARE U.L. OR E.T.L. LISTED IN USA AND CANADA.

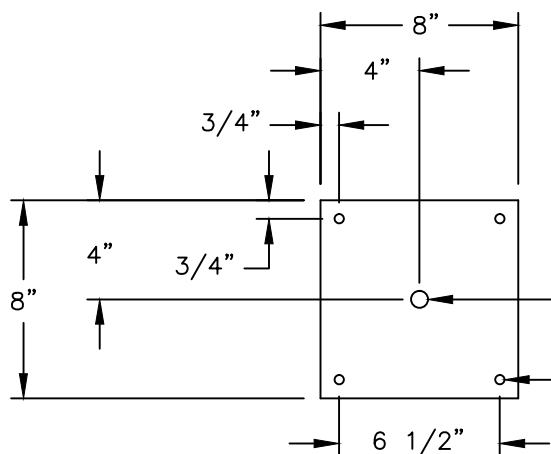
FIXTURE WILL BE PREWIRED AND TESTED.



CAST ALUMINUM ROOF

(3) SIDED LENS AVAILABLE IN CLEAR SEEDED ACRYLIC, CLEAR TEXTURED ACRYLIC, CLEAR ACRYLIC, WHITE ACRYLIC OR BEVELED GLASS

DECORATIVE FROSTED CHIMNEY WITH MEDIUM BASE SOCKET OR DECORATIVE FROSTED CHIMNEY WITH FLUORESCENT SOCKET OR 3-LIGHT CLUSTER



11/16" WIRE WAY HOLE

(4) 3/8" DIA. MOUNTING HOLES



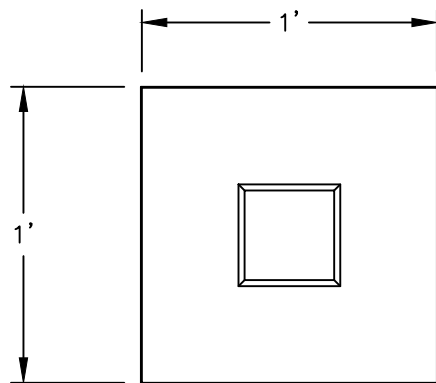
710/PB

3/16"=1'

DRAWN LMG  
 DRAWN DATE DEC 8 2011  
 DRAWING NUMBER

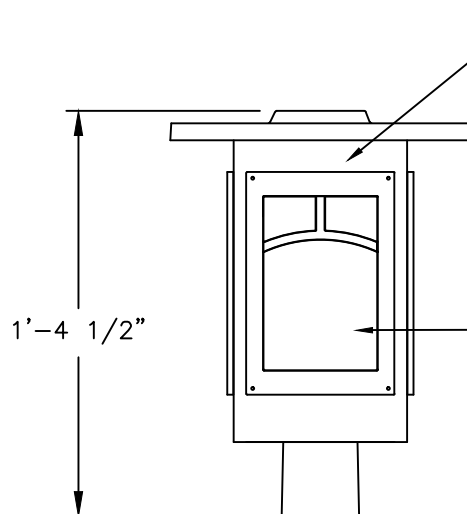


# 710PT PRAIRIE RESIDENTIAL SERIES



ALL ELECTRICAL COMPONENTS ARE U.L. OR E.T.L. LISTED IN USA AND CANADA.

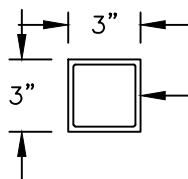
FIXTURE WILL BE PREWIRED AND TESTED.



CAST ALUMINUM ROOF

(3) SIDED LENS AVAILABLE IN CLEAR SEEDED ACRYLIC, CLEAR TEXTURED ACRYLIC, CLEAR ACRYLIC, WHITE ACRYLIC OR BEVELED GLASS

DECORATIVE FROSTED CHIMNEY WITH MEDIUM BASE SOCKET OR DECORATIVE FROSTED CHIMNEY WITH FLUORESCENT SOCKET OR 3-LIGHT CLUSTER



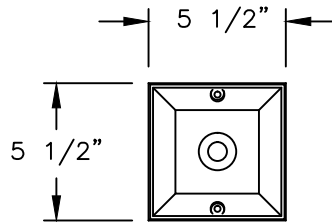
TO SLIP FIT 4" SQUARE TENON



710PT

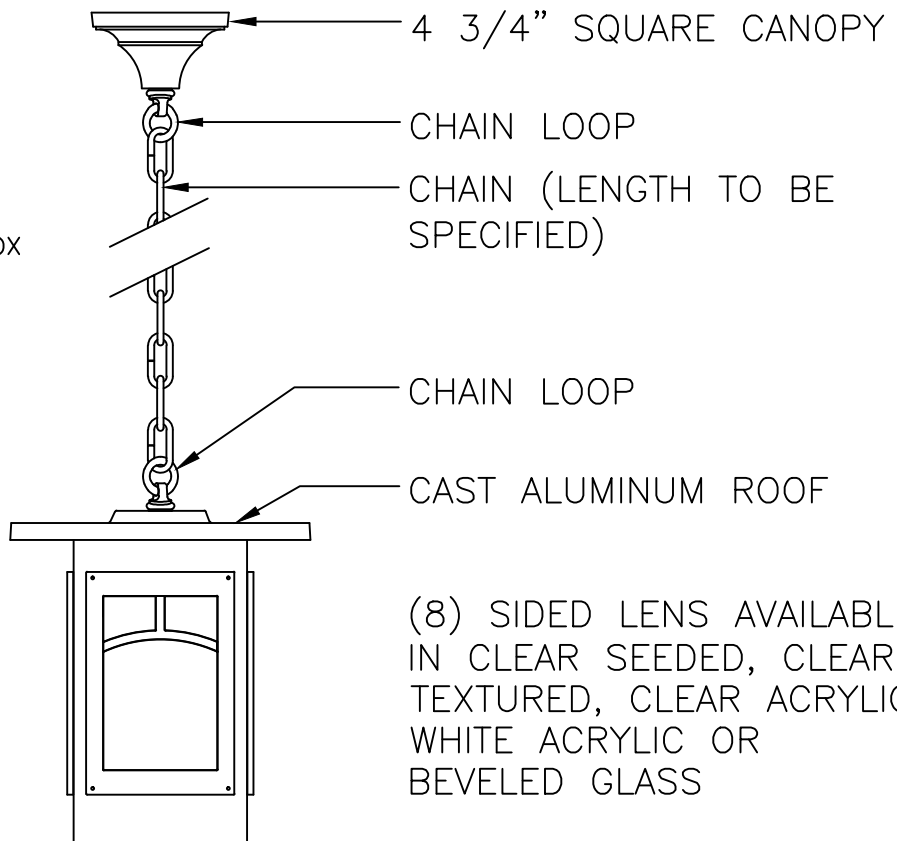
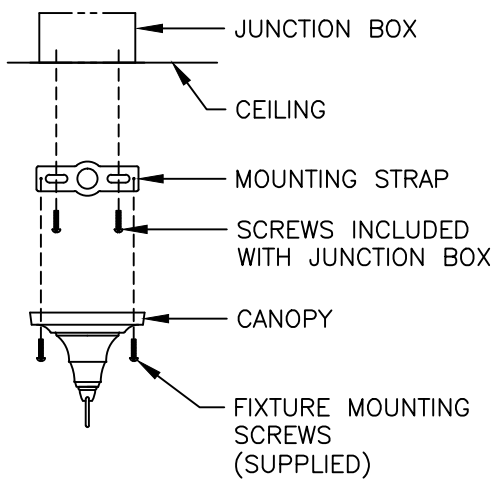
3/16"=1'	DRAWN LMG
	DRAWN DATE MAR 23 2012
DRAWING NUMBER	

# 710HCH27 PRAIRIE RESIDENTIAL SERIES



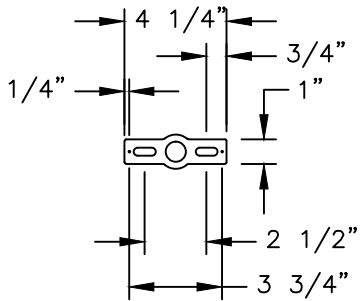
ALL ELECTRICAL COMPONENTS ARE U.L. OR E.T.L. LISTED IN USA AND CANADA.

FIXTURE WILL BE PREWIRED AND TESTED.



(8) SIDED LENS AVAILABLE IN CLEAR SEEDED, CLEAR TEXTURED, CLEAR ACRYLIC, WHITE ACRYLIC OR BEVELED GLASS

DECORATIVE FROSTED CHIMNEY WITH MEDIUM BASE SOCKET OR DECORATIVE FROSTED CHIMNEY WITH FLUORESCENT SOCKET OR 3-LIGHT CLUSTER



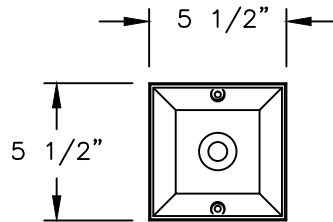
MOUNTING STRAP



710HCH27

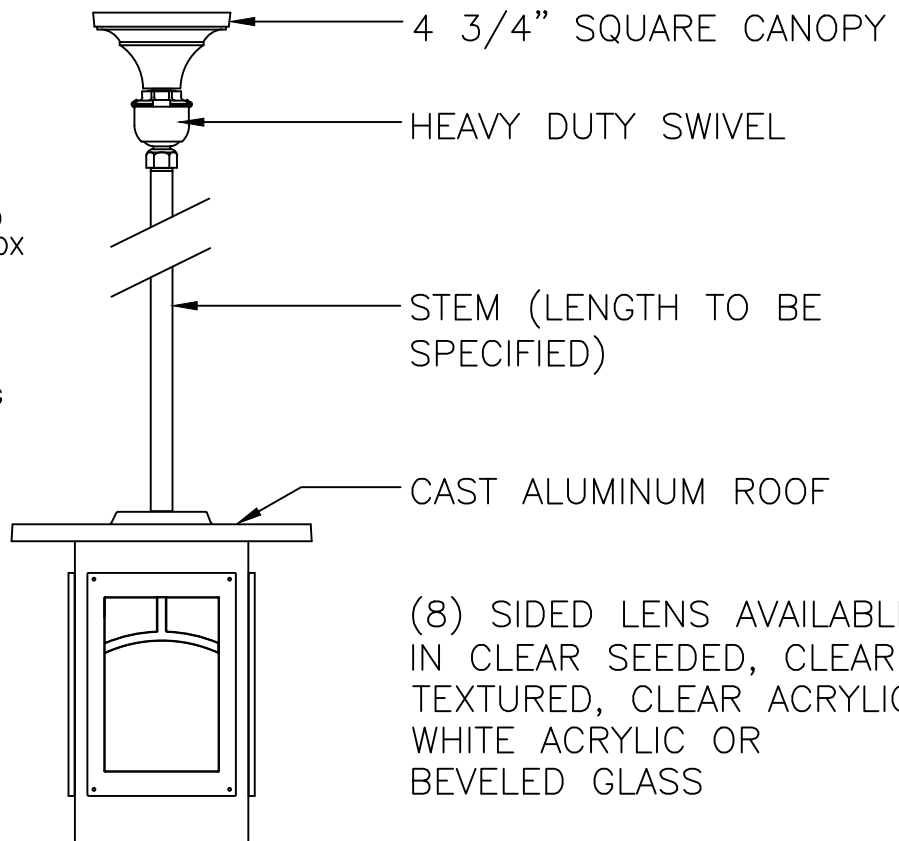
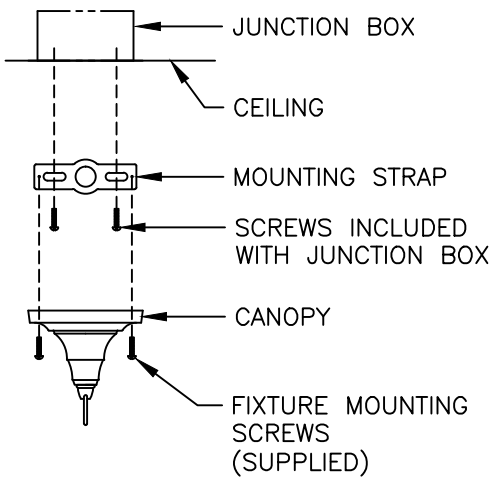
3/16"=1'	DRAWN	LMG
	DRAWN DATE	NOV 29 2011
		DRAWING NUMBER

# 710HSH27 PRAIRIE RESIDENTIAL SERIES



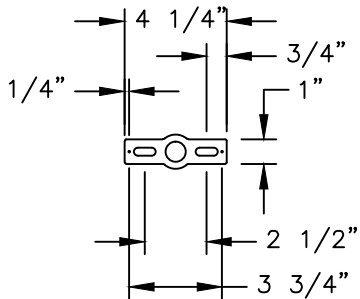
ALL ELECTRICAL COMPONENTS ARE U.L. OR E.T.L. LISTED IN USA AND CANADA.

FIXTURE WILL BE PREWIRED AND TESTED.



(8) SIDED LENS AVAILABLE IN CLEAR SEEDED, CLEAR TEXTURED, CLEAR ACRYLIC, WHITE ACRYLIC OR BEVELED GLASS

DECORATIVE FROSTED CHIMNEY WITH MEDIUM BASE SOCKET OR DECORATIVE FROSTED CHIMNEY WITH FLUORESCENT SOCKET OR 3-LIGHT CLUSTER



MOUNTING STRAP



710HSH27

3/16"=1'	DRAWN	LMG
	DRAWN DATE	NOV 29 2011
		DRAWING NUMBER