

# 6130D HARVEST MOON SERIES

# SPECIFICATIONS

## GENERAL

The 6130D Harvest Moon is a modern replica of an elegantly styled fixture featuring a tapered six sided cage and white acrylic translucent 12" dome roof. It shall be appointed with a cast aluminum decorative finial.

## POST FITTER

The fitter shall be heavy wall cast aluminum, 356 alloy for high tensile strength. It shall have an inside diameter opening to attach to a 3" pole or tenon. When ordered with a Sternberg pole, the fitter shall be set screwed to the pole top or tenon.

## BALLAST HOUSING

The ballast housing shall be heavy wall cast aluminum, 356 alloy for high tensile strength. The housing shall be mounted to the cast fitter with one screw. The ballast shall be attached against the ballast housing by 4 studs to ensure high capacity heat sinking of ballast temperatures, keeping the ballast cooler and ensuring long life.

## ELECTRICAL

Fixture shall be U.L. or E.T.L. listed in U.S. and Canada. H.I.D. ballasts shall be high power factor with lamp starting down to -30 degrees C. Medium base and mogul base porcelain sockets are 4KV rated. The ballast/socket assembly shall be pre-wired when ballast is located in the fitter. All compact fluorescent (PL) ballasts shall be instant start electronic with a starting temperature of down to 0 degrees F. They shall have a 4-pin socket to accept quad or triple tube lamps. Ballasts shall be DOE EISA compliant.

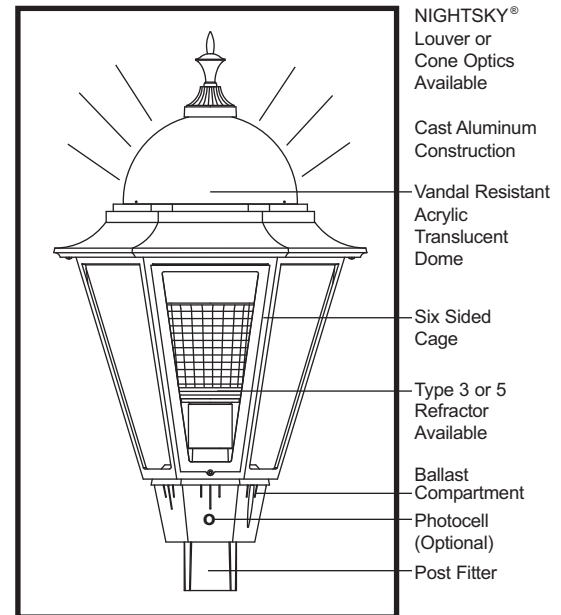
## FIXTURE HOUSING

The fixture shall be 21" wide and 43" tall. It shall be made of heavy wall cast aluminum, 356 alloy and lenses will be made of vandal resistant acrylic, available in clear, clear seeded, clear textured, prismatic and white acrylic. Ballast is accessible from inside the lamp compartment. It features a translucent dome of vandal resistant acrylic for up-light.

## OPTICAL OPTIONS

Refractors shall be 6" diameter borosilicate glass with an I.E.S. Type 3 (RE3) or Type 5 (RE5) distribution. It shall be secured to the socket stem with 3/8" plated steel threaded pipe nipple and rest on a cast aluminum holder with anti-shock gasket. The refractor will be secured to cast holder with a quarter-turn internal aluminum twist ring for ease of maintenance.

The NIGHTSKY® OPTI-SHIELD® Louver Optic System (LO) shall be a multi-tier reflector with 7" diameter rings to produce an I.E.S. Cut-off Type 3 or 5 distribution. The Louver Optic System shall be made of highly specular anodized aluminum and shall come standard with medium base socket.



**EPA = 2.32 (ft<sup>2</sup>)**  
**WEIGHT = 40 LBS**

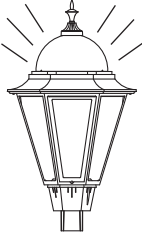

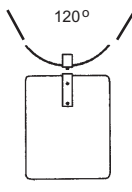



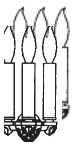
**LIST NO.**  
**6130D**  
**HARVEST**  
**MOON**  
**SERIES**

**Cone Optics Type 3 (CO3) distribution or Type 5 (CO5) distribution uses a vertically mounted**

# 6130D HARVEST MOON

# FIXTURES / FITTERS / ARMS PM - WB

## FIXTURES / OPTICAL SYSTEMS

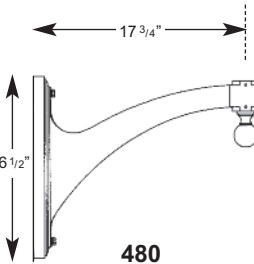
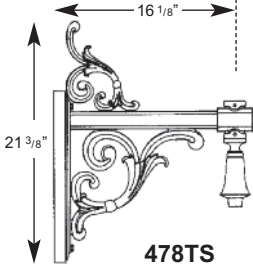
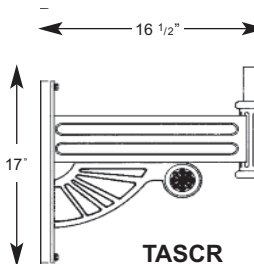
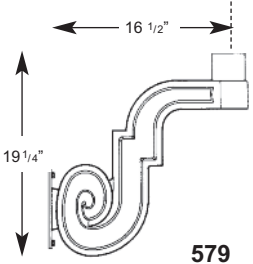
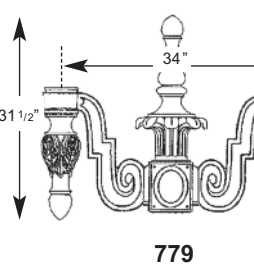
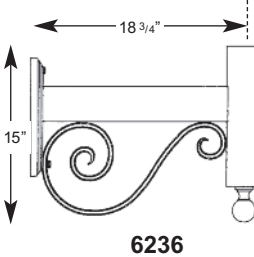
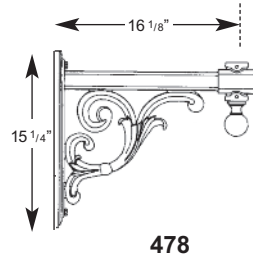
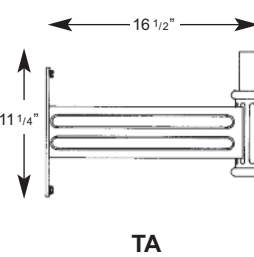
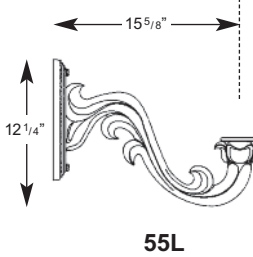
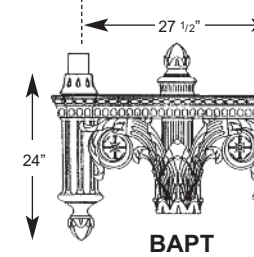
 <p>21" W 43"</p> <p><b>6130D</b> Glow Top Open Roof</p>	<p><b>Alzak Disc</b></p>  <p><b>RE3</b> <b>RE5</b> Refractor</p>	 <p>120°</p> <p><b>HSS</b> House Side Shield</p>	 <p><b>FHC</b> Frosted Chimney</p>	 <p><b>CO3</b> <b>CO5</b> Cone Optics</p>	 <p><b>LO3</b> <b>LO5</b> Louver Optics</p>	 <p><b>6L</b> 6 Light Cluster</p>
---	---	---	---	--	--	--

## LENSES

 <p><b>CSA</b> Clear Seeded Acrylic</p>	 <p><b>CA</b> Clear Acrylic</p>	 <p><b>CTA</b> Clear Textured Acrylic</p>	 <p><b>PA</b> Prismatic Acrylic</p>	 <p><b>WA</b> White Acrylic</p>
--	--	--	---	--

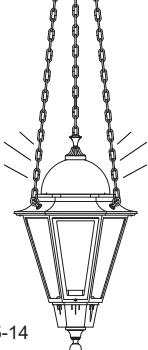
## ARMS - POST MOUNT (PM) or WALL BRACKETS (WB)

See Arms Section for more information

 <p>17 3/4" 16 1/2"</p> <p><b>480</b></p>	 <p>16 1/8" 21 3/8"</p> <p><b>478TS</b></p>	 <p>16 1/2" 17"</p> <p><b>TASC</b></p>	 <p>16 1/2" 19 1/4"</p> <p><b>579</b></p>	 <p>34" 31 1/2"</p> <p><b>779</b></p>
 <p>18 3/4" 15"</p> <p><b>6236</b></p>	 <p>16 1/8" 15 1/4"</p> <p><b>478</b></p>	 <p>16 1/2" 11 1/4"</p> <p><b>TA</b></p>	 <p>15 5/8" 12 1/4"</p> <p><b>55L</b></p>	 <p>27 1/2" 24"</p> <p><b>BAPT</b></p>

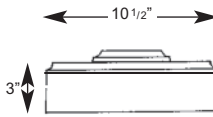
## HANGING TYPES

## PIER BASE MOUNT



**CH44**  
Chain Hung  
**6130D**  
Shown

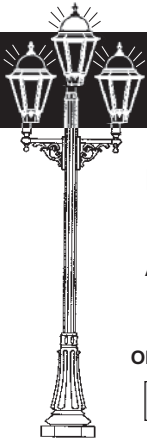
5-14

10 1/2"  
3"

**450PB**

# BUILDING A PART NUMBER



## POST & ARM FIXTURES

ARM MOUNTED FIXTURE		CENTER POST TOP FIXTURE (PT)	POST	POST CAP	LIGHT SOURCE BALLAST	OPTICS	OPTIONS	LENS	FINISH
NO. OF ARMS	FIXTURE / POSTARM	FIXTURE	(See Post Section)		WATTS / TYPE / VOLTS				
2	6130D/478PM	6130D	PT	5412FP5	100HPS120	RE3/FHC	PEC1	CA	BK



## WALL FIXTURES

FIXTURE / WALLBRACKET	LIGHT SOURCE BALLAST	OPTICS	OPTIONS	LENS	FINISH	PIER FIXTURES Uses same information boxes as wall fixture
WATTS / TYPE / VOLTS						
6130D/480WB	100 HPS120	RE5	PEC1	CA	BK	6130D/450PB

FIXTURE / FITTER / PIER BASE



## PART NUMBER SELECTIONS

### FIXTURE

- 6130D

### OPTICS

- RE3
- RE5
- ALZAK
- HSS
- LO3
- LO5
- FHC<sup>2</sup>
- CO3
- CO5
- 6L

### POST ARMS

- 478PM
- 478TSPM
- 480PM
- 480DPM
- 55LPM
- 6236PM
- 579PT
- 779PT
- BAPT
- TAPT
- TASCRIPT

### VOLTAGES

- 120
- 208
- 240
- 277
- 480
- MULTI  
(120-277)

### WALL BRACKET ARMS

- 478WB
- 478TSWB
- 480WB
- 480DWB
- 55WB
- 6236WB
- 579WB
- TAWB
- TASCROWB

### PIER MOUNT

- 450PB

### LENSES

- CSA
- CA
- CTA
- PA
- WA

### BALLASTS<sup>3,6</sup>

- 35HPS<sup>1</sup>
- 50HPS
- 70HPS
- 100HPS
- 150HPS
- 50MHP
- 70MHP
- 100MHP
- 150MHP
- 175MHP<sup>7</sup>
- 26PLT
- 32PLT
- 42PLT
- INCAND

### LAMPS<sup>6</sup>

- HPS35/MED
- HPS50/MED
- HPS70/MED
- HPS100/MED
- HPS150/MED
- MHP50/MED
- MHP70/MED
- MHP100/MED
- MHP150/MED
- MHP175/MOG/ED28<sup>7</sup>
- PLT26
- PLT32
- PLT42

### HANGING TYPE

- CH44

### STANDARD FINISHES\*

- BKT Black Textured
- WHT White Textured
- PGT Park Green Textured
- ABZT Architectural Medium Bronze Textured
- DBT Dark Bronze Textured

\*Smooth Finishes are available upon request

### CUSTOM FINISHES

- OI Old Iron
- RT Rust
- WBR Weathered Brown
- CD Cedar
- WBK Weathered Black
- TT Two Tone

### STERNBERG SELECT FINISHES

- VG Verde Green
- SI Swedish Iron
- OWGT Old World Gray Textured

### OPTIONS

- PEC1 Photocell-Bimetal 120 Volt
- PEC2 Photocell-Bimetal 208-277 Volt
- PEC1-E Photocell-Electronic 120 Volt
- PEC2-E Photocell-Electronic 208-277 Volt
- FHS Single Fuse and Holder-120,277 Volt
- FHD Dual Fuse and Holder-208,240,480 Volt
- PF Pineapple Finial or Font (TA, TASCRT)
- BF Ball Finial or Font (TA, TASCRT)
- LAMPS Select from List

### NOTES:

- 35HPS is 120 volt only.
- MED base only when used to house lamp.
- Medium base sockets standard with ballasts up to 150 watts HID. Mogul base sockets are standard
- with ballasts 200 watts and over. 4-pin for PL.
- Medium base lamp only. Consult factory for mogul base.
- Can support PLH or PLT up to 60 watts.
- Metal halide systems are pulse start.
- Consult factory for limitations.

# 6130D HARVEST MOON SERIES

# SPECIFICATIONS

**LIST NO.  
6130D  
HARVEST  
MOON  
SERIES**

lamp inside a highly specular reflector system to provide a reduction of uplight with a wide lighting span.

**House Side Shield (HSS)** is an option which will block up to 120° of light in any one direction.

**6-Light (6L)** candelabra set is an option for incandescent application.

## PHOTOCELLS

Photocells shall be either the thermo bi-metal button type or the electronic button type. On single post top fixtures the photocell shall be mounted in the fitter and pre-wired to ballast. On multiple head fixture assemblies photocells shall be mounted in the pole shaft on an access plate and are not pre-wired as ballast housing assemblies and fitters are packaged separately for ease of wiring to source. The thermo bi-metal photocell shall be designed to turn on at 1.0 footcandle and turn off at not more than 5 footcandles. The electronic button type photocell is instant on and a 5-10 second turn off and shall turn on at 1.5 footcandles with a turn-off at 2-3 footcandles. Photocells are either 120 volt or 208 thru 277 volt.

## ARMS

All arms are made of cast aluminum and/or extruded aluminum. Arms with decorative filigree have meticulously detailed scroll work and gracefully curved brackets. All 6130D fixtures will have its fitter welded or mechanically attached to the arm at the factory to ensure arms will be plumb, secure and level over the life of the installation. Each arm shall be bolted to a post mount adapter, which is welded to the pole to ensure proper alignment to the base. Twin TA, TASC and 579 arms will be attached to a decorative center hub which will slip-fit the center tenon of the pole (not shown). BA and 779 arms are available as a twin application. Arms are pre-wired for ease of installation.

## FINISH

Prior to coating, each assembly shall be chemically cleaned and etched in a 5-stage washing system which includes alkaline cleaning, rinsing, phosphoric etching, reverse osmosis water rinsing, and non-chrome sealing to ensure corrosion resistance and excellent adhesion for the finish coating. The finish coating shall be electrostatically applied semi-gloss, super durable polyester powder baked at 400 degrees for a durable and superior, color retentive finish. Our optional antique Verde Green finish and Swedish Iron finish are hand brushed using a 3-step process. The total assembly shall be wrapped in shockproof wrapping or fully enclosed in corrugated cartons.

## WARRANTY

Five-year limited warranty. See product and finish warranty guide for details.

