



5400 HAMILTON SERIES

ORNAMENTAL POLE

DIMENSIONS
22" Ø
43" TALL



JOB NAME _____

FIXTURE TYPE _____

MEMO _____

BUILD A PART NUMBER

ORDERING EXAMPLE: 5414FP5-.188-BCC-GFILPIUC-SH/BKT

Base Model	Height	Shaft	Wall Thickness	Post Center Cap	Option Burial	Option Photocell	Option Receptacle	Option Flag Pole Holder	Option Banner Arms	Option Planter Arms	Option Sign Arms	Option Speaker Hub	Option Sign Bracket	Option Steel Wreath Hook	Finish

Base Model

- 54

Height (in feet)

- 8 • 10 • 12 • 14
- 16 • 18 • 20 • 22

Shaft

- T5: 5" - 3" Tapered Smooth
- T54: 5" - 4" Tapered Smooth
- T6: 6" - 3" Tapered Smooth
- T64: 6" - 4" Tapered Smooth
- P5: 5" Straight Smooth
- P6: 6" Straight Smooth
- FP5: 5" Straight Fluted
- FP6: 6" Straight Fluted
- TFP6: 6" - 3" Cast Tapered Fluted
- ETFP6: 6" - 4" Extruded Tapered Fluted

¹ Not available in .125 wall.
² Only available in .250 wall.
³ Heights limited to 11'-7", 13'-7", 15'-8".
⁴ 21'-6" max height.

Wall Thickness

- .125: 1/8" Wall Thickness
- .188: 3/16" Wall Thickness
- .250: 1/4" Wall Thickness
- C³: Cast Shaft, Varied Wall Thickness

⁵ For cast "TFP" shafts only.

Post Center Cap (if required)

(Click here to view post cap sheet)

- BCC • FCC • SCC • TFCC
- SSCC • RCC • PCC

Options (Click here to view accessories sheet)

- DB4 Direct Burial mounting style pole, with 4' direct burial section (or advise other length)
- HXB Helix Base mounting style pole
- PCD Electronic Button Photocontrol, mounted

- on an access door (120V-277V)
- PCD4 Electronic Button Photocontrol, mounted on an access door (480V)
- GFI LPIUC 15 Amp duplex GFCI receptacles with a low-profile in-use cover
- GFI IUC 15 Amp duplex GFCI receptacles with a standard in-use cover
- USB LPIUC 15 Amp duplex USB/Receptacle combo with a low-profile in-use cover (NON-GFI)
- USB IUC 15 Amp duplex USB/Receptacle combo with a standard in-use cover (NON-GFI)
- GFI IB 15 Amp duplex GFCI receptacle in pole base, includes mouse hole on door for wire access
- USB IB 15 Amp duplex USB/Receptacle combo in pole base, includes mouse hole on door for wire access (NON-GFI)
- GFB Remote Ground Fault Breaker installed in pole base (for use with NON-GFCI receptacles)
- FH Cast Aluminum flag holder mount, for use with 1" diameter flag pole
- SBA Single Banner Arm, "PM" style mount
- DBA Double Banner Arms, "PM" style mount
- SBAR Single Banner Arm and Ring, for triangle banners, "PM" style mount
- HSBA Single Banner Arm, HUB mount style mount
- HDBA Double Banner Arms, HUB mount style mount
- DBDA6 Double Banner Arms, Break-Away style, to break with 60MPH wind gust
- DBDA9 Double Banner Arms, Break-Away style, to break with 90MPH wind gust
- C4SBA Single Banner Arm, Clamp-Style mount, for 4" diameter poles
- C5SBA Single Banner Arm, Clamp-Style mount, for 5" diameter poles

- C4DBA Double Banner Arms at 180°, Clamp-Style mount, for 4" diameter poles
- C5DBA Double Banner Arms at 180°, Clamp-Style mount, for 5" diameter poles
- DHPA Double Hooked Planter Arm
- SHPA Single Hooked Planter Arm
- DSPA Double Stepped Planter Arm
- SSPA Single Stepped Planter Arm
- PA478 Cast aluminum decorative planter arm
- SA78 Small cast aluminum decorative sign arm, with 24" long channel for blade sign by others
- SA478 Large cast aluminum decorative sign arm, with 24" long channel for blade sign by others
- SABA Banner arm style sign arm, with 24" long channel for blade sign by others
- SH Female threaded speaker hub, advise thread size
- SB Sign Bracket, vertically mounted on pole shaft
- WHIK Steel wreath hook

Finish (Click here to view paint finish sheet)

Standard Finishes⁶

- BKT Black Textured
- WHT White Textured
- PGT Park Green Textured
- ABZT Architectural Medium Bronze Textured
- DBT Dark Bronze Textured

⁶ Smooth finishes are available upon request.

Custom Finishes⁷

- CM Custom Match
- OI Old Iron
- RT Rust
- WBR Weathered Brown
- CD Cedar
- WBK Weathered Black
- TT Two Tone

⁷ Custom colors require upcharge.

See next page



800-621-3376
 555 Lawrence Ave., Roselle, IL 60172
 info@sternberglighting.com
 www.sternberglighting.com

5400 HAMILTON SERIES

ORNAMENTAL POLE

Sternberg Select Finishes

- **VG** Verde Green
- **SI** Swedish Iron
- **OWGT** Old World Gray Textured

Specifications

Construction

The one piece base is made of heavy wall 356 alloy cast aluminum with a 1" thick floor cast as an integral part of the base. The high tensile aluminum shaft shall be double circumferentially welded internally and externally to the base for added strength.

Tenon

Standard tenon size to be 3" OD x 3" tall, consult factory for additional sizes.

Shaft

The **straight smooth shaft** shall be made of ASTM 6063 extruded aluminum and tempered to a T6 condition

The **tapered smooth shaft** shall be made of ASTM 6063 extruded aluminum and tempered to a T6 condition

The **straight fluted shaft** shall be made of ASTM 6061 extruded aluminum and tempered to a T6 condition

The **tapered fluted shaft** shall be made of heavy wall 356 alloy cast aluminum.

The **extruded tapered fluted shaft** shall be made of ASTM 6063 extruded aluminum and tempered to a T6 condition

Installation

Four 1" diameter, hot-dipped galvanized "L" type anchor bolts shall be provided with the

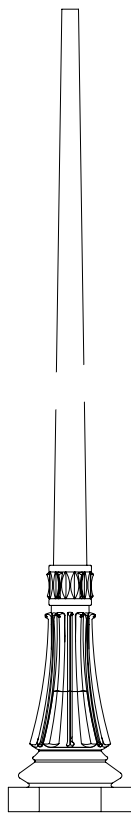
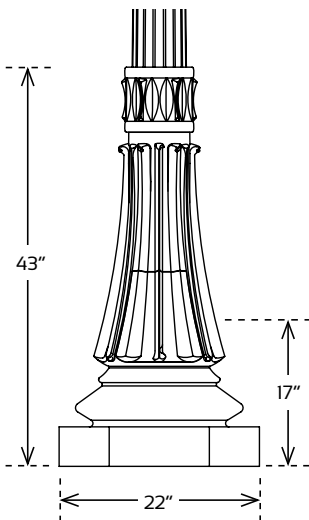
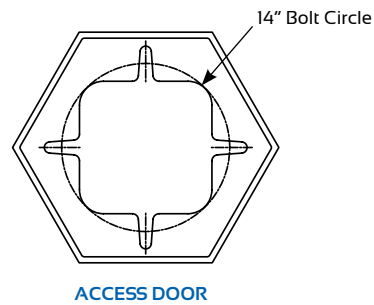
post for anchorage, they shall be mounted in a 14" bolt circle. A door shall be provided for wiring and anchor bolt access. It shall be secured with tamper proof stainless steel hardware. Post will be provided with a grounding stud mounted on the base floor opposite the access door.

Warranty

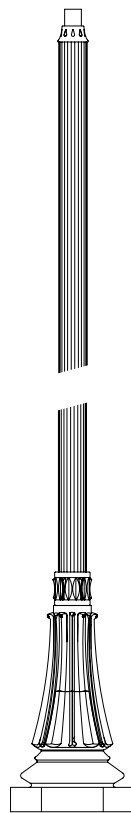
Five-year limited warranty. See product and finish warranty guide for details.

Finish

Refer to website for details.



TAPERED
SMOOTH
SHAFT



STRAIGHT
FLUTED
SHAFT



TAPERED
FLUTED
SHAFT



SternbergLighting

ESTABLISHED 1923 / EMPLOYEE OWNED

800-621-3376
555 Lawrence Ave., Roselle, IL 60172
info@sternberglighting.com
www.sternberglighting.com

5400 HAMILTON SERIES

ORNAMENTAL POLE

EPA Chart - AASHTO 2009

POLE HEIGHT	90 MPH	100 MPH	110 MPH	120 MPH	130 MPH	140 MPH	150 MPH
FP5 5" Straight Fluted Pole - 0.188" Wall Thickness							
8	28.13	22.55	18.43	15.29	12.84	10.91	9.34
10	19.90	15.81	12.79	10.49	8.69	7.27	6.13
12	14.98	11.75	9.36	7.55	6.13	5.01	4.11
14	11.64	8.98	7.00	5.50	4.33	3.41	2.66
16	9.18	6.91	5.23	3.95	2.95	2.17	1.53
FP5 5" Straight Fluted Pole - 0.25" Wall Thickness							
14	15.58	12.17	9.64	7.72	6.22	5.03	4.08
16	12.54	9.63	7.48	5.84	4.56	3.55	2.74
18	10.18	7.65	5.77	4.35	3.24	2.36	1.65
20	8.28	6.04	4.37	3.11	2.13	1.35	0.72
22	6.69	4.68	3.19	2.05	1.17		
FP6 6" Straight Fluted Pole - 0.25" Wall Thickness							
14	23.68	18.64	14.90	12.06	9.85	8.10	6.68
16	19.29	14.99	11.81	9.39	7.51	6.02	4.81
18	15.91	12.17	9.40	7.29	5.65	4.35	3.30
20	13.21	9.89	7.44	5.57	4.12	2.97	2.04
22	10.97	7.99	5.79	4.11	2.81	1.78	0.94
P5 5" Straight Smooth Shaft - 0.125" Wall Thickness							
8	19.36	15.62	12.87	10.77	9.15	7.86	6.83
10	13.65	10.98	9.02	7.53	6.37	5.46	4.73
12	10.23	8.19	6.70	5.57	4.69	4.00	3.45
14	7.90	6.29	5.11	4.22	3.54	3.00	2.57
16	6.18	4.88	3.93	3.22	2.67	2.24	1.90
P5 5" Straight Smooth Shaft - 0.188" Wall Thickness							
12	15.49	12.45	10.22	8.52	7.21	6.17	5.34
14	12.25	9.81	8.02	6.66	5.62	4.79	4.13
16	9.88	7.87	6.40	5.30	4.44	3.77	3.23
18	8.05	6.38	5.15	4.23	3.53	2.97	2.53
20	6.58	5.16	4.14	3.37	2.78	2.32	1.96
P5 5" Straight Smooth Shaft - 0.25" Wall Thickness							
14	16.19	13.00	10.65	8.88	7.50	6.42	5.55
16	13.24	10.59	8.65	7.18	6.05	5.16	4.44
18	10.98	8.74	7.11	5.88	4.93	4.18	3.59
20	9.17	7.26	5.87	4.82	4.02	3.39	2.89
22	7.67	6.03	4.84	3.95	3.26	2.73	2.31
P6 6" Straight Smooth Shaft - 0.125" Wall Thickness							
8	20.53	16.56	13.63	11.41	9.66	8.23	7.08
10	15.69	12.62	10.36	8.65	7.30	6.17	5.26
12	12.44	9.97	8.16	6.79	5.70	4.77	4.01
14	10.08	8.04	6.55	5.42	4.52	3.73	3.09
16	8.25	6.55	5.30	4.36	3.61	2.92	2.36
P6 6" Straight Smooth Shaft - 0.188" Wall Thickness							
12	23.52	18.96	15.60	13.05	11.05	9.40	8.07
14	18.91	15.21	12.48	10.42	8.80	7.44	6.34
16	15.58	12.50	10.23	8.52	7.16	6.00	5.07
18	13.05	10.43	8.51	7.06	5.91	4.90	4.08
20	11.03	8.78	7.13	5.89	4.90	4.01	3.28

* Consult factory for other heights.

** All EPA values expressed in square feet.



SternbergLighting

ESTABLISHED 1923 / EMPLOYEE OWNED

800-621-3376
 555 Lawrence Ave., Roselle, IL 60172
 info@sternberglighting.com
 www.sternberglighting.com

2/20 STERNBERG LIGHTING. ALL RIGHTS RESERVED. PRINTED IN THE USA.

5400 HAMILTON SERIES

ORNAMENTAL POLE

EPA Chart - AASHTO 2009

POLE HEIGHT	90 MPH	100 MPH	110 MPH	120 MPH	130 MPH	140 MPH	150 MPH
P6 6" Straight Smooth Shaft - 0.25" Wall Thickness							
14	24.86	20.03	16.47	13.77	11.65	9.90	8.48
16	20.65	16.61	13.63	11.37	9.59	8.10	6.89
18	17.46	14.01	11.46	9.54	8.02	6.72	5.67
20	14.94	11.95	9.75	8.09	6.77	5.62	4.69
22	12.89	10.27	8.35	6.90	5.75	4.71	3.88
T5 5"-3" Smooth Tapered Shaft - 0.125" Wall Thickness							
8	11.12	8.88	7.29	6.08	5.15	4.41	3.82
10	7.62	6.00	4.90	4.06	3.42	2.91	2.50
12	5.48	4.23	3.41	2.80	2.33	1.97	1.67
14	3.99	2.98	2.37	1.91	1.56	1.29	1.08
16	2.86	2.03	1.56	1.22	0.97	0.77	0.62
5T5 5"-3" Smooth Tapered Shaft - 0.188" Wall Thickness							
10	11.57	9.20	7.54	6.28	5.31	4.54	3.92
12	8.60	6.75	5.50	4.56	3.83	3.25	2.80
14	6.56	5.07	4.09	3.36	2.80	2.36	2.01
16	5.05	3.80	3.03	2.46	2.02	1.68	1.41
18	3.86	2.79	2.18	1.73	1.39	1.13	0.92
T5 5"-3" Smooth Tapered Shaft - 0.25" Wall Thickness							
14	8.90	6.96	5.65	4.67	3.92	3.32	2.85
16	7.04	5.41	4.36	3.57	2.97	2.50	2.12
18	5.59	4.20	3.34	2.71	2.22	1.84	1.54
20	4.41	3.20	2.51	1.99	1.60	1.30	1.06
22	3.41	2.36	1.79	1.38	1.07	0.83	0.65
T6 6"-3" Smooth Tapered Shaft - 0.125" Wall Thickness							
8	16.57	13.37	11.00	9.20	7.81	6.71	5.82
10	11.59	9.31	7.63	6.36	5.38	4.60	3.98
12	8.59	6.86	5.59	4.64	3.90	3.32	2.85
14	6.53	5.17	4.18	3.44	2.87	2.42	2.06
16	4.99	3.91	3.12	2.54	2.09	1.74	1.46
T6 6"-3" Smooth Tapered Shaft - 0.188" Wall Thickness							
12	13.22	10.62	8.70	7.24	6.12	5.23	4.52
14	10.36	8.27	6.75	5.59	4.70	4.00	3.44
16	8.25	6.55	5.31	4.37	3.65	3.09	2.64
18	6.62	5.21	4.18	3.24	2.83	2.37	2.00
20	5.29	4.12	3.27	2.63	2.15	1.78	1.48
T6 6"-3" Smooth Tapered Shaft - 0.25" Wall Thickness							
14	13.88	11.13	9.11	7.58	6.39	5.46	4.71
16	11.26	8.99	7.32	6.06	5.09	4.33	3.72
18	9.23	7.33	5.94	4.89	4.08	3.45	2.95
20	7.61	5.99	4.82	3.94	3.26	2.73	2.32
22	6.25	4.88	3.88	3.14	2.57	2.13	1.78

* Consult factory for other heights.
 ** All EPA values expressed in square feet.