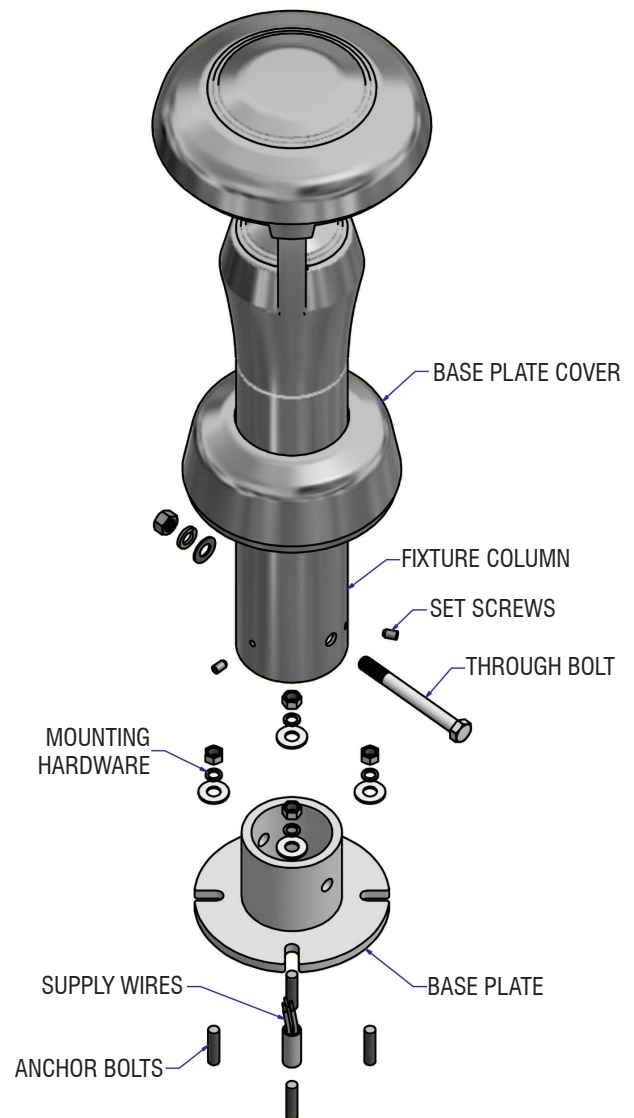
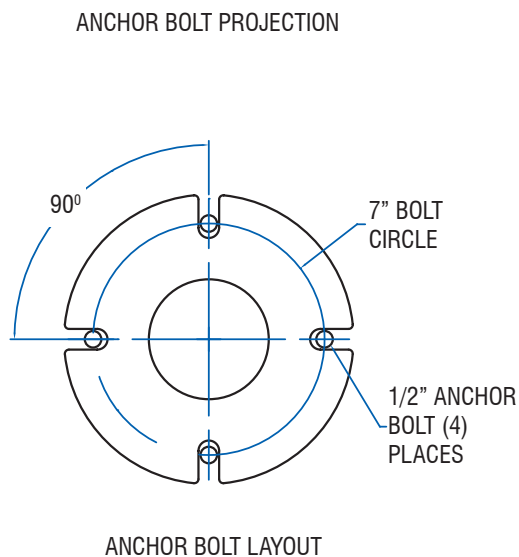
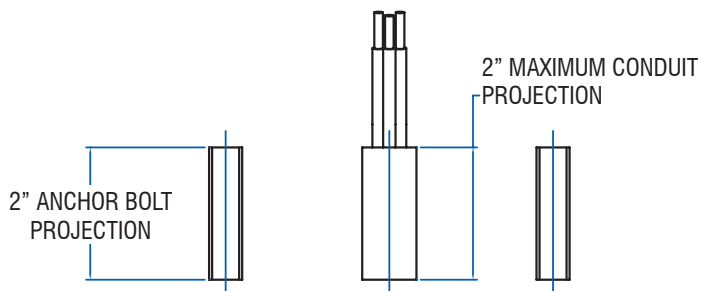


SL360 BOLLARD

INSTALLATION INSTRUCTIONS

- WARNING:** TO AVOID FIRE, SHOCK OR DEATH, TURN OFF AND LOCKOUT POWER BEFORE PERFORMING ANY MAINTENANCE.
- CAUTION:** THIS FIXTURE MUST BE WIRED IN ACCORDANCE WITH THE NATIONAL ELECTRIC CODE AND ALL APPLICABLE LOCAL CODES. PROPER GROUNDING IS REQUIRED. ALL WORK SHOULD BE DONE BY A QUALIFIED ELECTRICIAN.

1. Place the base plate over the anchor bolts and secure with the mounting hardware.
2. Make the electrical connection between the supply wires and the fixture wires inside the fixture column.
3. Lower the fixture column over the base plate. Secure the fixture column with the through bolt and set screws provided.
4. Lower the base plate cover over the base plate.



SternbergLighting

ESTABLISHED 1923 / EMPLOYEE OWNED

800-621-3376
555 Lawrence Ave., Roselle, IL 60172
info@sternberglighting.com
www.sternberglighting.com