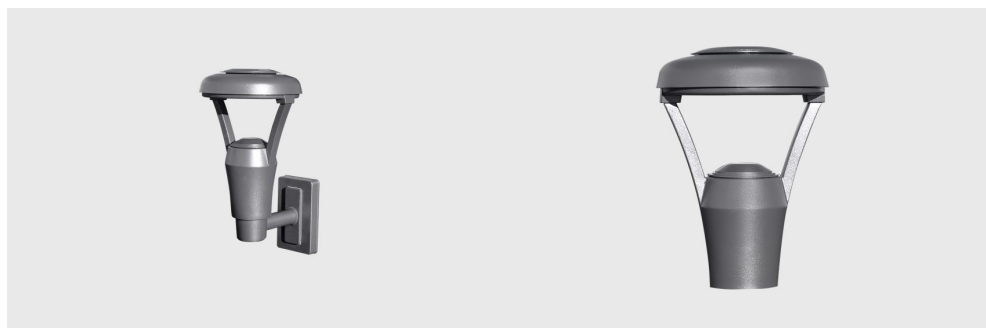


Project Name \_\_\_\_\_ Qty \_\_\_\_\_

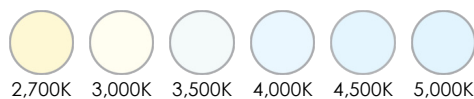
Type \_\_\_\_\_ Catalog / Part Number \_\_\_\_\_



**Distribution Type**



**CCT - Color Temperature (K)**



**7 Year Warranty**



**IP Rating**



**Certifications**



**Description**

The SL360 Solana™ is a sleek and seamless fixture that complements the rest of the Solana™ family with its scaled down aesthetics of the larger luminaires. Provides perfect symmetry when used together on a project site. Available as a post top, pier base, post mount, wall mount, and bollard.

**Features**

<b>Mounting Configuration</b>	<b>BL:</b> Bollard <b>PM:</b> Post Mount (With Arm) <b>WM:</b> Wall Mount (With Arm)	<b>PB:</b> Pier Base <b>PT:</b> Post Top
<b>Optional Control</b>	<b>PEC:</b> Electronic Button Photocontrol (120V-277V) <b>PEC4:</b> Electronic Button Photocontrol (480V)	
<b>Optional Fuse</b>	<b>FHD:</b> Double Fuse and Holder	
<b>Optional Fixed Dimming Resistor Board</b>	<b>FDRB:</b> Fixed Dimming Resistor Board	
<b>Physical</b>		
<b>Height (in feet)</b>	2', 3', 4', 5', 6', 7', 8'	
<b>Series</b>	<b>SL360:</b> Solana	
<b>Distribution Orientation</b>	<b>F:</b> Front	<b>R:</b> Rotated
<b>Lens</b>	<b>FG:</b> Flat Glass <b>FFG:</b> Frosted Flat Glass <b>CA:</b> Clear Acrylic <b>SV1:</b> Flat Soft Vue Light Diffused Acrylic <b>SV2:</b> Flat Soft Vue Moderate Diffused Acrylic	
<b>Optional Pole Adapter</b>	<b>RP45:</b> For 4" or 5" diameter poles.	
<b>Finish</b>	<b>UGMT:</b> Urban Gun Metal Textured <b>UB:</b> Urban Bronze Matte <b>USL:</b> Urban Silver Matte <b>UWH:</b> Urban White Matte	<b>UGM:</b> Urban Gun Metal Matte <b>UBT:</b> Urban Bronze Textured <b>USLT:</b> Urban Silver Textured <b>UWHT:</b> Urban White Textured <b>BKT:</b> Black Textured

**Light Source**

<b>LED</b>	<b>26L:</b> 26 LEDs	
<b>CCT - Color Temperature (K)</b>	<b>27:</b> 2,700K	<b>30:</b> 3,000K
	<b>35:</b> 3,500K	<b>40:</b> 4,000K
	<b>45:</b> 4,500K	<b>50:</b> 5,000K
<b>Distribution Type</b>	<b>T2:</b> Type 2	<b>T3:</b> Type 3
	<b>T3R:</b> Type 3R	<b>T4:</b> Type 4
	<b>T5:</b> Type 5	

**Electrical and control**

<b>Driver</b>	<b>MDH03:</b> 347V-480V, 300mA	<b>MDL03:</b> 120V-277V, 300mA
	<b>MDH05:</b> 347V-480V, 525mA	<b>MDL05:</b> 120V-277V, 525mA
	<b>MDH07:</b> 347V-480V, 700mA	<b>MDL07:</b> 120V-277V, 700mA
<b>Optional Ground Fault Breaker</b>	<b>GFI LPIUC:</b> 15 Amp Duplex GFCI receptacles with a low-profile in-use cover	
	<b>USB LPIUC:</b> 15 Amp Duplex USB/ Receptacle combo with a low-profile in-use cover (NON-GFCI)	

**Specifications**

<b>Comfortable Optics</b>	SoftVue™ lens provides optimal visual comfort
<b>UL Listing</b>	UL listed per UL1598 for Wet Locations and CSA 22.2 No. 250.0 for the US and Canada.
<b>Electronic Driver</b>	The LED driver shall be securely mounted inside the fixture, for optimized performance and longevity and shall be U.L. Recognized. It shall be supplied with a quick-disconnect electrical connector on the power supply, providing easy power connections and fixture installation. It shall have overload, overheat and short circuit protection, and have a DC voltage output, constant current design, 50/60HZ. It shall be supplied with line-ground, line-neutral and neutral-ground electrical surge protection in accordance with IEEE/ANSI C62.41.2 guidelines. It shall be a high efficiency driver with a THD less than 20% and a high power factor greater than .9. It shall be dimming capable using a 0-10v signal, consult factory for more information.
<b>NightSky® Friendly</b>	Night-Sky Compliant with a U0 BUG rating
<b>IP Rating</b>	IP65 rated
<b>Finish</b>	6 Stage Polyester Powdercoat paint system.
<b>Urban Finish</b>	Urban paint finishes are available in Sternberg Lighting's Urbanline products and create a modern, elegant aesthetic. Finishes are available in textured or matte.
<b>Warranty</b>	7-year limited warranty (See Website for Terms and Conditions.)
<b>LED's</b>	<p>The luminaire shall use high output, high brightness LEDs. The LEDs are mounted to maximize thermal transfer to the heat sink surface. The LEDs shall be 100% recyclable; not contain lead, mercury or any other hazardous substances and shall be RoHS compliant. Lumen maintenance shall be determined in accordance with IESNA TM-21, based on LED manufacturer LM-80 test data of no less than 6,000 hours and in-situ testing of the luminaire by an NVLAP accredited Energy Efficient Lighting Products lab. The high-performance white LEDs will have a predicted lumen depreciation of approximately 100,000 hours with greater than 70% of initial output at 25°C. The high-brightness, high-output white LEDs shall be 4500K nominal (2700K, 3000K, 3500K, 4000K or 5000K optional) correlated color temperature (CCT) with a 70 (minimum) color rendering index (CRI). Consult factory for custom CCT or CRI. The luminaire shall have a minimum _____ (see table) delivered initial lumens when operated at steady state with an average ambient temperature of 25°C (77°F).</p> <p><b>CCT Lumen Derate Values from 4,500K</b></p> <p>2,700K (70+ CRI)=.78          3,000K (70+ CRI)=.83          3,500K (70+ CRI)=.89          4,000K (70+ CRI)=.95          5,000K (70+ CRI)=1.00</p>

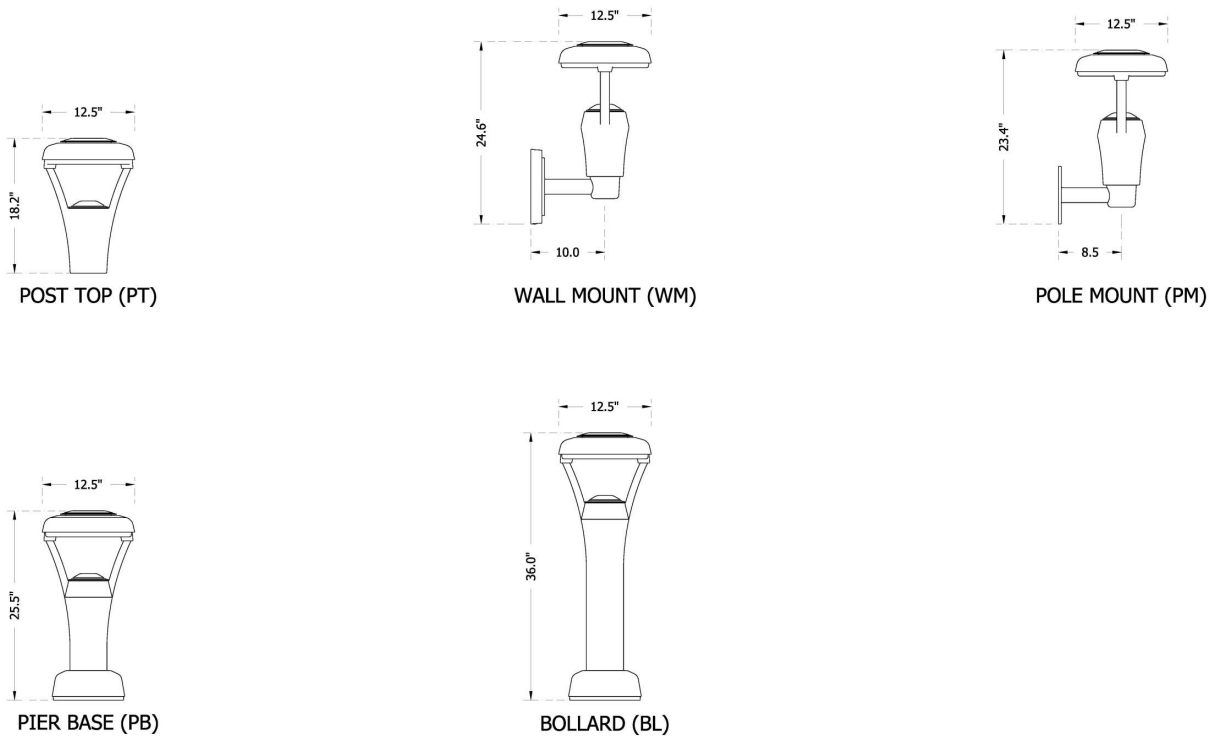
<b>Optics</b>	The luminaire shall be provided with individual, refractor type optics applied to each LED. The luminaire shall provide Type ____ (2, 3, 3R, 4 or 5) light distribution per the IESNA classifications. Testing shall be done in accordance with IESNA LM-79.
<b>FDRB</b>	10-step field adjustable dimming board. Includes step dimming options from 25%-100%. The unit is conformal coated and UL recognized for use in damp locations.
<b>Photocontrols</b>	<b>Button Photocell:</b> The photocontrol shall be mounted on the fixture and pre-wired to driver. The electronic button type photocontrol is instant on with a 5-10 second turn off, and shall turn on at 1.5 footcandles with a turn-off at 2-3 footcandles. See pole spec sheet for pole mounted version.

**Lumen Chart(s)**

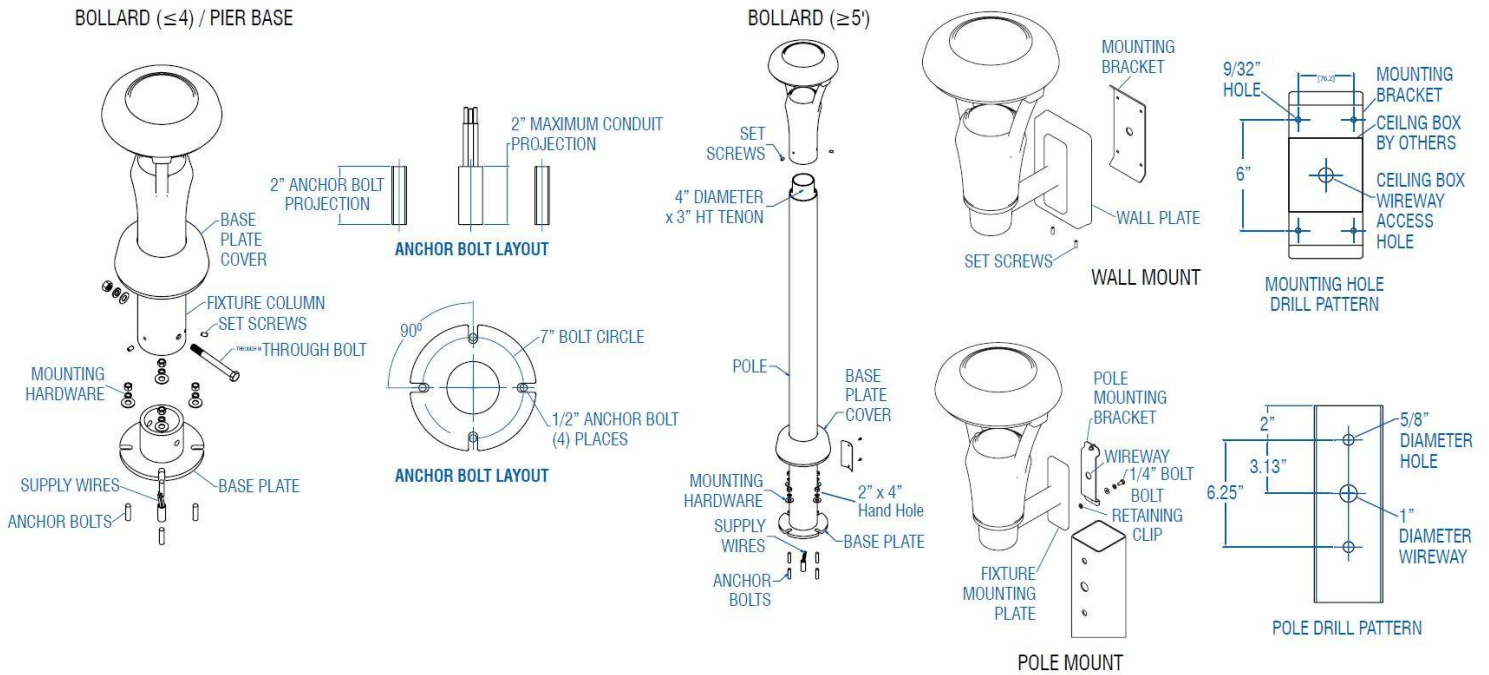
Tested with CA lens

Model #	T2 DELIVERED LUMENS	BUG	EFFICACY (LPW)	T3 DELIVERED LUMENS	BUG	EFFICACY (LPW)	T3R DELIVERED LUMENS	BUG	EFFICACY (LPW)	T4 DELIVERED LUMENS	BUG	EFFICACY (LPW)	T5 DELIVERED LUMENS	BUG	EFFICACY (LPW)	WATTAGE
26L45T -MDL07	5000	B2U0G2	80.6	4880	B2U0G2	78.7	5035	B2U0G2	81.2	5250	B1U0G2	84.7	5325	B3U0G3	85.9	62
26L35T -MDL07	4695	B2U0G2	75.7	4585	B2U0G2	74.0	4730	B2U0G2	76.3	4930	B1U0G2	79.5	5000	B3U0G3	80.6	62
26L27T -MDL07	4120	B2U0G2	66.5	4025	B2U0G2	64.9	4150	B2U0G2	66.9	4330	B1U0G2	69.8	4390	B3U0G3	70.8	62
26L45T -MDL05	4005	B2U0G2	87.1	3900	B2U0G2	84.8	4025	B1U0G1	87.5	4185	B1U0G1	91.0	4250	B2U0G2	92.4	46
26L35T -MDL05	3760	B2U0G2	81.7	3665	B2U0G2	79.7	3780	B1U0G1	82.2	3930	B1U0G1	85.4	3990	B2U0G2	86.7	46
26L27T -MDL05	3300	B2U0G2	71.7	3215	B2U0G2	69.9	3320	B1U0G1	72.2	3450	B1U0G1	75.0	3505	B2U0G2	76.2	46
26L45T -MDL03	2845	B1U0G1	94.8	2765	B1U0G1	92.2	2855	B1U0G1	95.2	2965	B1U0G1	98.8	3015	B2U0G2	100.5	30
26L35T -MDL03	2670	B1U0G1	89.0	2595	B1U0G1	86.5	2680	B1U0G1	89.3	2785	B1U0G1	92.8	2830	B2U0G2	94.3	30
26L27T -MDL03	2345	B1U0G1	78.2	2280	B1U0G1	76.0	2355	B1U0G1	78.5	2445	B1U0G1	81.5	2485	B2U0G2	82.8	30

**Dimensions**



Mounting Details



Other Data

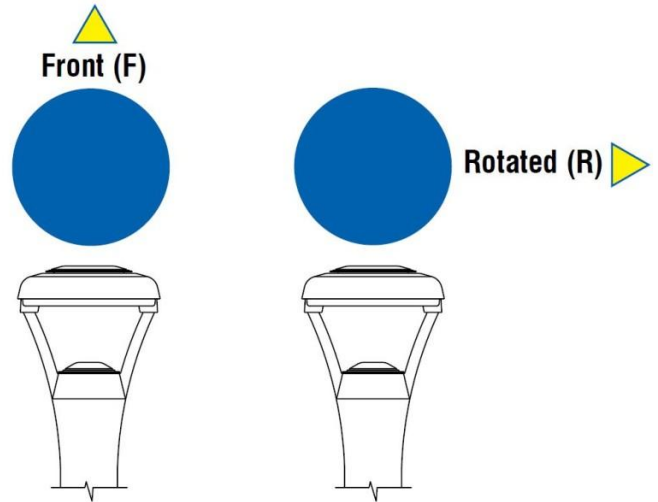
Fixture	Bollard (BL)*	Pier Base (PB)	Post Mount (PM)
EPA (FT <sup>2</sup> )	1.50	1.20	0.70
Weight (LBS)	29	26	21

Fixture	Post Top (PT)	Wall Mount (WM)	
EPA (FT <sup>2</sup> )	0.70	0.80	
Weight (LBS)	19	23	

\*BL - 3' Tall Version

EPA/Weight Chart



Distribution Orientation

Options

---



Double Fuse Holder & (2) 3A Fuses (**FHD**)



Button Photocell (**PEC or PEC4**)



Low-Profile In-Use Cover  
(**GFI LPIUC/USB LPIUC**)



Round Pole Adapter (**RP45**)

**How to order**

Mounting Configuration	Height (in feet) <sup>(3)</sup>	Series	LED	CCT - Color Temperature (K)	Distribution Type	Driver	Lens
<b>BL</b> Bollard <sup>(1)</sup>	<b>02</b> 2' <sup>(4)</sup>	<b>SL360</b> Solana	<b>26L</b> 26 LEDs	<b>27</b> 2,700K	<b>T2</b> Type 2	<b>MDH03</b> 347V-480V, 300mA	<b>FG</b> Flat Glass
<b>PB</b> Pier Base	<b>03</b> 3'			<b>30</b> 3,000K	<b>T3</b> Type 3	<b>MDL03</b> 120V-277V, 300mA	<b>FFG</b> Frosted Flat Glass
<b>PM</b> Post Mount (With Arm)	<b>04</b> 4'			<b>35</b> 3,500K	<b>T3R</b> Type 3R	<b>MDH05</b> 347V-480V, 525mA	<b>CA</b> Clear Acrylic
<b>PT</b> Post Top <sup>(2)</sup>	<b>05</b> 5'			<b>40</b> 4,000K	<b>T4</b> Type 4	<b>MDL05</b> 120V-277V, 525mA	<b>SV1</b> Flat Soft Vue Light Diffused Acrylic
<b>WM</b> Wall Mount (With Arm)	<b>06</b> 6'			<b>45</b> 4,500K	<b>T5</b> Type 5	<b>MDH07</b> 347V-480V, 700mA	<b>SV2</b> Flat Soft Vue Moderate Diffused Acrylic
	<b>07</b> 7'			<b>50</b> 5,000K		<b>MDL07</b> 120V-277V, 700mA	
	<b>08</b> 8'						

**Notes:**

- 1. BL height range starts at 3'.
- 2. PT = Fixture Only

- 3. PB = 2' BL = 3', 4', 5', 6', 7', 8', not needed for PT, WM, or PM.
- 4. Only available with PB.

**How to order**

Optional Control	Optional Ground Fault Breaker <sup>(5)</sup>	Optional Fuse <sup>(6)</sup>	Optional Pole Adapter <sup>(7)</sup>	Optional Fixed Dimming Resistor Board	Finish
<p><b>PEC</b> Electronic Button Photocontrol (120V-277V)</p> <p><b>PEC4</b> Electronic Button Photocontrol (480V)</p>	<p><b>GFI LPIUC</b> 15 Amp Duplex GFCI receptacles with a low-profile in-use cover</p> <p><b>USB LPIUC</b> 15 Amp Duplex USB/ Receptacle combo with a low-profile in-use cover (NON-GFCI)</p>	<p><b>FHD</b> Double Fuse and Holder</p>	<p><b>RP45</b> For 4" or 5" diameter poles.</p>	<p><b>FDRB</b> Fixed Dimming Resistor Board</p>	<p><b>UGMT</b> Urban Gun Metal Textured</p> <p><b>UGM</b> Urban Gun Metal Matte</p> <p><b>UBT</b> Urban Bronze Textured</p> <p><b>UB</b> Urban Bronze Matte</p> <p><b>USLT</b> Urban Silver Textured</p> <p><b>USL</b> Urban Silver Matte</p> <p><b>UWHT</b> Urban White Textured</p> <p><b>UWH</b> Urban White Matte</p> <p><b>BKT</b> Black Textured</p>

**Notes:**

5. Receptacle not available with PT, PB, PM, or WM.  
6. Ships loose for installation in base.

7. For PM mounting only.