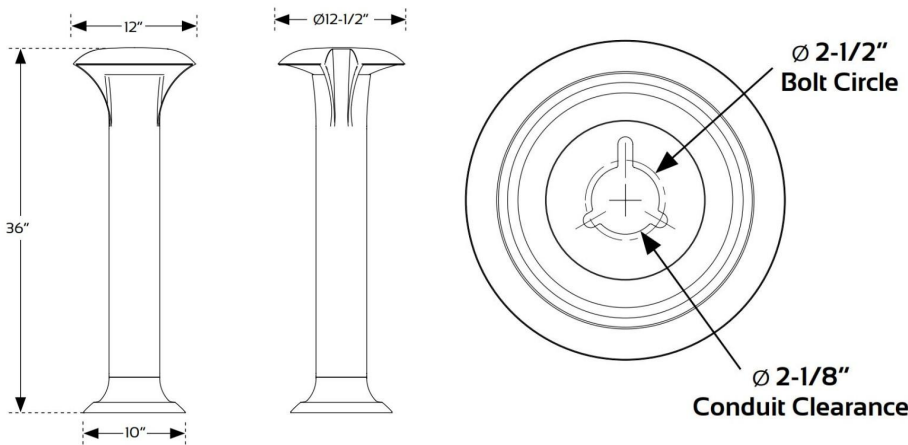


Project Name _____ Qty _____

Type _____ Catalog / Part Number _____



CCT - Color Temperature (K)



7 Year Warranty



IP Rating



Certifications



Description

Available in heights of 36", 42", or 48". The LU300 bollard produces smooth, symmetrical output, designed to complement the Lunaria™ post top and side mount luminaires. The design is perfect for pathways, stairways, area lighting, and paths of egress from buildings. Its heavy wall cast aluminum construction is designed for high traffic urban areas and campuses. The sleek lines of its widening top are complemented by its smoothly flared bottom, and include options such as electronic PECs, Duplex Receptacles and USB charging ports.

Physical

Model	LU300	
Overall Height (In Inches)	36", 42", 48"	
Lens	SV2: Flat Soft Vue Moderate Diffused Acrylic	
Optional Receptacle	GFI LPIUC: 15 Amp Duplex GFCI receptacles with a low-profile in-use cover USB LPIUC: 15 Amp Duplex USB/Receptacle combo with a low-profile in-use cover (NON-GFCI)	
Finish	BKT: Black Textured PGT: Park Green Textured DBT: Dark Bronze Textured SI: Swedish Iron UGMT: Urban Gun Metal Textured UB: Urban Bronze Matte USL: Urban Silver Matte UWH: Urban White Matte OI: Old Iron WBR: Weathered Brown WBK: Weathered Black	WHT: White Textured ABZT: Architectural Medium Bronze Textured VG: Verde Green OWGT: Old World Gray Textured UGM: Urban Gun Metal Matte UBT: Urban Bronze Textured USLT: Urban Silver Textured UWHT: Urban White Textured CM: Custom Match RT: Rust CD: Cedar TT: Two Tone

Light Source

LED	8L: 8 LEDs	
CCT - Color Temperature (K)	27: 2,700K	30: 3,000K
	35: 3,500K	40: 4,000K
	50: 5,000K	
Distribution Type	TS: Type Symmetric	

Electrical and control

Driver	MDL011: 120V-277V, 110mA	MDH011: 347V-480V, 110mA
	MDL025: 120V-277V, 250mA	MDH025: 347V-480V, 250mA
	MDL050: 120V-277V, 500mA	MDH050: 347V-480V, 500mA
Optional Photocell	PCD: Electronic Button Photocontrol, mounted on an access door (120V-277V)	
	PCD4: Electronic Button Photocontrol, mounted on an access door (480V)	

Features

Optional Fuse	FHD: Double Fuse and Holder
Optional Fixed Dimming Resistor Board	FDRB: Fixed Dimming Resistor Board

Specifications

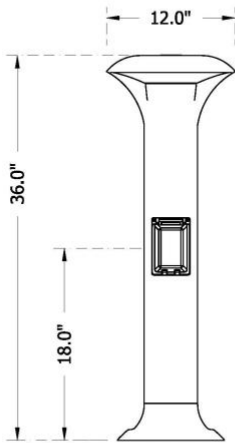
Installation	Three 3/8" diameter, hot-dipped galvanized "L" type anchor bolts shall be provided with the bollard for anchorage, they shall be mounted in a 2-1/2" bolt circle. The separate anchor base shall be made of heavy wall, cast aluminum. It shall be vertically fastened to bollard housing via a twist-lock mechanism and four (4) stainless steel allen head screws.
Comfortable Optics	SoftVue™ lens provides optimal visual comfort
Electronic Driver	The LED driver shall be securely mounted inside the fixture, for optimized performance and longevity and shall be U.L. Recognized. It shall be supplied with a quick-disconnect electrical connector on the power supply, providing easy power connections and fixture installation. It shall have overload, overheat and short circuit protection, and have a DC voltage output, constant current design, 50/60HZ. It shall be supplied with line-ground, line-neutral and neutral-ground electrical surge protection in accordance with IEEE/ANSI C62.41.2 guidelines. It shall be a high efficiency driver with a THD less than 20% and a high power factor greater than .9. It shall be dimming capable using a 0-10v signal, consult factory for more information.
Urban Finish	Urban paint finishes are available in Sternberg Lighting's Urbanline products and create a modern, elegant aesthetic. Finishes are available in textured or matte
IP Rating	IP65 rated
Warranty	7-year limited warranty (See Website for Terms and Conditions.)
FDRB	10-step field adjustable dimming board. Includes step dimming options from 25%-100%. The unit is conformal coated and UL recognized for use in damp locations.
UL Listing	UL listed per UL1598 for Wet Locations and CSA 22.2 No. 250.0 for the US and Canada.
Finish	6 Stage Polyester Powdercoat paint system.
LEDs	<p>The luminaire shall use high output, high brightness LEDs. The LEDs are mounted to maximize thermal transfer to the heat sink surface. The LEDs shall be 100% recyclable; not contain lead, mercury or any other hazardous substances and shall be RoHS compliant. Lumen maintenance shall be determined in accordance with IESNA TM-21, based on LED manufacturer LM-80 test data of no less than 6,000 hours and in-situ testing of the luminaire by an NVLAP accredited Energy Efficient Lighting Products lab. The high-performance white LEDs will have a predicted lumen depreciation of approximately 100,000 hours with greater than 70% of initial output at 25°C. The high-brightness, high-output white LEDs shall be 4000K nominal (2700K, 3000K, 3500K or 5000K optional) correlated color temperature (CCT) with a 70 (minimum) color rendering index (CRI). Consult factory for custom CCT or CRI. The luminaire shall have a minimum _____ (see table) delivered initial lumens when operated at steady state with an average ambient temperature of 25°C (77°F).</p> <p>CCT Lumen Derate Values from 4,000K</p> <p>2,700K (70+ CRI)=.92 3,000K (70+ CRI)=.95 3,500K (70+ CRI)=.97 5,000K (70+ CRI)=1.00</p>
Photocontrols	The photocontrol shall be mounted on a plate, installed on the pole shaft and pre-wired to driver. The electronic button type photocontrol is instant on with a 5-10 second turn off, and shall turn on at 1.5 footcandles with a turn-off at 2-3 footcandles.

Lumen Chart(s)

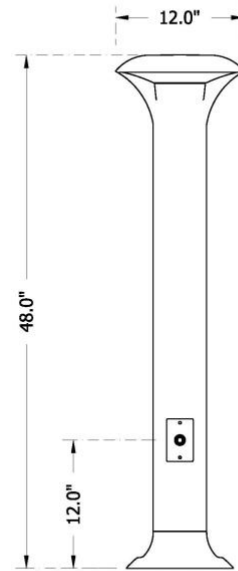
Tested with SV2 lens

Model #	DELIVERED LUMENS	BUG	EFFICACY (LPW)	WATTAGE
8L40T_-MDL050	1970	B1U2G1	67.9	29
8L30T_-MDL050	1880	B1U2G1	64.8	29
8L27T_-MDL050	1700	B1U2G1	58.6	29
8L40T_-MDL025	1115	B1U2G1	74.3	15
8L30T_-MDL025	1065	B1U2G1	71.0	15
8L27T_-MDL025	960	B1U2G1	64.0	15
8L40T_-MDL011	485	B0U1G1	80.8	6
8L30T_-MDL011	460	B0U1G1	76.7	6
8L27T_-MDL011	420	B0U1G1	70.0	6

Options



Low-Profile In-Use Cover (GFI LPIUC/USB LPIUC)



Button Photocell On Door (PCD/PCD4)

How to order

Model	Overall Height (In Inches)	LED	CCT - Color Temperature (K)	Distribution Type	Driver	Lens
LU300 LU300	36 36" 42 42" 48 48"	8L 8 LEDs	27 2,700K 30 3,000K 35 3,500K 40 4,000K 50 5,000K	TS Type Symmetric	MDL011 120V-277V, 110mA MDH011 347V-480V, 110mA MDL025 120V-277V, 250mA MDH025 347V-480V, 250mA MDL050 120V-277V, 500mA MDH050 347V-480V, 500mA	SV2 Flat Soft Vue Moderate Diffused Acrylic

How to order

Optional Fuse	Optional Photocell	Optional Receptacle	Optional Fixed Dimming Resistor Board	Finish ⁽²⁾
<p>FHD Double Fuse and Holder ⁽¹⁾</p>	<p>PCD Electronic Button Photocontrol, mounted on an access door (120V-277V)</p> <p>PCD4 Electronic Button Photocontrol, mounted on an access door (480V)</p>	<p>GFI LPIUC 15 Amp Duplex GFCI receptacles with a low-profile in-use cover</p> <p>USB LPIUC 15 Amp Duplex USB/Receptacle combo with a low-profile in-use cover (NON-GFCI)</p>	<p>FDRB Fixed Dimming Resistor Board</p>	<p>BKT Black Textured</p> <p>WHT White Textured</p> <p>PGT Park Green Textured</p> <p>ABZT Architectural Medium Bronze Textured</p> <p>DBT Dark Bronze Textured</p> <p>VG Verde Green</p> <p>SI Swedish Iron</p> <p>OWGT Old World Gray Textured</p> <p>UGMT Urban Gun Metal Textured</p> <p>UGM Urban Gun Metal Matte</p> <p>UBT Urban Bronze Textured</p> <p>UB Urban Bronze Matte</p> <p>USLT Urban Silver Textured</p> <p>USL Urban Silver Matte</p> <p>UWHT Urban White Textured</p> <p>UWH Urban White Matte</p> <p>CM Custom Match ⁽³⁾</p> <p>OI Old Iron ⁽³⁾</p> <p>RT Rust ⁽³⁾</p> <p>WBR Weathered Brown ⁽³⁾</p> <p>CD Cedar ⁽³⁾</p> <p>WBK Weathered Black ⁽³⁾</p> <p>TT Two Tone ⁽³⁾</p>

Notes:

- 1. Ships loose for installation in base.
- 2. Smooth finishes are available upon request.

3. Custom colors require upcharge.