



962TC-XRLED GLEN ELLYN SERIES

LED

EPA
3.65 (ft²)
WEIGHT
36 LBS

5 YEAR
WARRANTY

LUMEN
RANGE
1,550 to
5,210

LIFE SPAN
L70
MINIMUM
50,000
HOURS

UL
LISTED

CLICK
FOR FAQ'S

JOB NAME _____

FIXTURE TYPE _____

MEMO _____

BUILD A PART NUMBER

ORDERING EXAMPLE: **2A-962TC-XRLED-12L45T5-MDL14-CA-HSS-FHD/478PM/2112FP5/SCC/BKT**

Mounting Config.	Fixture	LED	CCT	Type	Driver	Lens	Option House Side Shield	Option Fuse	Option Internal Lens	Arm See Arm Spec Sheets	Pole See Pole Spec Sheets	Finish

Mounting Configuration

(Click here to view mounting configuration sheet)

- IW • 2A • 3A90 • 1AM
- PT • 2A90 • 3APT • 2AM
- 1A • 2APT • 4A • 450PB
- 1APT • 3A • 4APT

W = Wall Mount PT = Post Top A = Arm Mount AM = Arm Mid-Mount PB = Pier Base

Fixture

- 962TC • 962TCGT (Glow Top)¹

¹ Add 10 watts.

LED

- XRLED-9L • XRLED-12L

CCT - Color Temperature (K)

- 45(00) • 35(00) • 27(00)

Type

- T2 • T3 • T4 • T5

Driver

- MDL07² (120v-277v, 700mA)
- MDL14 (120v-277v, 1400mA)
- MDH07² (347v-480v, 700mA)
- MDH14 (347v-480v, 1400mA)

² For use with 9L system only.

Lens (Click here to link to lens options)

- SV1 (Flat Soft Vue Light Diffuse Acrylic)
- SV2 (Flat Soft Vue Moderate Diffuse Acrylic)
- CA (Clear Acrylic)
- CTA (Clear Textured Acrylic)
- CSA (Clear Seeded Acrylic)
- PA (Pristmatic Acrylic)
- WA (White Acrylic)

Options (Click here to view accessories sheet)

- HSS House Side Shield
- FHD³ Dual Fuse & Holder
- SVID Soft Vue Light Diffuse, Internal Dome Lens
- SV2D Soft Vue Moderate Diffuse, Internal Dome Lens

³ Ships loose for installation in base.

Arm (Click here to link to arm specification page)

See Arms & Wall Brackets specification sheets.

- 478 • 480 • 6236 • 579 • TA • TASCR

Pole (Click here to link to pole specification page)

See Pole specification sheets.

Finish (Click here to view paint finish sheet)

Standard Finishes⁴

- BKT Black Textured
- WHT White Textured
- PGT Park Green Textured
- ABZT Architectural Medium Bronze Textured
- DBT Dark Bronze Textured

⁴ Smooth finishes are available upon request

Custom Finishes⁵

- CM Custom Match
- OI Old Iron
- RT Rust
- WBR Weathered Brown
- CD Cedar
- WBK Weathered Black
- TT Two Tone

⁵ Custom colors require upcharge.

Sternberg Select Finishes

- VG Verde Green
- SI Swedish Iron
- OWGT Old World Gray Textured

Specifications

Fixture

The 962TC fixture shall be 14" wide and the overall height shall have 42". It shall be made of heavy wall cast aluminum, 356 alloy and lenses shall be made of vandal resistant acrylic. The fixture cage shall be cast in one piece and shall have a lift hinged door. The four paneled roof shall be closed with solid aluminum panels. The Luminaire shall be UL approved in US and Canada.

Fitter

The fitter or base shall be heavy wall cast aluminum, 356 alloy for high tensile strength. It shall have an inside diameter opening to accept a 3" diameter pole or tenon. When ordered with a Sternberg aluminum pole, the fitter shall be set screwed to the pole top or tenon.

LEDs

The luminaire shall use high output, high brightness LED's. They shall be mounted in arrays, on printed circuit boards designed to maximize heat transfer to the heat sink surface. The arrays shall be downward facing to minimize up-light. The LED's and printed circuit boards shall be environmentally friendly and 100% recyclable, they shall also be protected from moisture and corrosion by a conformal coating of 1 to 3 mils. They shall not contain lead, mercury or any other hazardous substances and shall be RoHS compliant. The LED life rating data shall be determined in accordance with IESNA LM-80. The High Performance white LED's will have a life expectancy of approximately 50,000 hours with not less than 70% of original brightness (lumen maintenance), rated at 25°C. The High Brightness, High Output LED's shall be 4500K (3500K or 2700K option) color temperature with a typical of 70 CRI. Consult factory for custom color CCT. The luminaire shall have a minimum _____ (see table) delivered initial lumen rating when operated at steady state with an average ambient temperature of 25°C (77°F).

Optics

The luminaire shall be provided with individual, refractor type optics applied to each LED. The luminaire shall provide Type ____ (2, 3, 4 or 5) light distribution per the IESNA classifications. Testing shall be done in accordance with IESNA LM-79.

See next page

Electronic Drivers

The LED driver shall be U.L. Recognized. It shall be securely mounted inside the fixture, for optimized performance and longevity. It shall be supplied with a quick-disconnect electrical connector on the power supply, providing easy power connections and fixture installation. It shall have overload as well as short circuit protection, and have a DC voltage output, constant current design, 50/60HZ. It shall be supplied with line-ground, line-neutral and neutral-ground electrical surge protection in accordance with IEEE/ANSI C62.41.2 guidelines. It shall be dimmable using a 0-10v signal.

For sources over 50w: The driver shall have a minimum efficiency of 90%. The driver shall be rated at full load with THD<20% and a power factor of greater than 0.90. The driver shall contain over-heat protection.

For sources under 50w: The driver shall have a minimum efficiency of 88%.

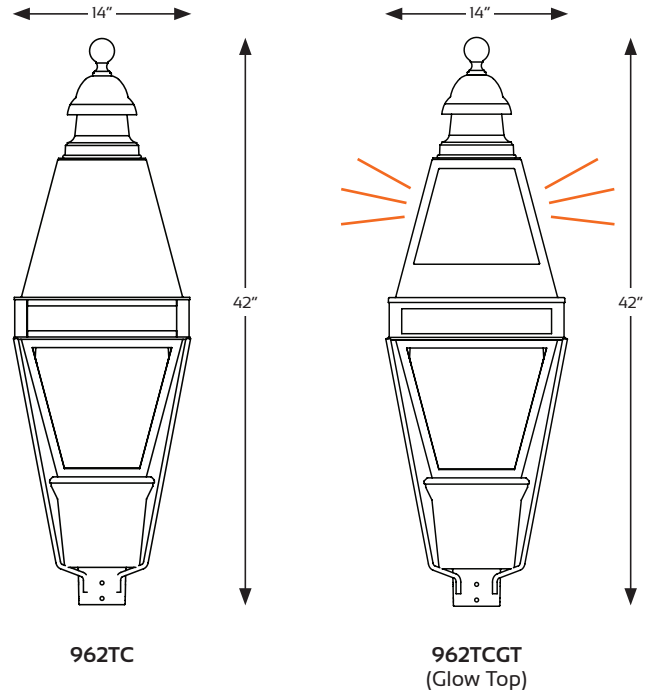
Warranty

Five-year warranty. See product and finish warranty guide for details.

Finish

Refer to website for details.

Fixtures



Performance (Based on CSA Lens)

LIGHT SOURCE	T2 DELIVERED LUMENS	EFFICACY (LPW)	T3 DELIVERED LUMENS	EFFICACY (LPW)	T4 DELIVERED LUMENS	EFFICACY (LPW)	T5 DELIVERED LUMENS	EFFICACY (LPW)	WATTAGE*
09L27T_-MDL07	1610	73.1	1600	72.6	1550	70.3	1670	75.9	22
09L35T_-MDL07	1895	86	1880	85.5	1820	82.8	1965	89.4	22
09L45T_-MDL07	2035	92.5	2025	92	1960	89	2115	96.1	22
09L27T_-MDL14	2860	59.6	2810	58.5	2745	57.1	2960	61.6	48
09L35T_-MDL14	3370	70.2	3310	68.9	3230	67.3	3485	72.6	48
09L45T_-MDL14	3625	75.5	3560	74.1	3470	72.3	3745	78	48
12L27T_-MDL14	4060	67.6	3960	66	3945	65.7	4120	68.6	60
12L35T_-MDL14	4780	79.6	4660	77.7	4640	77.4	4850	80.8	60
12L45T_-MDL14	5140	85.6	5010	83.5	4990	83.2	5210	86.9	60

*Glow top option adds 10 watts.