



1920 1930 ACORN POST TOP SERIES

HID

EPA
1920: 0.79 (ft²)
1930: 0.92 (ft²)
WEIGHT
1920: 9LBS
1930: 10LBS

5 YEAR WARRANTY

MAXIMUM WATTAGE
250W

UL LISTED

JOB NAME _____

FIXTURE TYPE _____

MEMO _____

BUILD A PART NUMBER

ORDERING EXAMPLE: 2A-1920-5Q-100HPS120-RE5-MED-A-PEC-FHS/50PM/4212FP4/BKT

Mounting Config.	Fixture	Fitter	Ballast	Volts	Socket	Optic	Lens	Option Photocontrol	Option GFI	Option Term. Block	Option Fuse	Option Lamps <small>See Lamp Spec Sheet</small>	Arm <small>See Arm Spec Sheets</small>	Pole <small>See Pole Spec Sheets</small>	Finish

Mounting Configuration

[\(Click here to view mounting configuration sheet\)](#)

- 1W • 2A • 3A90 • 1AM
- PT • 2A90 • 3APT • 2AM
- 1A • 2APT • 4A • 45OPB
- 1APT • 3A • 4APT

W = Wall Mount PT = Post Top APT = Post Top Arm Mid-Mount
A = Arm Mount AM = Arm Mid-Mount PB = Pier Base

Fixture

- 1920^{1,2} • 1930

¹ 150 watt maximum wattage.
² Medium base ED17 lamp only.

Fitter

- 5P³ • 99J³ • 99S³ • OLF3³
- 73 • 992³ • BD4 • OLF4³
- 74 • 993³ • BD5 • 588
- 990³ • 994³ • BD7 • C2097³

³ Add "T" after fitter designation for optional "Twist-lock" fitter.

Ballast^{4,5}

- 35HPS⁶ • 50MHP • 26CFL
- 50HPS • 70MHP • 32CFL
- 70HPS • 100MHP • 42CFL
- 100HPS • 150MHP • 57CFL
- 150HPS • 200MHP • 70CFL
- 250HPS⁷ • 250MHP • INCAND

⁴ Medium base sockets standard with ballasts up to 150 watts. 4-pin for PL.

⁵ Metal halide systems are pulse start.

⁶ 35HPS is 120 volt only.

⁷ 1930 only.

Volts

- 120 • 208 • 240 • 277 • 347 • 480

Socket

- MED • MOG • QL • 4P (4-PIN)

Optic

- NONE • RE3 • RE5 • HSS

Lens

- A (Acrylic) • P (Polycarbonate)
- WA (White Acrylic)⁸ • WP (White Polycarbonate)⁹

⁸ Only for 1930. ⁹ Only for 1920.

Options

- PEC Electronic Photocontrol 120-277 Volt
- R¹⁰ Receptacle Only for Twist-Lock Photocontrol
- R¹⁰ Twist-Lock Photocontrol & Receptacle (120v-277v)
- G¹⁰ 15A Duplex GFI for Utility Fitter
- T¹⁰ Terminal Block
- FHS¹¹ Single Fuse & Holder - 120, 277 Volt
- FHD¹¹ Dual Fuse & Holder - 208, 240, 480 Volt
- LAMPS See Lamp Spec Sheet

¹⁰ For 900 series utility fitter only.
¹¹ Ships loose for installation in base.

Arm [\(Click here to view arm website page\)](#)

See Arms & Wall Brackets specification sheets.

- 50 • 80 • 6236 • TASC
- 478 • 480 • 579 • BA
- 70 • 55 • TA

Pole [\(Click here to view pole website page\)](#)

See Pole specification sheets.

Finish [\(Click here to view paint finish sheet\)](#)

Standard Finishes¹²

- BKT Black Textured
- WHT White Textured
- PGT Park Green Textured
- ABZT Architectural Medium Bronze Textured
- DBT Dark Bronze Textured

¹² Smooth finishes are available upon request.

Custom Finishes¹³

- CM Custom Match
- OI Old Iron
- RT Rust
- WBR Weathered Brown
- CD Cedar
- WBK Weathered Black
- TT Two Tone

¹³ Custom colors require upcharge.

Sternberg Select Finishes

- VG Verde Green
- SI Swedish Iron
- OWGT Old World Gray Textured

Specifications

Fixture

The 1920 Acorn shall be 12" in diameter with a 9" diameter neck. The 1930 Acorn shall be 16" in diameter with a 10" diameter neck. They will be made of vandal resistant clear frosted, UV stabilized polycarbonate or dent resistant (DR) clear textured acrylic. The acorn shall be attached to an 8" spun aluminum neck with 4 installed rivet nuts and stainless steel screws. There shall be a 1/16" closed cell gasket between the spun aluminum neck and the fitter. The neck will have an 8" diameter for insertion into the cast fitter.

Fitter

The fitter shall be heavy wall cast aluminum, 356 alloy for high tensile strength. It shall have an 8" inside diameter opening to attach to the 8" neck of the acorn. When ordered with a Sternberg aluminum pole, the fitter shall be welded to the pole top or tenon for safety and to ensure the fixture will be plumb, secure and level over the life of the installation. The fitter shall have a one-piece ring bug gasket to resist insect penetration into lamp assembly.

900 Series Utility Fitter Option

The fitter shall be heavy wall cast aluminum, 360 die cast alloy for high tensile strength. It shall have a 9-1/4" inside diameter opening to attach to the 8" neck of the acorn globe. It shall have a hinged, tool-less entry door that provides open access to all of the components. The 900 series shall have an optional terminal block for ease of wiring, an optional Twist-Lock Photocontrol receptacle, an optional single GFCI outlet for auxiliary power needs. The top mounted ballast mounting plate shall be cast aluminum and provide tool-less removal from the housing using 2 finger latches. When ordered with a Sternberg aluminum pole, the fitter shall be set screwed to the pole top or tenon. The fitter shall have a one-piece ring bug gasket to resist insect penetration into lamp assembly.

See next page

1920 1930 ACORN POST TOP SERIES

HID

When supplied with GFI receptacle a hole will be provided for cord and plug installation with the access door closed. When cord and plug is not in use a filler plug will be provided and shall be tethered to the fitter for easy recovery and installation.

Twist-Lock Fitter (Optional)

The TL (Twist-Lock) fitter shall have an aluminum die-cast twist-lock mechanism. The tool-less 1/4 turn action allows for easy globe removal and replacement. A die-cast ring assembly is mechanically attached to the globe and is removable if the globe is broken or replaced.

Electrical

Fixture shall be UL listed in US and Canada. HID ballasts shall be high power factor with lamp starting down to -30 degrees C. Medium base and mogul base porcelain sockets are 4KV rated. The ballast/socket assembly shall be pre-wired when ballast is located in the fitter. Ballasts shall be DOE EISA compliant.

Optical Options

Refractors shall be borosilicate glass with an IES type 3 or 5 distribution, using a vertically mounted lamp. It shall be secured to the socket/stem with 3/8" plated steel threaded pipe nipple and rest on a cast aluminum holder with anti-shock gasket. The refractor will be secured to cast holder with a quarter-turn internal aluminum twist ring for ease of maintenance.

House Side Shield shall be an additional optic used to block 120° of light in any one direction.

Photocontrols

Button Style: On single post top fixtures the photocontrol shall be mounted in the fitter and pre-wired to ballast. On multiple head fixture assembly's photocontrol shall be mounted in the pole shaft on an access plate and are not pre-wired as ballast housing assemblies and fitters are packaged separately for ease of wiring to source. The electronic button type photocontrol is instant on with a 5-10 second turn off, and shall turn on at 1.5 footcandles with a turn-off at 2-3 footcandles. Photocontrol is 120-277 volt and warranted for 6 years.

Twist-Lock Style: The photocontrol shall be mounted in the utility fitter and pre-wired to ballast. The twist lock type photocontrol is instant on with a 3-6 second turn off, and shall turn on at 1.5 footcandles with a turn-off at 2-3 footcandles. Photocontrol is 120-277 volt and warranted for 6 years.

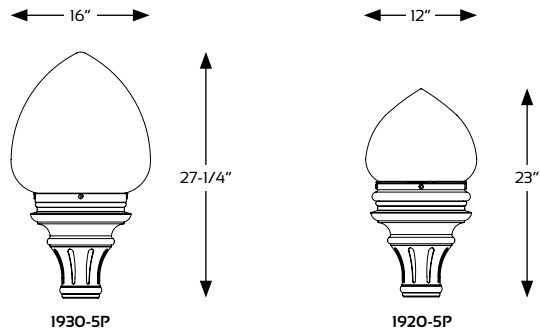
Warranty

Five-year limited warranty. See product and finish warranty guide for details.

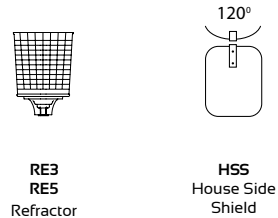
Finish

Refer to website for details.

Fixture Examples



Optical Systems



Fitters

10-1/8" W 10-3/8" H	10-1/8" W 10-1/8" H	10-1/8" W 10-1/4" H	10-1/8" W 11-3/4" H	9-3/4" W 13-1/4" H	14-1/2" W 14-1/4" H
5P or 5T* Fits 3" OD x 3" tall tenon/pole	BD4 Fits 4" OD x 5" tall tenon/pole	BD5 Fits 5" OD x 6" tall tenon/pole	BD7 Fits 7" OD x 1" tall tenon/pole	73 Fits 3" OD x 4" tall tenon/pole 74 Fits 4" OD x 4" tall tenon/pole	588 (Art Deco I) Fits 3" OD x 3" tall tenon/pole
10-1/2" W 15-3/4" H	10-1/2" W 13-1/8" H	10-1/2" W 13-1/8" H	10-1/2" W 15-3/4" H	10-1/2" W 11-3/8" H	10" W 3-1/4" H
990 or 990T* Fits 3" OD x 3" tall tenon/pole 994 or 994T* Fits 4" OD x 3" tall tenon/pole	991 or 991T* Fits 3" OD x 3" tall tenon/pole	992 or 992T* Fits 3" OD x 3" tall tenon/pole	993 or 993T* Fits 3" OD x 3" tall tenon/pole 995 or 995T* Fits 4" OD x 3" tall tenon/pole	OL3 or OL3T* Fits 3" OD x 3" tall tenon/pole OL4 or OL4T* Fits 4" OD x 3" tall tenon/pole	C2097 or C2097T* Fits 7" OD x 1" tall tenon/pole

*Twist Lock Acorn (Fitter TL)

