



6330LED NEVADA SERIES



EPA
0.90 (ft²)
WEIGHT
34 LBS

7 YEAR
WARRANTY

LUMEN
RANGE
3,220 to
6,980

LIFE SPAN
L70
MINIMUM
50,000
HOURS



JOB NAME _____

FIXTURE TYPE _____

MEMO _____

BUILD A PART NUMBER

ORDERING EXAMPLE: **2A-6330LED-1L40T5-MDLO5-A-FHD/80PM/4212FP4/FCC/BKT**

Mounting Config.	Fixture	LED	CCT	Type	Driver	Lens	Option Control	Option Fuse	Option Chimney	Option House Side Shield	Option Internal Diffusing Lens	Arm See Arm Spec Sheets	Pole See Pole Spec Sheets	Finish

Mounting Configuration

(Click here to view mounting configuration sheet)

- 1W • 2A • 3A90 • 1AM
- PT • 2A90 • 3APT • 2AM
- 1A • 2APT • 4A • 450PB
- 1APT • 3A • 4APT

W = Wall Mount PT = Post Top A = Arm Mount AM = Arm Mid-Mount PB = Pier Base

Fixture

- 6330LED

LED

- 1L

CCT - Color Temperature (K)

- 27(00) • 30(00) • 35(00) • 40(00) • 50(00)

Type

- T2 • T3 • T4 • T5

Driver

- MDLO9 (120V-277V, 900mA)
- MDH09 (347V-480V, 900mA)
- MDL07 (120V-277V, 700mA)
- MDH07 (347V-480V, 700mA)
- MDL05 (120V-277V, 500mA)
- MDH05 (347V-480V, 500mA)

Lens

- A (Acrylic Lens) • FA (Frosted Acrylic Lens)

Options (Click here to view accessories sheet)

- PEC4¹ Electronic Button Photocontrol (347V-480V)
- FHD² Double Fuse and Holder
- FHC Frosted Hurricane Chimney
- HSS 120° House Side Shield
- SVID Light diffused internal dome lens
- SV2D Heavy diffused internal dome lens

¹ Mount on pole.

² Ships loose for installation in base.

Arm (Click here to link to arm specification page)

See Arms & Wall Brackets specification sheets.

- 50 • 78 • 80 • 55 • 6236

Pole (Click here to link to pole specification page)

See Pole specification sheets.

Finish (Click here to view paint finish sheet)

Standard Finishes³

- BKT Black Textured
- WHT White Textured
- PGT Park Green Textured
- ABZT Architectural Medium Bronze Textured
- DBT Dark Bronze Textured

³ Smooth finishes are available upon request.

Custom Finishes⁴

- CM Custom Match
- OI Old Iron
- RT Rust
- WBR Weathered Brown
- CD Cedar
- WBK Weathered Black
- TT Two Tone

⁴ Custom colors require upcharge.

Sternberg Select Finishes

- VG Verde Green
- SI Swedish Iron
- OWGT Old World Gray Textured

Specifications

Fixture

The 6330 fixture shall be 16" in diameter x 28.5" tall. The clear lens shall be made of acrylic. The cast aluminum lens holder shall be made of 356 alloy for high tensile strength. The roof shall be a one piece aluminum spinning with a white reflective underside. The Luminaire shall be UL listed in US and Canada.

LEDs

The luminaire shall use high output, high brightness LED's, consisting of a two piece assembly complete with Chip on Board (COB) LED component and COB holder frame. The LED's and printed circuit boards shall be 100% recyclable; they shall also be protected from moisture and corrosion by a conformal coating of 1 to 3 mils. They shall not contain lead, mercury or any other hazardous substances and

shall be RoHS compliant. The LED life rating data shall be determined in accordance with IESNA LM-80. The High Performance white LED's will have a life expectancy of approximately 100,000 hours with not less than 70% of original brightness (lumen maintenance), rated at 25°C. The High Brightness, High Output LED's shall be 4000K (2700K, 3000K, 3500K or 5000K option) color temperature with a minimum of 70 CRI. Consult factory for custom color CCT. The luminaire shall have a minimum _____ (see table) delivered initial lumen rating when operated at steady state with an average ambient temperature of 25°C (77°F).

Optics

The luminaire shall be provided with individual, refractor type optics applied to each LED. The luminaire shall provide Type ____ (2, 3, 4 or 5) light distribution per the IESNA classifications. Testing shall be done in accordance with IESNA LM-79.

Electronic Drivers

The LED driver shall be U.L. Recognized. It shall be securely remote mounted, for optimized performance and longevity. It shall be supplied with a quick-disconnect electrical connector on the power supply, providing easy power connections and fixture installation. It shall have overload, overheat and short circuit protection, and have a DC voltage output, constant current design, 50/60HZ. It shall be supplied with line-ground, line-neutral and neutral-ground electrical surge protection in accordance with IEEE/ANSI C62.41.2 guidelines. It shall be a high efficiency driver with a THD less than 20% and a high power factor greater than .9. It shall be dimming capable using a 0-10v signal, consult factory for more information.

Warranty

Seven-year limited warranty. See product and finish warranty guide for details.

Finish

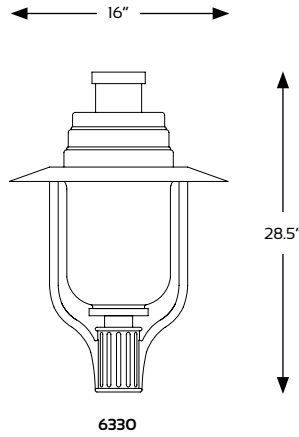
Refer to website for details.

See next page

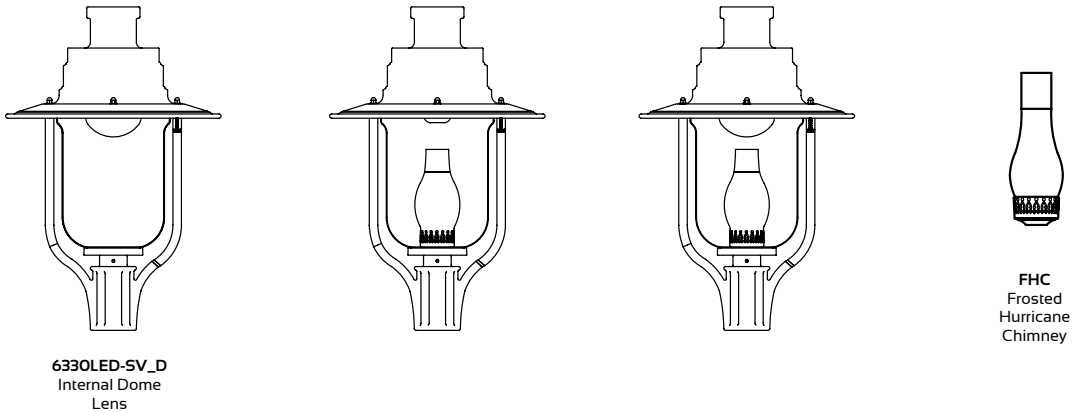
6330LED NEVADA SERIES

LED

Fixtures



Options



Performance

LIGHT SOURCE	T2 DELIVERED LUMENS	EFFICACY (LPW)	T3 DELIVERED LUMENS	EFFICACY (LPW)	T4 DELIVERED LUMENS	EFFICACY (LPW)	T5 DELIVERED LUMENS	EFFICACY (LPW)	WATTAGE
1L40T_-MDL09	6265	120.5	6470	124.4	6775	130.3	6980	134.2	52
1L30T_-MDL09	6105	117.4	6305	121.3	6600	126.9	6800	130.8	52
1L27T_-MDL09	5545	106.6	5730	110.2	6000	115.4	6180	118.8	52
1L40T_-MDL07	4960	121.0	5125	125.0	5330	130.0	5485	133.8	41
1L30T_-MDL07	4835	117.9	4995	121.8	5195	126.7	5345	130.4	41
1L27T_-MDL07	4390	107.1	4535	110.6	4720	115.1	4855	118.4	41
1L40T_-MDL05	3635	121.2	3755	125.2	3900	130.0	4000	133.3	30
1L30T_-MDL05	3540	118.0	3660	122.0	3800	126.7	3900	130.0	30
1L27T_-MDL05	3220	107.3	3325	110.8	3455	115.2	3540	118.0	30