



# 1750LED CHATEAU SERIES

LED

EPA  
1 (ft<sup>2</sup>)  
WEIGHT  
38 LBS

7 YEAR  
WARRANTY

LUMEN  
RANGE  
4,000 to  
7,930

LIFE SPAN  
L70  
MINIMUM  
100,000  
HOURS

UL  
LISTED

CLICK  
FOR FAQ'S

IP  
RATING

JOB NAME \_\_\_\_\_

FIXTURE TYPE \_\_\_\_\_

MEMO \_\_\_\_\_

## BUILD A PART NUMBER

ORDERING EXAMPLE: **PT-1750LED-DR-R3-1L40T5-MDLO6-CA-R-PE/3212T4/BKT**

Mounting Config.	Fixture	Rings	Fitter	LED	CCT	Type	Driver	Lens	Option Receptacle Control	Option Photocontrol	Option Fuse	Option Hangstraight	Option House Side Shield	Option Internal Diffusing Lens	Arm See Arm Spec Sheets	Pole See Pole Spec Sheets	Finish

### Mounting Configuration

(Click here to view mounting configuration sheet)

- IW • 2A • 3A90 • 1AM • CAT<sup>1</sup>
- PT • 2A90 • 3APT • 2AM
- 1A • 2APT • 4A • 450PB
- 1APT • 3A • 4APT • SH44<sup>1,2</sup>

W = Wall Mount PT = Post Top A = Arm Mount AM = Arm Mid-Mount PB = Pier Base SH = Stem Hung CAT = Catenary

<sup>1</sup> For use with 1750LEDH only.

<sup>2</sup> Include Stem length in inches after designation (IE: SH44-36")

### Fixture

- 1750LED • 1750LEDH

### Rings

- DR (Decorative Rings) • RL (Ring-less)

### Fitter<sup>3</sup>

- R3 • R4 • R5

<sup>3</sup> Specify fitter for 1750LED only.

### LED

- 1L

### CCT - Color Temperature (K)

- 27(00) • 30(00) • 35(00) • 40(00) • 50(00)

### Type

- T2 • T3 • T4 • T5

### Driver

- MDLO6 (120V-277V, 600mA)
- MDLO8 (120V-277V, 800mA)
- MDL10 (120V-277V, 1050mA)
- MDH06 (347V-480V, 600mA)
- MDH08 (347V-480V, 800mA)
- MDH10 (347V-480V, 1050mA)

### Lens

- CA (Clear Acrylic Lens)
- WA (White Acrylic Lens)

### Options (Click here to view accessories sheet)

- R<sup>4</sup> 3-Pin control receptacle only
- R<sup>5</sup> 5-Pin control receptacle only
- R<sup>7</sup> 7-Pin control receptacle only
- PE<sup>5</sup> Twist-Lock Photocontrol (120V-277V)

- PE<sup>5</sup> Twist-Lock Photocontrol (347V)
- PE<sup>4</sup> Twist-Lock Photocontrol (480V)
- SC<sup>5</sup> Shorting Cap
- PEC Electronic Button Photocontrol (120V-277V)
- PEC4 Electronic Button Photocontrol (480V)
- FHD<sup>6</sup> Double Fuse and Holder
- HSHS<sup>7</sup> Standard Horizontal Hangstraight, Spike Finial
- HSHN<sup>7</sup> Standard Horizontal Hangstraight, No Finial
- HSHB<sup>7</sup> Standard Horizontal Hangstraight, Ball Finial
- EZ<sup>7</sup> Vertical Hangstraight, Large, "EZ" Mount
- HSV<sup>7</sup> Vertical Hangstraight, Standard
- HSS 120° House Side Shield
- SV2C<sup>8</sup> Moderate diffused internal cup lens

<sup>4</sup> Cannot be used with SH44, CAT, EZ or HSV

<sup>5</sup> Requires control receptacle.

<sup>6</sup> Ships loose for installation in base.

<sup>7</sup> For use with 1750LEDH fixture only.

<sup>8</sup> Required option when using both the DR and CA options.

### Arm (Click here to link to arm specification page)

See Arms & Wall Brackets specification sheets.

- OMS • HMS • OLS
- VCS • VFS • VLS

### Pole (Click here to link to pole specification page)

See Pole specification sheets.

### Finish

Standard Urban Finishes (Click here to view paint finish sheet)

- UGMT Gun Metal Textured
- UGM Gun Metal Matte
- UBT Urban Bronze Textured
- UB Urban Bronze Matte
- USLT Urban Silver Textured
- USL Urban Silver Matte
- UWHT Urban White Textured
- UWH Urban White Matte
- BKT Black Textured

### Custom Urban Finishes<sup>9</sup>

- CM Custom Match

<sup>9</sup> Smooth finishes are available upon request.

## Specifications

### Fixture

The Chateau series luminaire is a medium scale, dramatic design fixture featuring a tall, cylindrical body made up of a cast aluminum top, round lens and spun aluminum shade. The Luminaire shall be UL listed in US and Canada.

### Fitter - Standard

The fixture shall be provided with a heavy wall cast aluminum fitter that can accept a 3" OD (R3), 4" OD (R4) or 5" OD (R5) pole or 3" tall tenon. The end of the fitter shall have four (4) stainless steel allen head screws which secures the connection between the fitter and tenon.

### LEDs

The luminaire shall use high output, high brightness LED's, consisting of a two piece assembly complete with Chip on Board (COB) LED component and COB holder frame. The LED's and printed circuit boards shall be 100% recyclable; they shall also be protected from moisture and corrosion by a conformal coating of 1 to 3 mils. They shall not contain lead, mercury or any other hazardous substances and shall be RoHS compliant. The LED life rating data shall be determined in accordance with IESNA LM-80. The High Performance white LED's will have a life expectancy of approximately 100,000 hours with not less than 70% of original brightness (lumen maintenance), rated at 25°C. The High Brightness, High Output LED's shall be 4000K (2700K, 3000K, 3500K or 5000K option) color temperature with a minimum of 70 CRI. Consult factory for custom color CCT. The luminaire shall have a minimum \_\_\_\_\_ (see table) delivered initial lumen rating when operated at steady state with an average ambient temperature of 25°C (77°F).

### Optics

The luminaire shall be provided with individual, molded silicone refractor type optics applied to each COB (Chip On Board) LED assembly.

See next page

# 1750LED CHATEAU SERIES

LED

The optic shall be at least 92% efficient while providing superior thermal, UV and impact resistance for the COB assembly. The optic ensures precise light control while providing cutoff control that limits or contains up-light. The luminaire shall provide Type \_\_\_\_ (2, 3, 4 or 5) light distribution per the IESNA classifications. Testing shall be done in accordance with IESNA LM-79..

## Electronic Drivers

The LED driver shall be U.L. Recognized. It shall be securely mounted inside the fixture, for optimized performance and longevity. It shall be supplied with a quick-disconnect electrical connector on the power supply, providing easy power connections and fixture installation. It shall have overload as well as short circuit protection, and have a DC voltage output, constant

current design, 50/60HZ. It shall be supplied with line-ground, line-neutral and neutral-ground electrical surge protection in accordance with IEEE/ANSI C62.41.2 guidelines. It shall be dimmable using a 0-10V signal.

**For sources over 50w:** The driver shall have a minimum efficiency of 90%. The driver shall be rated at full load with THD<20% and a power factor of greater than 0.90. The driver shall contain over-heat protection.

**For sources under 50w:** The driver shall have a minimum efficiency of 88%.

## Photocontrols

**Twist-Lock Style:** The photocontrol shall be mounted externally on the fixture and pre-wired to driver. The twist lock type photocontrol is instant on with a 3-6 second turn off, and shall turn on at 1.5 footcandles with a turn-

off at 2-3 footcandles. Photocontrol is 120-277 volt and warranted for 6 years.

**Button Style:** The photocontrol shall be mounted in the "catenary box" or in the pole shaft on an access plate. The electronic button type photocontrol is instant on with a 5-10 second turn off, and shall turn on at 1.5 footcandles with a turn-off at 2-3 footcandles. Photocontrol is 120-277 volt and warranted for 6 years.

## Warranty

Seven-year limited warranty. See product and finish warranty guide for details.

## Finish

Refer to website for details.

## Performance 1750LED (Based on CA Lens)

MODEL #	T2 DELIVERED LUMENS	EFFICACY (LPW)	T3 DELIVERED LUMENS	EFFICACY (LPW)	T4 DELIVERED LUMENS	EFFICACY (LPW)	T5 DELIVERED LUMENS	EFFICACY (LPW)	WATTAGE
1L40T_-MDL10	5620	95.3	5965	101.1	6270	106.3	6810	115.4	59
1L30T_-MDL10	5475	92.8	5815	98.6	6110	103.6	6635	112.5	59
1L27T_-MDL10	4975	84.3	5280	89.5	5550	94.1	6030	102.2	59
1L40T_-MDL08	4595	95.7	4880	101.7	5135	107.0	5565	115.9	48
1L30T_-MDL08	4480	93.3	4755	99.1	5005	104.3	5425	113.0	48
1L27T_-MDL08	4070	84.8	4320	90.0	4545	94.7	4925	102.6	48
1L40T_-MDL06	3495	94.5	3710	100.3	3920	105.9	4245	114.7	37
1L30T_-MDL06	3405	92.0	3615	97.7	3820	103.2	4135	111.8	37
1L27T_-MDL06	3095	83.6	3285	88.8	3470	93.8	3760	101.6	37

## Performance 1750LEDH (Based on CA Lens)

MODEL #	T2 DELIVERED LUMENS	EFFICACY (LPW)	T3 DELIVERED LUMENS	EFFICACY (LPW)	T4 DELIVERED LUMENS	EFFICACY (LPW)	T5 DELIVERED LUMENS	EFFICACY (LPW)	WATTAGE
1L40T_-MDL10	6200	105.1	6540	110.8	6685	113.3	7165	121.4	59
1L30T_-MDL10	6040	102.4	6375	108.1	6515	110.4	6980	118.3	59
1L27T_-MDL10	5490	93.1	5790	98.1	5920	100.3	6345	107.5	59
1L40T_-MDL08	5080	105.8	5370	111.9	5485	114.3	5870	122.3	48
1L30T_-MDL08	4950	103.1	5235	109.1	5345	111.4	5720	119.2	48
1L27T_-MDL08	4500	93.8	4755	99.1	4855	101.1	5195	108.2	48
1L40T_-MDL06	3870	104.6	4085	110.4	4175	112.8	4460	120.5	37
1L30T_-MDL06	3770	101.9	3980	107.6	4070	110.0	4345	117.4	37
1L27T_-MDL06	3425	92.6	3615	97.7	3695	99.9	3950	106.8	37



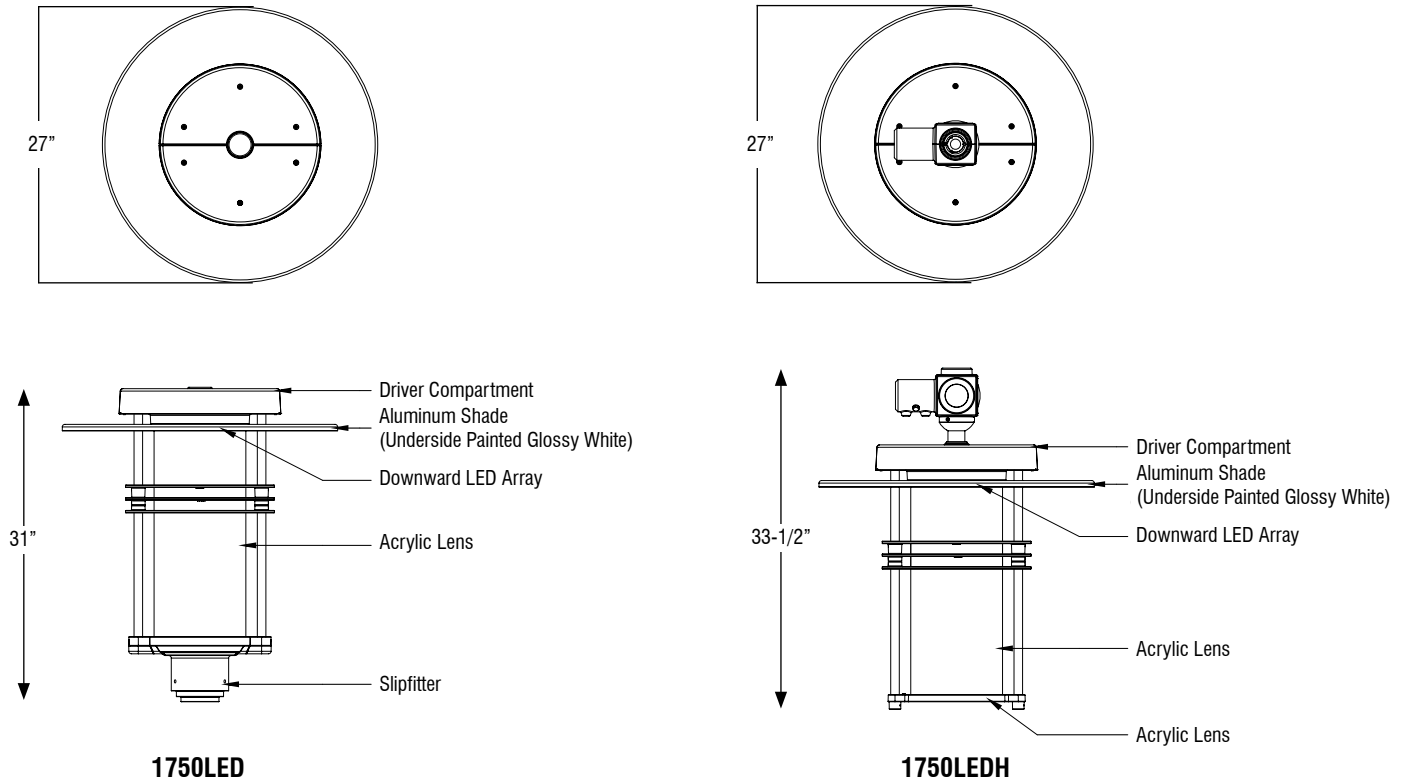
SternbergLighting

ESTABLISHED 1923

800-621-3376  
555 Lawrence Ave., Roselle, IL 60172  
contactus@sternberglighting.com  
www.sternberglighting.com

10/21 STERNBERG LIGHTING. ALL RIGHTS RESERVED. PRINTED IN THE USA.

## Fixtures



## Other Options

