



# 1740LED CHATEAU SERIES



EPA  
.75 (ft<sup>2</sup>)  
WEIGHT  
28 LBS

7 YEAR  
WARRANTY

LUMEN  
RANGE  
2,450 to  
6,300

LIFE SPAN  
L70  
MINIMUM  
100,000  
HOURS

UL  
LISTED

CLICK  
FOR FAQ'S

IP  
RATING

JOB NAME \_\_\_\_\_

FIXTURE TYPE \_\_\_\_\_

MEMO \_\_\_\_\_

## BUILD A PART NUMBER

ORDERING EXAMPLE: **PT-1740LED-DR-R3-1L40T5-MDLO4-CA-R-PE/3212T4/BKT**

Mounting Config.	Fixture	Rings	Fitter	LED	CCT	Type	Driver	Lens	Option Receptacle Control	Option Photocontrol	Option Fuse	Option Hangstraight	Option House Side Shield	Arm See Arm Spec Sheets	Pole See Pole Spec Sheets	Finish

### Mounting Configuration

(Click here to view mounting configuration sheet)

- IW    • 2A    • 3A90    • 1AM    • CAT<sup>1</sup>
- PT    • 2A90    • 3APT    • 2AM
- 1A    • 2APT    • 4A    • 450PB
- 1APT    • 3A    • 4APT    • SH44<sup>1,2</sup>

W = Wall Mount PT = Post Top A = Arm Mount AM = Arm Mid-Mount PB = Pier Base SH = Stem Hung CAT = Catenary

<sup>1</sup> For use with 1740LEDH only.

<sup>2</sup> Include Stem length in inches after designation (IE: SH44-36").

### Fixture

- 1740LED    • 1740LEDH

### Rings

- DR (Decorative Rings)    • RL (Ring-less)

### Fitter<sup>3</sup>

- R3    • R4

<sup>3</sup> Specify fitter for 1740LED only.

### LED

- 1L

### CCT - Color Temperature (K)

- 27(00)    • 30(00)    • 35(00)    • 40(00)    • 50(00)

### Type

- T2    • T3    • T4    • T5

### Driver

- MDLO4 (120V-277V, 400mA)
- MDLO6 (120V-277V, 600mA)
- MDLO8 (120V-277V, 800mA)
- MDHO4 (347V-480V, 400mA)
- MDHO6 (347V-480V, 600mA)
- MDHO8 (347V-480V, 800mA)

### Lens

- CA (Clear Acrylic Lens)
- WA (White Acrylic Lens)
- SVID (Clear Acrylic exterior lens, Light diffused internal dome)
- SV2D (Clear Acrylic exterior lens, Moderate diffused internal dome)

### Options (Click here to view accessories sheet)

- R<sup>4</sup> 3-Pin control receptacle only
- R5<sup>4</sup> 5-Pin control receptacle only
- R7<sup>4</sup> 7-Pin control receptacle only
- PE<sup>5</sup> Twist-Lock Photocontrol (120V-277V)
- PE3<sup>5</sup> Twist-Lock Photocontrol (347V)
- PE4<sup>5</sup> Twist-Lock Photocontrol (480V)
- SC<sup>5</sup> Shorting Cap
- PEC Electronic Button Photocontrol (120V-277V)
- PEC4 Electronic Button Photocontrol (480V)
- FHD<sup>6</sup> Double Fuse and Holder
- HSHS<sup>7</sup> Standard Horizontal Hangstraight, Spike Finial
- HSHN<sup>7</sup> Standard Horizontal Hangstraight, No Finial
- HSHB<sup>7</sup> Standard Horizontal Hangstraight, Ball Finial
- EZ<sup>7</sup> Vertical Hangstraight, Large, "EZ" Mount
- HSV<sup>7</sup> Vertical Hangstraight, Standard
- HSS 120° House Side Shield

<sup>4</sup> Cannot be used with SH44, CAT, EZ or HSV

<sup>5</sup> Requires control receptacle.

<sup>6</sup> Ships loose for installation in base.

<sup>7</sup> For use with 1740LEDH fixture only.

### Arm (Click here to link to arm specification page)

See Arms & Wall Brackets specification sheets.

- OMS    • HMS    • OLS
- VCS    • VFS    • VLS

### Pole (Click here to link to pole specification page)

See Pole specification sheets.

### Finish

Standard Urban Finishes (Click here to view paint finish sheet)

- UGMT Gun Metal Textured
- UGM Gun Metal Matte
- UBT Urban Bronze Textured
- UB Urban Bronze Matte
- USLT Urban Silver Textured
- USL Urban Silver Matte
- UWHT Urban White Textured
- UWH Urban White Matte
- BKT Black Textured

### Custom Urban Finishes<sup>8</sup>

- CM Custom Match

<sup>8</sup> Smooth finishes are available upon request.

## Specifications

### Fixture

The Chateau series luminaire is a small scale, dramatic design fixture featuring a tall, cylindrical body made up of a cast aluminum top, round lens and spun aluminum shade. The Luminaire shall be UL listed in US and Canada.

### Fitter - Standard

The fixture shall be provided with a heavy wall cast aluminum fitter that can accept a 3" OD (R3), 4" OD (R4) or 5" OD (R5) pole or 3" tall tenon. The end of the fitter shall have four (4) stainless steel allen head screws which secures the connection between the fitter and tenon.

### LEDs

The luminaire shall use high output, high brightness LED's, consisting of a two piece assembly complete with Chip on Board (COB) LED component and COB holder frame. The LED's and printed circuit boards shall be 100% recyclable; they shall also be protected from moisture and corrosion by a conformal coating of 1 to 3 mils. They shall not contain lead, mercury or any other hazardous substances and shall be RoHS compliant. The LED life rating data shall be determined in accordance with IESNA LM-80. The High Performance white LED's will have a life expectancy of approximately 100,000 hours with not less than 70% of original brightness (lumen maintenance), rated at 25°C. The High Brightness, High Output LED's shall be 4000K (2700K, 3000K, 3500K or 5000K option) color temperature with a minimum of 70 CRI. Consult factory for custom color CCT. The luminaire shall have a minimum \_\_\_\_\_ (see table) delivered initial lumen rating when operated at steady state with an average ambient temperature of 25°C (77°F)

See next page



# SternbergLighting

ESTABLISHED 1923

800-621-3376  
555 Lawrence Ave., Roselle, IL 60172  
contactus@sternberglighting.com  
www.sternberglighting.com

# 1740LED CHATEAU SERIES

LED

## Optics

The luminaire shall be provided with individual, molded silicone refractor type optics applied to each COB (Chip On Board) LED assembly. The optic shall be at least 92% efficient while providing superior thermal, UV and impact resistance for the COB assembly. The optic ensures precise light control while providing cutoff control that limits or contains up-light. The luminaire shall provide Type \_\_\_\_ (2, 3, 4 or 5) light distribution per the IESNA classifications. Testing shall be done in accordance with IESNA LM-79.

## Electronic Drivers

The LED driver shall be U.L. Recognized. It shall be securely mounted inside the fixture, for optimized performance and longevity. It shall be supplied with a quick-disconnect electrical connector on the power supply, providing easy power connections and fixture installation. It

shall have overload as well as short circuit protection, and have a DC voltage output, constant current design, 50/60HZ. It shall be supplied with line-ground, line-neutral and neutral-ground electrical surge protection in accordance with IEEE/ANSI C62.41.2 guidelines. It shall be dimmable using a 0-10v signal. The driver shall have a minimum efficiency of 88%.

## Photocontrols

**Twist-Lock Style:** The photocontrol shall be mounted externally on the fixture and pre-wired to driver. The twist lock type photocontrol is instant on with a 3-6 second turn off, and shall turn on at 1.5 footcandles with a turn-off at 2-3 footcandles. Photocontrol is 120-277 volt and warranted for 6 years.

**Button Style:** The photocontrol shall be mounted in the "catenary box" or in the pole shaft on an access plate. The electronic button type photocontrol is instant on with a 5-10 second turn off, and shall turn on at 1.5 footcandles with a turn-off at 2-3 footcandles. Photocontrol is 120-277 volt and warranted for 6 years.

## Warranty

Seven-year limited warranty. See product and finish warranty guide for details.

## Finish

Refer to website for details.

## Performance 1740LED (Based on CA Lens)

MODEL #	T3 DELIVERED LUMENS	EFFICACY (LPW)	T4 DELIVERED LUMENS	EFFICACY (LPW)	T5 DELIVERED LUMENS	EFFICACY (LPW)	WATTAGE
1L27T_-MD_08	4640	96.7	4655	97.0	5145	107.2	48
1L30T_-MD_08	5230	109.0	5250	109.4	5800	120.8	48
1L40T_-MD_08	5395	112.4	5410	112.7	5980	124.6	48
1L27T_-MD_06	3575	96.6	3565	96.4	3940	106.5	37
1L30T_-MD_06	4030	108.9	4020	108.6	4445	120.1	37
1L40T_-MD_06	4155	112.3	4145	112.0	4585	123.9	37
1L27T_-MD_04	2450	94.2	2450	94.2	2685	103.3	26
1L30T_-MD_04	2765	106.3	2765	106.3	3030	116.5	26
1L40T_-MD_04	2850	109.6	2850	109.6	3125	120.2	26

## Performance 1740LEDH (Based on CA Lens)

MODEL #	T3 DELIVERED LUMENS	EFFICACY (LPW)	T4 DELIVERED LUMENS	EFFICACY (LPW)	T5 DELIVERED LUMENS	EFFICACY (LPW)	WATTAGE
1L27T_-MD_08	5095	106.1	5170	107.7	5415	112.8	48
1L30T_-MD_08	5745	119.7	5830	121.5	6110	127.3	48
1L40T_-MD_08	5920	123.3	6010	125.2	6300	131.3	48
1L27T_-MD_06	3900	105.4	3980	107.6	4155	112.3	37
1L30T_-MD_06	4395	118.8	4490	121.4	4685	126.6	37
1L40T_-MD_06	4535	122.6	4625	125.0	4830	130.5	37
1L27T_-MD_04	2665	102.5	2730	105.0	2840	109.2	26
1L30T_-MD_04	3005	115.6	3075	118.3	3205	123.3	26
1L40T_-MD_04	3100	119.2	3170	121.9	3305	127.1	26



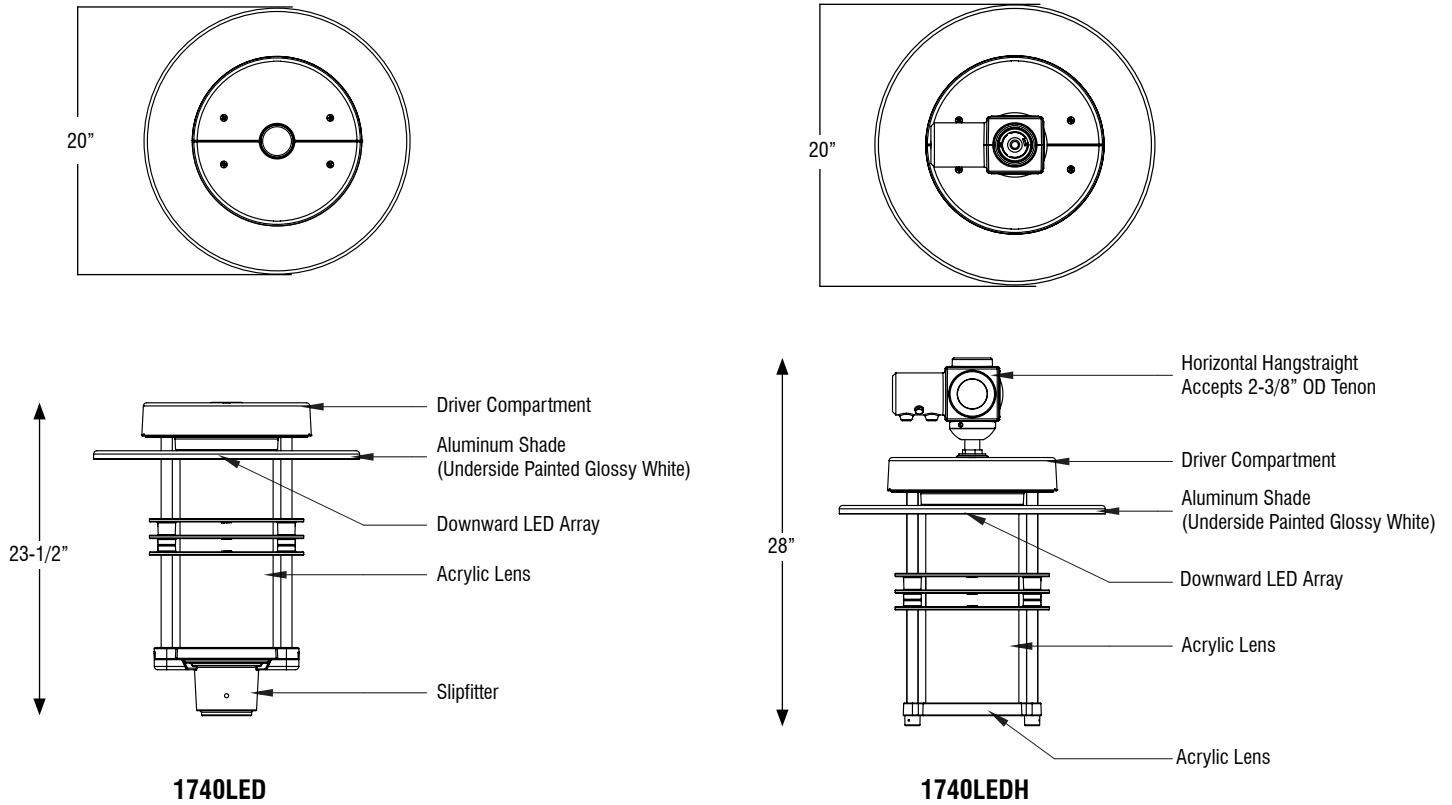
**SternbergLighting**

ESTABLISHED 1923

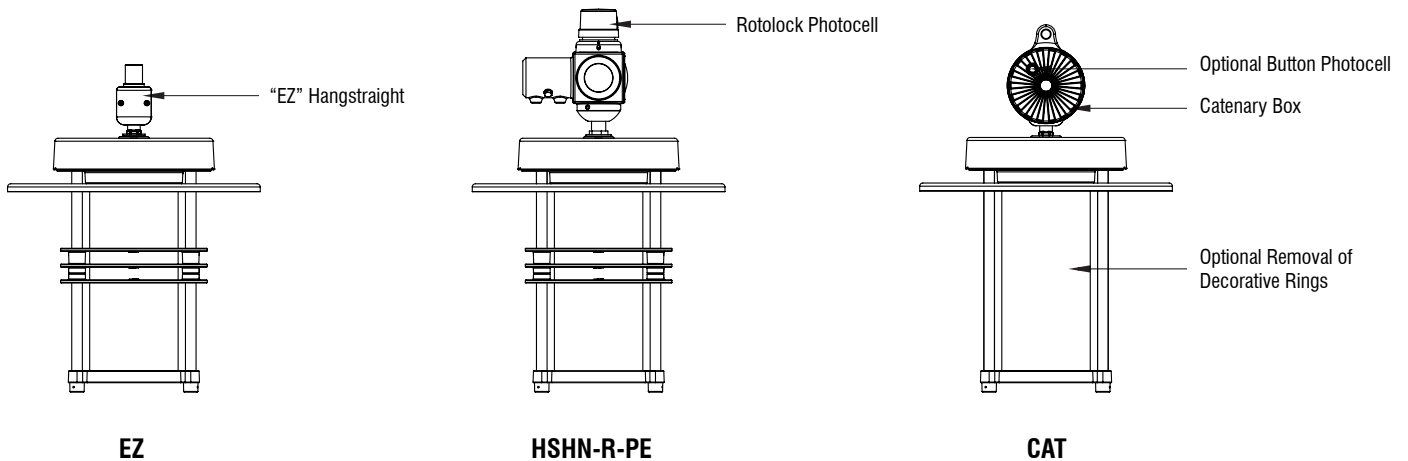
800-621-3376  
555 Lawrence Ave., Roselle, IL 60172  
contactus@sternberglighting.com  
www.sternberglighting.com

10/21 STERNBERG LIGHTING. ALL RIGHTS RESERVED. PRINTED IN THE USA.

## Product Dimensions and Features



## Other Options



**SternbergLighting**

ESTABLISHED 1923

800-621-3376  
 555 Lawrence Ave., Roselle, IL 60172  
 contactus@sternberglighting.com  
 www.sternberglighting.com