



# 1720LED VILLA SERIES



EPA  
1.1 (ft<sup>2</sup>)  
WEIGHT  
37 LBS

7 YEAR  
WARRANTY

LUMEN  
RANGE  
4,225 to  
9,070

LIFE SPAN  
L70  
MINIMUM  
100,000  
HOURS



JOB NAME \_\_\_\_\_

FIXTURE TYPE \_\_\_\_\_

MEMO \_\_\_\_\_

\*Optical module only

\*Fixture "A" shown above, additional styles on page 3.

## BUILD A PART NUMBER

ORDERING EXAMPLE: **PT-1720CLED-RA-IH1-R3-IL40TS-MDL07-SV2-MS-R5-PE/BKT**

Mounting Config.	Fixture	Roof	Internal Housing	Fitter	LED	CCT	Type	Driver	Internal Lens	Option Mini Shade	Option External Rings	Option Control Recept.	Option Control	Option Fuse	Option Hangstraight	Option House Side Shield	Arm See Arm Spec Sheets	Pole See Pole Spec Sheets	Finish

### Mounting Configuration

(Click here to view mounting configuration sheet)

- 1W    • 2A    • 3A90    • 1AM    • CAT
- PT    • 2A90    • 3APT    • 2AM
- 1A    • 2APT    • 4A    • 45OPB
- 1APT    • 3A    • 4APT    • SH44<sup>1</sup>

W = Wall Mount    PT = Post Top    A = Arm Mount    AM = Arm Mid-Mount    PB = Pier Base    CAT = Catenary    SH = Stem Hung

<sup>1</sup> Include overall drop length in inches after designation for stem application (IE: SH44-48").

### Fixture

- 1720ALED    • 1720BLED    • 1720CLED
- 1720ALEDH    • 1720BLEDH    • 1720CLEDH

H = Hanging Fixture

### Roof

- RA (Deep shade w/ sloped top)
- RB (Deep shade w/ stepped top)
- RC<sup>2</sup> (Thin shade)
- RD (Shallow shade w/ flat top)
- RE<sup>3</sup> (No shade w/ flat top)

<sup>2</sup> Not for use with "A" or "B" style fixture

<sup>3</sup> Not for use with "B" style fixture

### Internal Housing<sup>7</sup>

- IH1<sup>4,5</sup> (Stacked louvers)
- IH2<sup>5</sup> (Smooth cylinder)
- IH3<sup>5</sup> (Tapered cylinder)
- IH4<sup>5</sup> (4-vaned deco)
- IH5<sup>5</sup> (Ringed cylinder)
- IH6<sup>6</sup> (Low-rise cone)

<sup>4</sup> Not for use with "SV2RB" Internal Lens

<sup>5</sup> For use with "TS" optic only

<sup>6</sup> For use with "TSL" or "TAL" optic only

<sup>7</sup> Internal Housing offered with Silver finish only

### Fitter

- R3    • R4    • NA<sup>8</sup>

<sup>8</sup> For use with hanging (H) fixture only

### LED

- IL

### CCT - Color Temperature (K)

- 27(00)    • 30(00)    • 35(00)    • 40(00)    • 50(00)

### Distribution Type

- TS (Symmetric, behind internal lens)

- TSL<sup>9</sup> (Symmetric, with large optic)
- TAL<sup>9</sup> (Asymmetric, with large optic)

<sup>9</sup> Not for use with "RC" roof.

### Driver

- MDL07 (120V-277V, 700mA)
- MDL09 (120V-277V, 900mA)
- MDL11 (120V-277V, 1100mA)
- MDL14 (120V-277V, 1400mA)
- MDH07 (347V-480V, 700mA)
- MDH09 (347V-480V, 900mA)
- MDH11 (347V-480V, 1100mA)
- MDH14 (347V-480V, 1400mA)

### Internal Lens

- SV2RB<sup>10</sup> (Soft Vue Moderate Diffused Ribbed Acrylic Vertical Lens)
- SV2<sup>10</sup> (Soft Vue Moderate Diffused Acrylic Vertical Lens)
- SV4<sup>10</sup> (Soft Vue Maximum Diffused Acrylic Vertical Lens)
- NIL<sup>11</sup> (No Internal Vertical Lens)

<sup>10</sup> For use with "TS" optic only.

<sup>11</sup> For use with "TSL" or "TAL" optic only.

### Options (Click here to view accessories sheet)

- MS<sup>12</sup> Mini-Shade
- ERS<sup>12</sup> External Rings
- R<sup>13</sup> 3-Pin control receptacle only
- R5<sup>13</sup> 5-Pin control receptacle only
- R7<sup>13</sup> 7-Pin control receptacle only
- PE<sup>14</sup> Twist-Lock Photocontrol (120V-277V)
- PE3<sup>14</sup> Twist-Lock Photocontrol (347V)
- PE4<sup>14</sup> Twist-Lock Photocontrol (480V)
- SC<sup>14</sup> Shorting Cap
- FHD<sup>15</sup> Double Fuse and Holder
- HSHS<sup>16</sup> Standard Horizontal Hangstraight, Spike Finial
- HSHN<sup>16</sup> Standard Horizontal Hangstraight, No Finial
- HSHB<sup>16</sup> Standard Horizontal Hangstraight, Ball Finial
- EZ<sup>16</sup> Vertical Hangstraight, Large, "EZ" Mount
- HSV<sup>16</sup> Vertical Hangstraight, Standard
- HSS 120° House Side Shield

<sup>12</sup> For use with "C" style fixture only

<sup>13</sup> Cannot be used with SH44, CAT, EZ or HSV mounting style

<sup>14</sup> Requires control receptacle

<sup>15</sup> Ships loose for installation in base

<sup>16</sup> For use with hanging (H) fixture only

### Arm (Click here to link to arm specification page)

See Arms & Wall Brackets specification sheets.

- OM    • HM    • VC
- VF    • VL

### Pole (Click here to link to pole specification page)

See Pole specification sheets.

### Finish (Click here to view paint finish sheet)

#### Standard Urban Finishes

- UGMT Gun Metal Textured
- UGM Gun Metal Matte
- UBT Urban Bronze Textured
- UB Urban Bronze Matte
- USLT Urban Silver Textured
- USL Urban Silver Matte
- UWHT Urban White Textured
- UWH Urban White Matte
- BKT Black Textured

#### Custom Urban Finishes<sup>17</sup>

- CM Custom Match
- CHL Custom Highlights (consult factory for more information)

<sup>17</sup> Smooth finishes are available upon request.

## Specifications

### Fixture

Fixture shall be cylindrical in form (straight or tapered lens as specified), and feature both a roof casting and internal housing manufactured via permanent mold tooling. The outer lens shall be one-piece, injection molded, non-yellowing acrylic, sealed top and bottom with seamless silicone gaskets to an IP66 rating. Set screws and related hardware shall be finish painted to match the fixture housing. The luminaire shall be UL listed in the U.S. and Canada.

### Optional Mini-Shade / External Rings

Offered on fixture style "C" only.

**(Mini-Shade)** A small cast aluminum louvered shade measuring 17-1/2" OD x 1-1/2" tall, installed above the shade on roof style RC. Installed under shade on styles RA, RB, RD & RE

**(External Rings)** 2 flat cast aluminum rings

See next page



# SternbergLighting

ESTABLISHED 1923

800-621-3376  
555 Lawrence Ave., Roselle, IL 60172  
contactus@sternberglighting.com  
www.sternberglighting.com

# 1720LED VILLA SERIES

LED

measuring 13" OD, installed above the shade on roof style **RC**. Installed under shade on styles **RA, RB, RD & RE**

## Fitter - Standard

Fixture shall house the driver and be provided with a heavy wall die cast aluminum fitter designed to slip-fit 3"OD (R3) or 4"OD (R4) x 3" tall tenons/poles. The fitter shall have three (3) stainless steel allen head screws to secure the connection between the fitter and tenon/pole. All external hardware shall be finish painted to match the rest of the fixture housing.

## LEDs

The luminaire shall use high output, high brightness LED's, consisting of a two piece assembly complete with Chip on Board (COB) LED component and COB holder frame. The LED's and printed circuit boards shall be 100% recyclable; they shall also be protected from moisture and corrosion by a conformal coating of 1 to 3 mils. They shall not contain lead, mercury or any other hazardous substances and shall be RoHS compliant. The LED life rating data shall be determined in accordance with IESNA LM-80. The High Performance white LED's will have a life expectancy of approximately 100,000 hours with not less than 70% of original brightness (lumen maintenance), rated at 25°C. The High Brightness, High Output LED's shall be 4000K (2700K, 3000K, 3500K or 5000K option) color temperature with a minimum of 70 CRI. Consult factory for custom color CCT. The luminaire shall have a minimum \_\_\_\_\_ (see table) delivered initial lumen rating

when operated at steady state with an average ambient temperature of 25°C (77°F).

## Optics

**(TS Optic)** The luminaire shall be provided with an individual, molded silicone refractor type optic applied to the COB (Chip On Board) LED assembly. An additional vertical diffused acrylic lens installed inside the unit allows for a high level of visual comfort. All testing shall be done in accordance with IESNA LM-79.

**(TSL & TAL Optic)** The luminaire shall be provided with an individual, large injection molded acrylic refractor type optic applied to the COB (Chip On Board) LED assembly. The optic visually spreads out size of the light source while creating a Symmetric (**TSL**) or asymmetric (**TAL**) light pattern. All testing shall be done in accordance with IESNA LM-79.

## Electronic Drivers

The LED driver shall be U.L. Recognized. It shall be securely mounted inside the fixture, for optimized performance and longevity. It shall be supplied with a quick-disconnect electrical connector on the power supply, providing easy power connections and fixture installation. It shall have overload, overheat and short circuit protection, and have a DC voltage output, constant current design, 50/60HZ. It shall be supplied with line-ground, line-neutral and neutral-ground electrical surge protection in accordance with IEEE/ANSI C62.41.2 guidelines. It shall be a high efficiency driver with a THD less than 20% and a high power factor greater than .9. It shall be dimming capable

using a 0-10V signal, consult factory for more information.

## Photocontrols

**Twist-Lock Style:** The photocontrol shall be mounted externally on the fixture and pre-wired to driver. The twist lock type photocontrol is instant on with a 3-6 second turn off, and shall turn on at 1.5 footcandles with a turn-off at 2-3 footcandles. Photocontrol is 120-277 volt and warranted for 6 years.

## Wireless Controls

A 5-pin (R5) or 7-pin (R7) NEMA receptacle can be included on the unit for wireless control systems.

## Warranty

Seven-year limited warranty. See product and finish warranty guide for details.

## Finish

Refer to website for details.

## Performance (based on "C" style fixture with "RD" roof)

MODEL #	TS DELIVERED LUMENS	EFFICACY (LPW)	TSL DELIVERED LUMENS	EFFICACY (LPW)	TAL DELIVERED LUMENS	EFFICACY (LPW)	WATTAGE
1L40T_-MDL14	8975	112.2	9070	113.4	8935	111.7	80
1L30T_-MDL14	8745	109.3	8840	110.5	8705	108.8	80
1L27T_-MDL14	7945	99.3	8030	100.4	7910	98.9	80
1L40T_-MDL11	7325	114.5	7365	115.1	7270	113.6	64
1L30T_-MDL11	7140	111.6	7175	112.1	7085	110.7	64
1L27T_-MDL11	6485	101.3	6520	101.9	6435	100.5	64
1L40T_-MDL09	6060	116.5	6130	117.9	6045	116.3	52
1L30T_-MDL09	5905	113.6	5975	114.9	5890	113.3	52
1L27T_-MDL09	5365	103.2	5425	104.3	5350	102.9	52
1L40T_-MDL07	4790	116.8	4845	118.2	4770	116.3	41
1L30T_-MDL07	4670	113.9	4720	115.1	4650	113.4	41
1L27T_-MDL07	4240	103.4	4290	104.6	4225	103.0	41

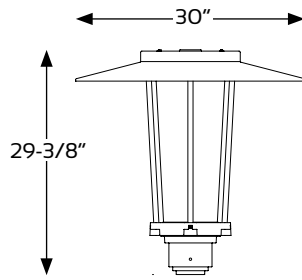


**SternbergLighting**

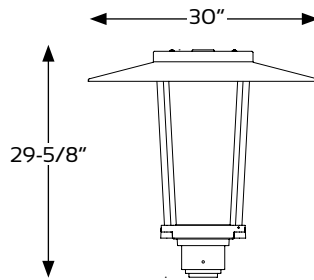
ESTABLISHED 1923

800-621-3376  
555 Lawrence Ave., Roselle, IL 60172  
contactus@sternberglighting.com  
www.sternberglighting.com

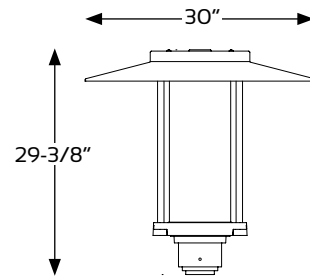
## Fixtures



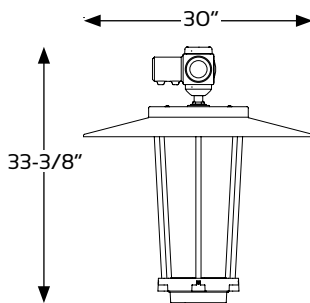
1720ALED-RD



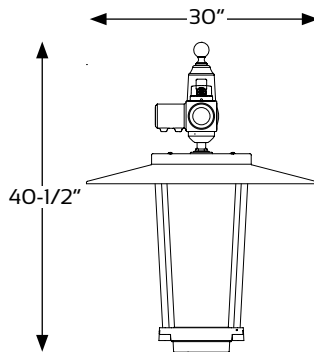
1720BLED-RD



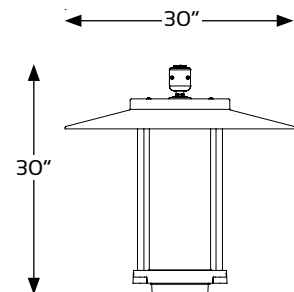
1720CLED-RD



1720ALEDH-RD-HSHN



1720BLEDH-RD-HSHB  
With 3-pin Receptacle  
(R) and Photocell (PE)



1720CLEDH-RD-EZ

## Roof



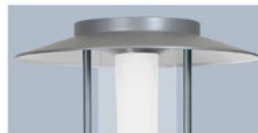
**RA**  
Deep Shade  
with Sloped Top



**RB**  
Deep Shade  
with Stepped Top



**RC**  
Thin Shade



**RD**  
Shallow Shade  
with Flat Top



**RE**  
No Shade  
with Flat Top



**SternbergLighting**

ESTABLISHED 1923

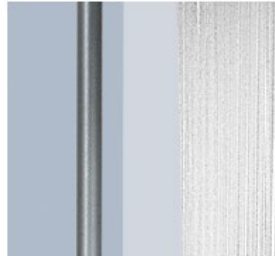
800-621-3376  
555 Lawrence Ave., Roselle, IL 60172  
contactus@sternberglighting.com  
www.sternberglighting.com

## Internal Lens



**SV2**  
Soft Vue Moderate Diffused  
Acrylic Vertical Lens

**SV4**  
Soft Vue Maximum Diffused  
Acrylic Vertical Lens



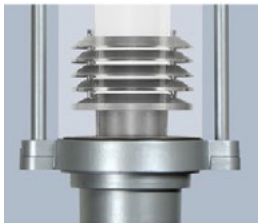
**SV2RB**  
Soft Vue Moderate Diffused  
Ribbed Acrylic Vertical Lens



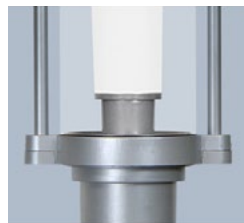
**TSL**  
Symmetrical Distribution

**TAL**  
Asymmetrical Distribution

## Internal Housing



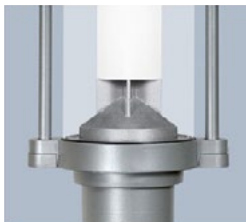
**IH1**  
Stacked Louvers



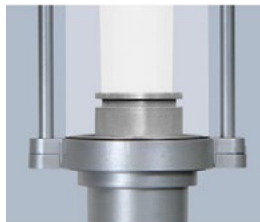
**IH2**  
Smooth Cylinder



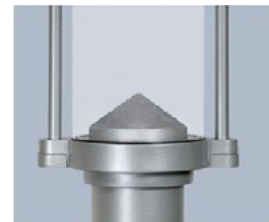
**IH3**  
Tapered Cylinder



**IH4**  
4-Vaned Deco



**IH5**  
Ringed Cylinder



**IH6**  
Low Rise Cone



**SternbergLighting**

ESTABLISHED 1923

800-621-3376  
555 Lawrence Ave., Roselle, IL 60172  
contactus@sternberglighting.com  
www.sternberglighting.com

## Options



**MS**  
Mini-Shade



**ERS**  
External Rings



**R-PE**  
Rotolock  
Photocell



**SternbergLighting**

ESTABLISHED 1923

800-621-3376  
555 Lawrence Ave., Roselle, IL 60172  
[contactus@sternberglighting.com](mailto:contactus@sternberglighting.com)  
[www.sternberglighting.com](http://www.sternberglighting.com)

10/21 STERNBERG LIGHTING. ALL RIGHTS RESERVED. PRINTED IN THE USA.