



1521LEDPT OMEGA SERIES

LED

EPA
1.75 (ft²)
WEIGHT
40 LBS

7 YEAR
WARRANTY

LUMEN
RANGE
8,915 to
2,575

LIFE SPAN
L70
MINIMUM
100,000
HOURS

UL
LISTED

CLICK
FOR FAQ'S

RATED
IP65

JOB NAME _____

FIXTURE TYPE _____

MEMO _____

BUILD A PART NUMBER

ORDERING EXAMPLE: **PT-1521LEDPT-4-1L40T5-MDL12-SVISA-HSS/4212P4/UBKT**

Mounting Config.	Fixture	Fitters	LED	CCT	Type	Driver	Lens	Optional Control Receptacle	Optional Control	Option Fuse	Option Term. Block	Option House Side Shield	Pole <small>See Pole Spec Sheets</small>	Finish

Mounting Configuration

(Click here to link to mounting configuration specification page)

• PT

PT = Post Top

Fixture

• 1521LEDPT

Fitters

• 3 • 4 • 5

LED

• 1L

CCT - Color Temperature (K)

• 27(00) • 30(00) • 35(00) • 40(00) • 50(00)

Distribution Type

• T2 • T3 • T4 • T5

Driver

- MDL04 (120V-277V, 400mA)
- MDL06 (120V-277V, 600mA)
- MDL09 (120V-277V, 900mA)
- MDL12 (120V-277V, 1200mA)
- MDH04 (347V-480V, 400mA)
- MDH06 (347V-480V, 600mA)
- MDH09 (347V-480V, 900mA)
- MDH12 (347V-480V, 1200mA)

Lens

- SA (Sag Clear Acrylic)
- SVISA (Soft View Light Diffused Acrylic Sag)
- SV2SA (Soft View Moderate Diffused Acrylic Sag)
- SV4SA (Soft View Maximum Diffused Acrylic Sag)
- FL (Full Lens, Clear Acrylic)

Options (Click here to view accessories sheet)

- R7¹ 7-Pin control receptacle only
- PE² Twist-Lock Photocontrol (120V-277V)
- PE³ Twist-Lock Photocontrol (347V)
- PE⁴ Twist-Lock Photocontrol (480V)
- SC² Shorting Cap
- PEC Electronic Button Photocontrol (120V-277V)
- PEC⁴ Electronic Button Photocontrol (480V)
- FHD³ Double Fuse and Holder
- TB Terminal Block

• HSS 120° House Side Shield

¹ Receptacle EXTERNALLY mounted on roof.

² Requires control receptacle.

³ Ships loose for installation in base.

Pole (Click here to link to pole specification page)

See Pole specification sheets.

Finish

Standard Urban Finishes (Click here to view paint finish sheet)

- UGMT Gun Metal Textured
- UGM Gun Metal Matte
- UBT Urban Bronze Textured
- UB Urban Bronze Matte
- USLT Urban Silver Textured
- USL Urban Silver Matte
- UWHT Urban White Textured
- UWH Urban White Matte
- BKT Black Textured

Custom Urban Finishes⁴

- CM Custom Match

⁴ Smooth finishes are available upon request.

Specifications

Fixture

The 1521LEDPT Omega series is small scale, decorative Post Top fixture with a spun aluminum bell styled dome. The luminaire measures 21" outside diameter and 40" overall height. The luminaire is U.L. listed in U.S. and Canada.

Fitter

The fixture shall be provided with a heavy wall cast aluminum decorative fitter that can accept a 3" OD (3), 4" OD (4) or 5" OD (5) pole or 3" tall tenon. The end of the fitter shall have four (4) stainless steel allen head screws which secures the connection between the fitter and tenon

LEDs

The luminaire shall use high output, high brightness LEDs, consisting of a two piece assembly complete with Chip on Board (COB) LED component and COB holder frame. The LEDs and printed circuit boards shall be 100%

recyclable; they shall also be protected from moisture and corrosion by a conformal coating of 1 to 3 mils. They shall not contain lead, mercury or any other hazardous substances and shall be RoHS compliant. The LED life rating data shall be determined in accordance with IESNA LM-80. The High Performance white LEDs will have a life expectancy of approximately 100,000 hours with not less than 70% of original brightness (lumen maintenance), rated at 25°C. The High Brightness, High Output LEDs shall be 4000K (2700K, 3000K, 3500K or 5000K option) color temperature with a minimum of 70 CRI. Consult factory for custom color CCT. The luminaire shall have a minimum _____ (see table) delivered initial lumen rating when operated at steady state with an average ambient temperature of 25°C (77°F)

Optics

The luminaire shall be provided with individual, molded silicone refractor type optics applied to each COB (Chip On Board) LED assembly. The optic shall be at least 92% efficient while providing superior thermal, UV and impact resistance for the COB assembly. The optic ensures precise light control while providing cutoff control that limits or contains up-light. The luminaire shall provide Type ____ (2, 3, 4 or 5) light distribution per the IESNA classifications. Testing shall be done in accordance with IESNA LM-79.

Electronic Drivers

The LED driver shall be U.L. Recognized. It shall be securely mounted inside the fixture, for optimized performance and longevity. It shall be supplied with a quick-disconnect electrical connector on the power supply, providing easy power connections and fixture installation. It shall have overload, overheat and short circuit protection, and have a DC voltage output, constant current design, 50/60HZ. It shall be supplied with line-ground, line-neutral and neutral-ground electrical surge protection in accordance with IEEE/ANSI C62.41.2 guidelines. It shall be a high efficiency driver with a THD less than 20% and a high power factor greater than .9. It shall be dimming capable

See next page

1521LEDPT OMEGA SERIES

LED

using a 0-10v signal, consult factory for more information.

Photocontrols

Button Style: The photocontrol shall be mounted on the fixture and pre-wired to driver. The electronic button type photocontrol is instant on with a 5-10 second turn off, and shall turn on at 1.5 footcandles with a turn-off at 2-3 footcandles. Photocontrol is 120-277 volt and warranted for 6 years. See pole spec sheet for pole mounted version.

Twist-Lock Style: A 3-pin photocontrol receptacle shall be mounted internally in the roof of the fixture and pre-wired to driver. A clear window allows for light conditions. 5-pin/7-pin photocontrol receptacles shall be mounted externally on the roof of the fixture and pre-wired to driver. The twist lock type photocontrol is instant on with a 3-6 second turn off, and shall turn on at 1.5 footcandles with a turn-off at 2-3 footcandles. Photocontrol is 120-277 volt and warranted for 6 years.

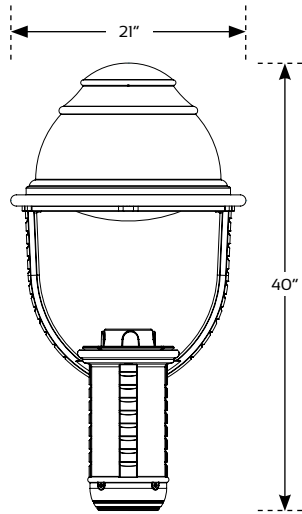
Warranty

Seven-year limited warranty. See product and finish warranty guide for details.

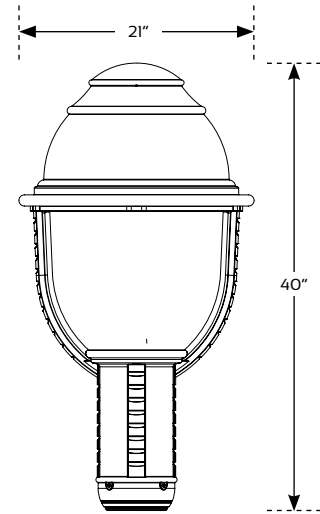
Finish

Refer to website for details.

Fixtures



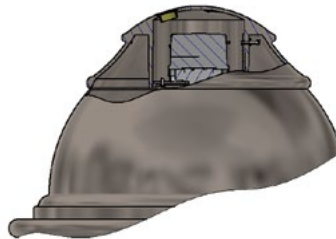
1521LEDPT-SA
(Open Body Sag Lens)



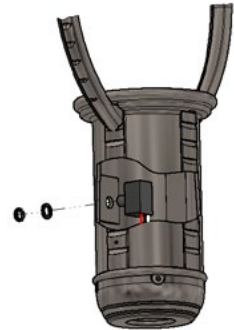
1521LEDPT-FL
Closed Body Full Lens

Options

R-PE



PEC



R5-PE



FHD
Fuse holder



SternbergLighting

ESTABLISHED 1923

800-621-3376
555 Lawrence Ave., Roselle, IL 60172
contactus@sternberglighting.com
www.sternberglighting.com

10/21 STERNBERG LIGHTING. ALL RIGHTS RESERVED. PRINTED IN THE USA.

1521LEDPT OMEGA SERIES

LED

Performance (Based on SA Lens)

MODEL #	T2 DELIVERED LUMENS	EFFICACY (LPW)	T3 DELIVERED LUMENS	EFFICACY (LPW)	T4 DELIVERED LUMENS	EFFICACY (LPW)	T5 DELIVERED LUMENS	EFFICACY (LPW)	WATTS
1L40T_-MDL12	7725	110.4	7875	112.5	8150	116.4	8915	127.4	70
1L30T_-MDL12	7475	106.8	7620	108.9	7890	112.7	8625	123.2	70
1L27T_-MDL12	6770	96.7	6900	98.6	7140	102.0	7810	111.6	70
1L40T_-MDL09	6015	115.7	6155	118.4	6365	122.4	6915	133.0	52
1L30T_-MDL09	5820	111.9	5955	114.5	6165	118.6	6690	128.7	52
1L27T_-MDL09	5270	101.3	5395	103.8	5580	107.3	6060	116.5	52
1L40T_-MDL06	4085	116.7	4175	119.3	4345	124.1	4695	134.1	35
1L30T_-MDL06	3955	113.0	4040	115.4	4210	120.3	4545	129.9	35
1L27T_-MDL06	3580	102.3	3660	104.6	3810	108.9	4115	117.6	35
1L40T_-MDL04	2940	117.6	3015	120.6	3145	125.8	3385	135.4	25
1L30T_-MDL04	2845	113.8	2915	116.6	3045	121.8	3280	131.2	25
1L27T_-MDL04	2575	103.0	2640	105.6	2755	110.2	2970	118.8	25



SternbergLighting

ESTABLISHED 1923

800-621-3376
555 Lawrence Ave., Roselle, IL 60172
contactus@sternberglighting.com
www.sternberglighting.com

10/21 STERNBERG LIGHTING. ALL RIGHTS RESERVED. PRINTED IN THE USA.