

760 CRAFTSMAN RESIDENTIAL SERIES SPECIFICATIONS

FIXTURE	SOCKET TYPE	OPTICAL SYSTEMS	BB BALLAST BOX	POST FITTER
<p>12"</p> <p>13 1/2"</p> <p>760</p>	<p>MED Single Medium Base Socket</p>	<p>PL Compact Fluorescent</p>	<p>HSS House Side Shield</p> <p>FMC Frosted Mission Chimney</p>	<p>78BB - Large Scale for up to 100 watt ballasts</p> <p>27BB - Hanging or Pier for up to 100 watt ballasts</p> <p>R3" S4" R4"</p> <p>SIZES</p>

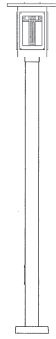
LENSES	
	CA Clear Acrylic
	CSA Clear Seeded Acrylic
	CTA Clear Textured Acrylic
	PA Prismatic Acrylic
	WA White Acrylic
	AGB Art Glass Brown Marble

POST MOUNT, WALL BRACKETS & PIER MOUNT				
<p>9 1/2"</p> <p>13 1/2"</p> <p>760WB</p>	<p>14 1/2"</p> <p>12"</p> <p>13 1/2"</p> <p>760/77WB</p>	<p>15 1/2"</p> <p>12"</p> <p>18 3/8"</p> <p>760/HMA3⁺</p>	<p>12"</p> <p>36"</p> <p>760HCH27⁺⁺</p>	<p>12"</p> <p>36"</p> <p>760HSH27⁺⁺</p>
<p>15 1/2"</p> <p>12"</p> <p>19 3/8"</p> <p>760/TPS3</p>	<p>12"</p> <p>16 3/4"</p> <p>760PB</p>	<p>12"</p> <p>16 1/2"</p> <p>760PT⁺</p>		

NOTE: 760 Series 100W Max. INC. Refractors not available.
† Remote Ballast required if HID or CF. †† Add BB Ballast Box for 100W HID.

BUILDING A PART NUMBER

POST & ARM FIXTURES

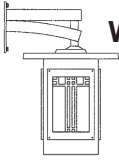


ARM MOUNTED FIXTURE POST TOP FIXTURE (PT) POST POST CAP LIGHT SOURCE BALLAST OPTICS OPTIONS LENS FINISH

NO. OF ARMS FIXTURE / POST ARM FIXT./FITTER (See Post Section) WATTS / TYPE / VOLTS

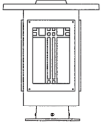
760 / S4 / 4SQX / 100MHP120 / WA / BKT

WALL FIXTURE



FIXTURE / WALL BRACKET LIGHT SOURCE BALLAST OPTICS OPTIONS LENS FINISH

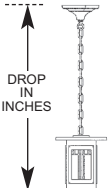
760 / TPS3 / 100MHP120 / MHP100/MED / WA / BKT



PIER FIXTURES
Uses same information boxes as wall fixture

760 / P28B
FIXTURE / PIER BASE

HANGING FIXTURES



DROP IN INCHES

FIXTURE / HANGING BRACKET OVERALL DROP IN INCHES LIGHT SOURCE BALLAST OPTICS OPTIONS LENS FINISH

760H / CH27 / 36 INCHES / 100MHP120 / FMC / MHP100/MED / CA / BKT

PART NUMBER SELECTIONS

- | | | | | | | |
|--|---|---|--|---|--|---|
| <p>FIXTURES</p> <ul style="list-style-type: none"> • 760 <p>OPTICS</p> <ul style="list-style-type: none"> • HSS • FMC • MED • PL <p>FITTERS</p> <ul style="list-style-type: none"> • R3 • S4 • R4 | <p>POST ARMS</p> <ul style="list-style-type: none"> • 77PM • HMA3PM • TPS3PM <p>LENSES</p> <ul style="list-style-type: none"> • CA • CSA • CTA • PA • WA • AGB | <p>WALL BRACKET ARMS</p> <ul style="list-style-type: none"> • 77WB • HMA3WB • TPS3WB <p>HANGING BRACKETS</p> <ul style="list-style-type: none"> • CH27 • SH27 <p>PIER BASE</p> <ul style="list-style-type: none"> • P28B | <p>LAMPS⁴</p> <ul style="list-style-type: none"> • HPS35/MED • HPS50/MED • HPS70/MED • HPS100/MED • MHP50/MED • MHP70/MED • MHP100/MED • PLT26 • PLT32 • PLT42 • PLT57 • PLT70 | <p>BALLASTS^{3,4}</p> <ul style="list-style-type: none"> • 35HPS¹ • 50HPS • 70HPS • 100HPS • 50MHP • 70MHP • 100MHP • 26PLT • 32PLT • 42PLT • 57PLT • 70PLT • INCAND (100 watt max.) | <p>BB - BALLAST BOX</p> <ul style="list-style-type: none"> • 78BB - Medium Scale for up to 100 watt ballasts • 27BB - Hanging or Pier for up to 100 watt ballasts | <p>STANDARD FINISHES*</p> <ul style="list-style-type: none"> • BKT Black Textured • WHT White Textured • PGT Park Green Textured • ABZT Architectural Medium Bronze Textured • DBT Dark Bronze Textured <p><small>*Smooth Finishes are available upon request</small></p> <p>CUSTOM FINISHES</p> <ul style="list-style-type: none"> • OI Old Iron • RT Rust • WBR Weathered Brown • CD Cedar • WBK Weathered Black • TT Two Tone <p>STERNBERG SELECT FINISHES</p> <ul style="list-style-type: none"> • VG Verde Green • SI Swedish Iron • OWGT Old World Gray Textured |
|--|---|---|--|---|--|---|

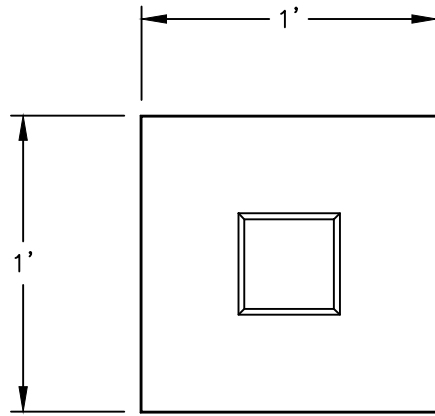
OPTIONS

- PEC1-E Photocell-Electronic 120-277 Volt
- FHS Single Fuse and Holder-120, 277 Volt
- LAMPS Select from List

NOTES:

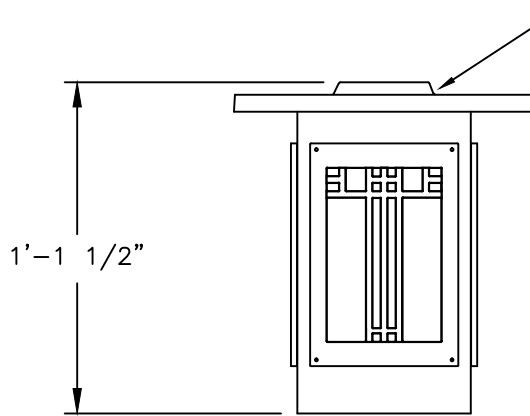
- ¹ 35HPS is 120 volt only.
- ² MED base only when used to house lamp.
- ³ Medium base sockets standard with ballasts up to 100 watts for HID. 4-pin for PL.
- ⁴ Metal halide systems are pulse start.

760 PRAIRIE RESIDENTIAL SERIES



ALL ELECTRICAL COMPONENTS ARE U.L. OR E.T.L. LISTED IN USA AND CANADA.

FIXTURE WILL BE PREWIRED AND TESTED.



CAST ALUMINUM ROOF

(3) SIDED LENS AVAILABLE IN CLEAR SEEDED ACRYLIC, CLEAR TEXTURED ACRYLIC, CLEAR ACRYLIC, WHITE ACRYLIC OR BEVELED GLASS

DECORATIVE FROSTED CHIMNEY WITH MEDIUM BASE SOCKET OR DECORATIVE FROSTED CHIMNEY WITH FLUORESCENT SOCKET OR 3-LIGHT CLUSTER

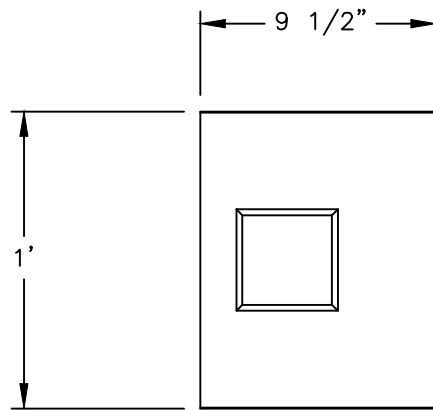
STERNBERG
SINCE 1923

760

3/16"=1'

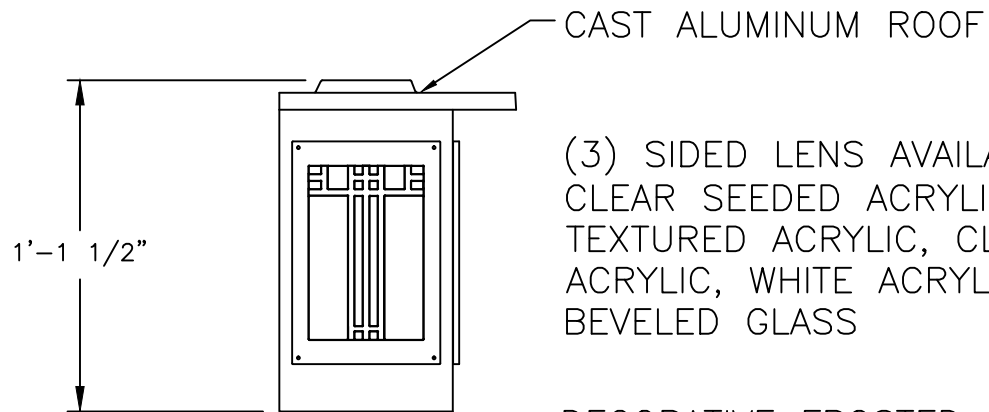
DRAWN LMG
DRAWN DATE JAN 25 2012
DRAWING NUMBER

760WB PRAIRIE RESIDENTIAL SERIES



ALL ELECTRICAL COMPONENTS ARE U.L. OR E.T.L. LISTED IN USA AND CANADA.

FIXTURE WILL BE PREWIRED AND TESTED.



(3) SIDED LENS AVAILABLE IN CLEAR SEEDED ACRYLIC, CLEAR TEXTURED ACRYLIC, CLEAR ACRYLIC, WHITE ACRYLIC OR BEVELED GLASS

DECORATIVE FROSTED CHIMNEY WITH MEDIUM BASE SOCKET OR DECORATIVE FROSTED CHIMNEY WITH FLUORESCENT SOCKET OR 3-LIGHT CLUSTER

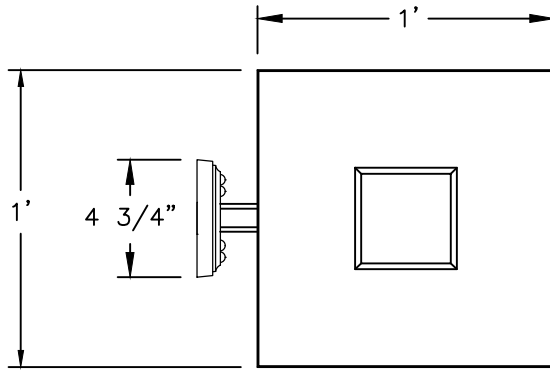
STERNBERG
SINCE 1923

760WB

3/16"=1'

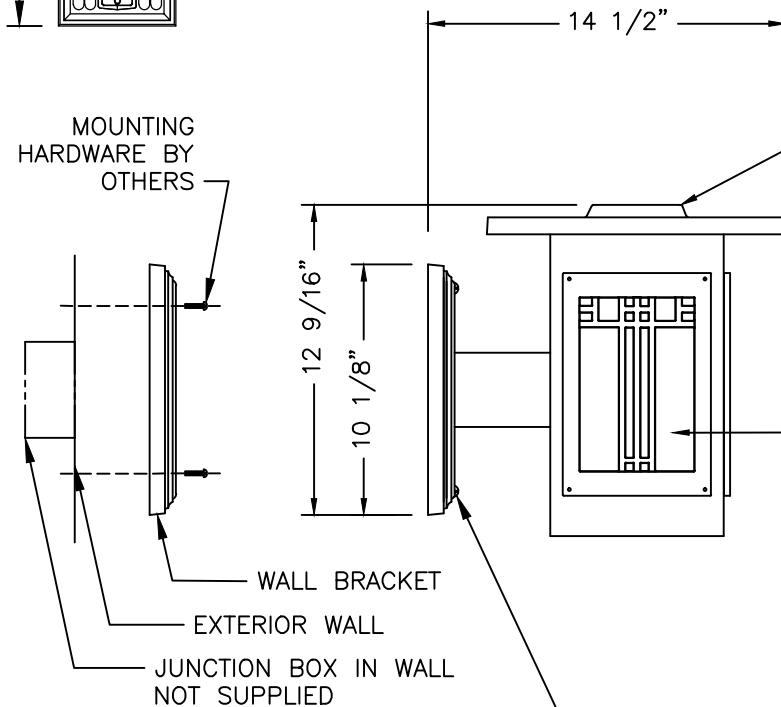
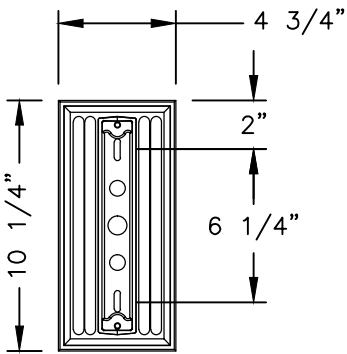
DRAWN LMG
DRAWN DATE MAR 23 2012
DRAWING NUMBER

760/77WB PRAIRIE RESIDENTIAL SERIES



ALL ELECTRICAL COMPONENTS ARE U.L. OR E.T.L. LISTED IN USA AND CANADA.

FIXTURE WILL BE PREWIRED AND TESTED.



CAST ALUMINUM ROOF

(3) SIDED LENS AVAILABLE IN CLEAR SEEDED ACRYLIC, CLEAR TEXTURED ACRYLIC, CLEAR ACRYLIC, WHITE ACRYLIC OR BEVELED GLASS

DECORATIVE FROSTED CHIMNEY WITH MEDIUM BASE SOCKET OR DECORATIVE FROSTED CHIMNEY WITH FLUORESCENT SOCKET OR 3-LIGHT CLUSTER

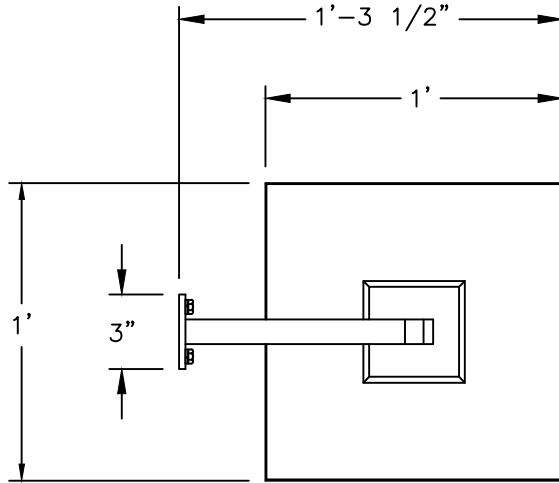
(2) 1/4-20 X 1 1/8" RHMS



760/77WB

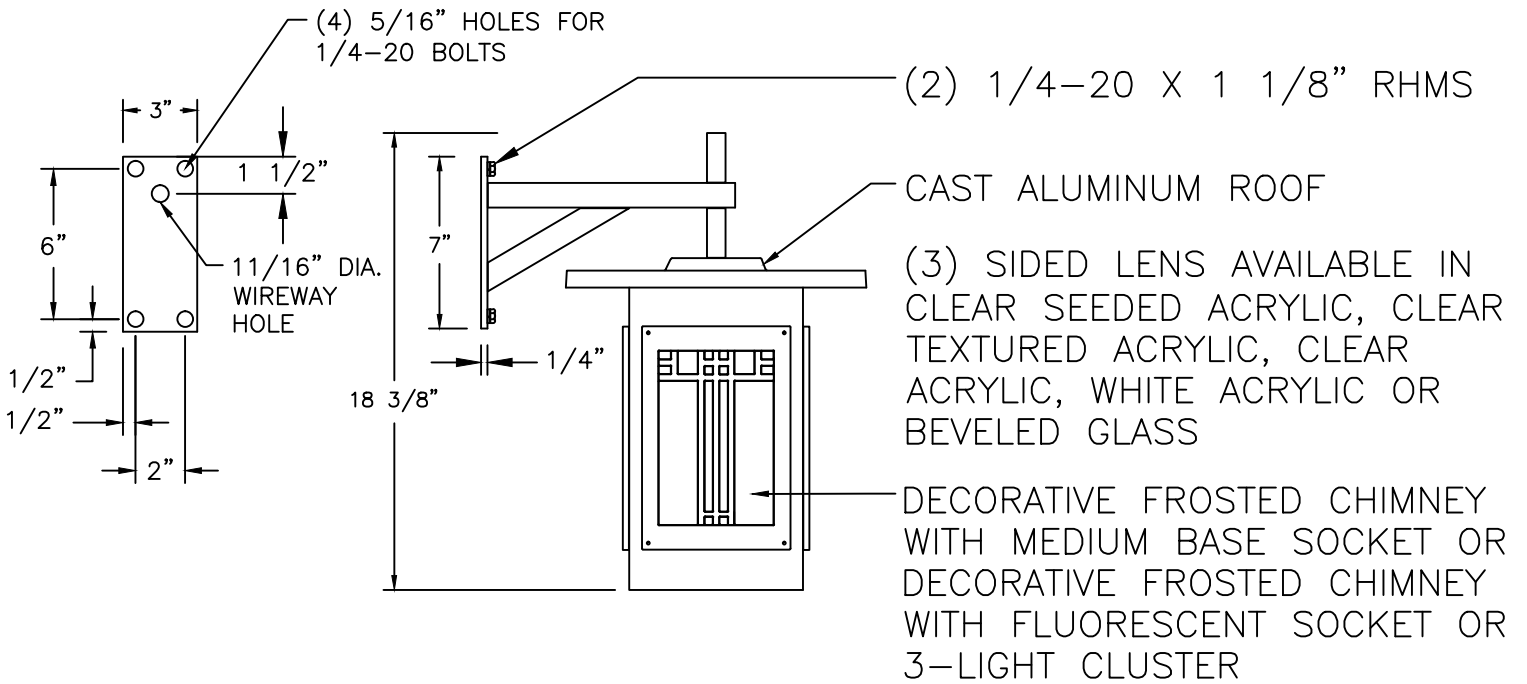
3/16"=1'	DRAWN	LMG
	DRAWN DATE	MAR 23 2012
		DRAWING NUMBER

760/HMA3 PRAIRIE RESIDENTIAL SERIES



ALL ELECTRICAL COMPONENTS ARE U.L. OR E.T.L. LISTED IN USA AND CANADA.

FIXTURE WILL BE PREWIRED AND TESTED.



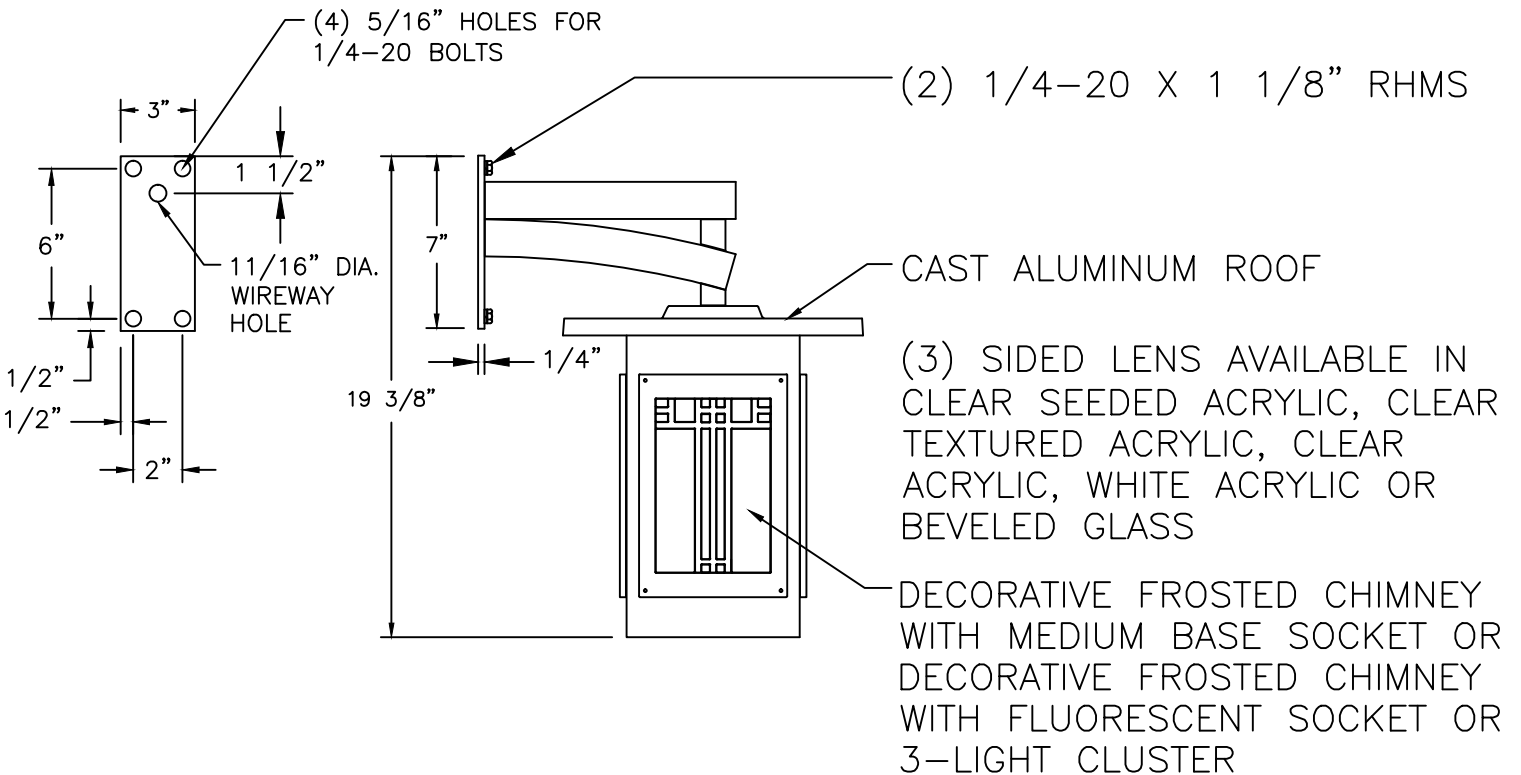
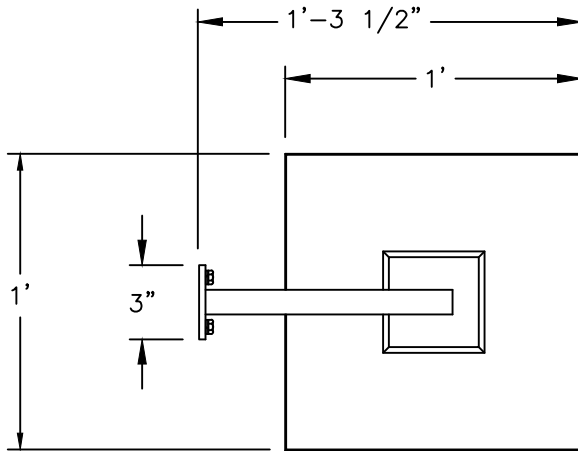
760/HMA3

3/16"=1'	DRAWN LMG
	DRAWN DATE MAR 23 2012
DRAWING NUMBER	

760/TPS3 PRAIRIE RESIDENTIAL SERIES

ALL ELECTRICAL COMPONENTS ARE U.L. OR E.T.L. LISTED IN USA AND CANADA.

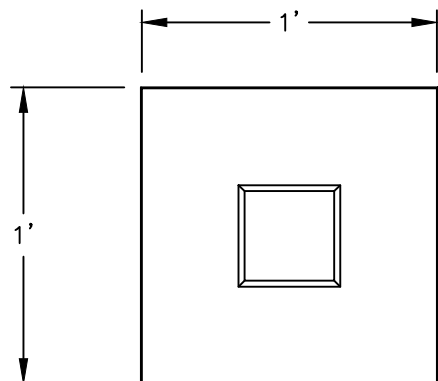
FIXTURE WILL BE PREWIRED AND TESTED.



760/TPS3

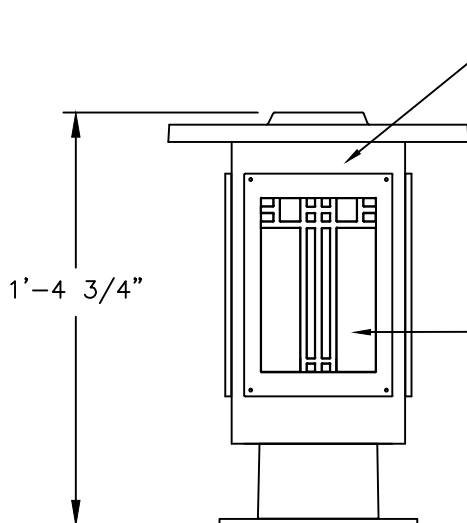
3/16"=1'	DRAWN LMG
	DRAWN DATE MAR 23 2012
DRAWING NUMBER	

760/PB PRAIRIE RESIDENTIAL SERIES



ALL ELECTRICAL COMPONENTS ARE U.L. OR E.T.L. LISTED IN USA AND CANADA.

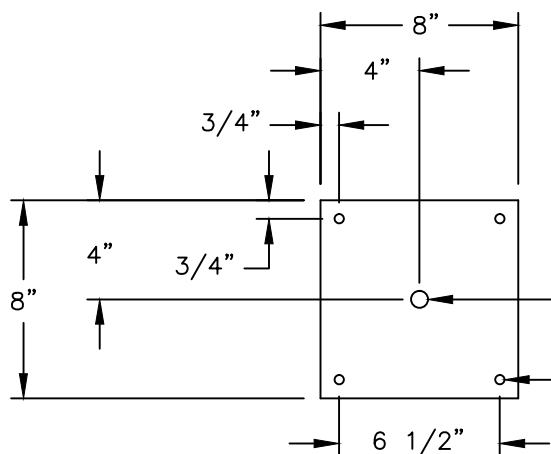
FIXTURE WILL BE PREWIRED AND TESTED.



CAST ALUMINUM ROOF

(3) SIDED LENS AVAILABLE IN CLEAR SEEDED ACRYLIC, CLEAR TEXTURED ACRYLIC, CLEAR ACRYLIC, WHITE ACRYLIC OR BEVELED GLASS

DECORATIVE FROSTED CHIMNEY WITH MEDIUM BASE SOCKET OR DECORATIVE FROSTED CHIMNEY WITH FLUORESCENT SOCKET OR 3-LIGHT CLUSTER



11/16" WIRE WAY HOLE

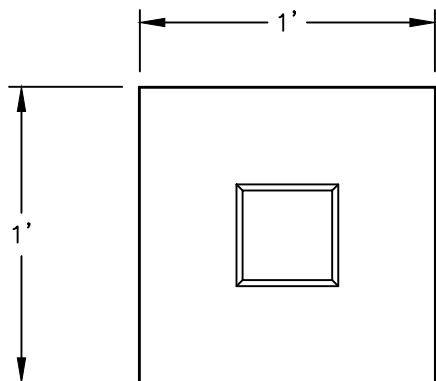
(4) 3/8" DIA. MOUNTING HOLES



760/PB

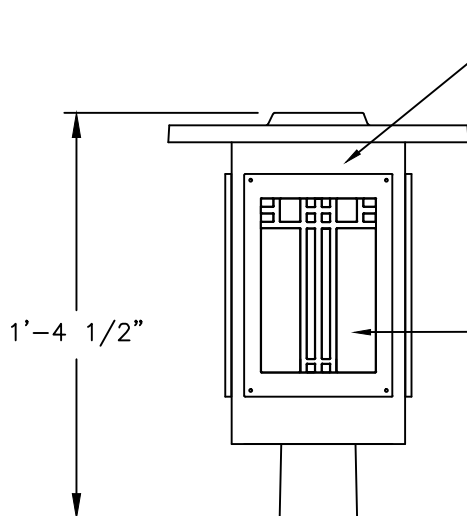
3/16"=1'	DRAWN	LMG
	DRAWN DATE	DEC 8 2011
		DRAWING NUMBER

760PT PRAIRIE RESIDENTIAL SERIES



ALL ELECTRICAL COMPONENTS ARE U.L. OR E.T.L. LISTED IN USA AND CANADA.

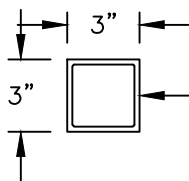
FIXTURE WILL BE PREWIRED AND TESTED.



CAST ALUMINUM ROOF

(3) SIDED LENS AVAILABLE IN CLEAR SEEDED ACRYLIC, CLEAR TEXTURED ACRYLIC, CLEAR ACRYLIC, WHITE ACRYLIC OR BEVELED GLASS

DECORATIVE FROSTED CHIMNEY WITH MEDIUM BASE SOCKET OR DECORATIVE FROSTED CHIMNEY WITH FLUORESCENT SOCKET OR 3-LIGHT CLUSTER



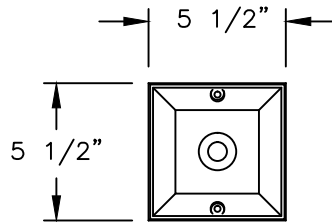
TO SLIP FIT 4" SQUARE TENON



760PT

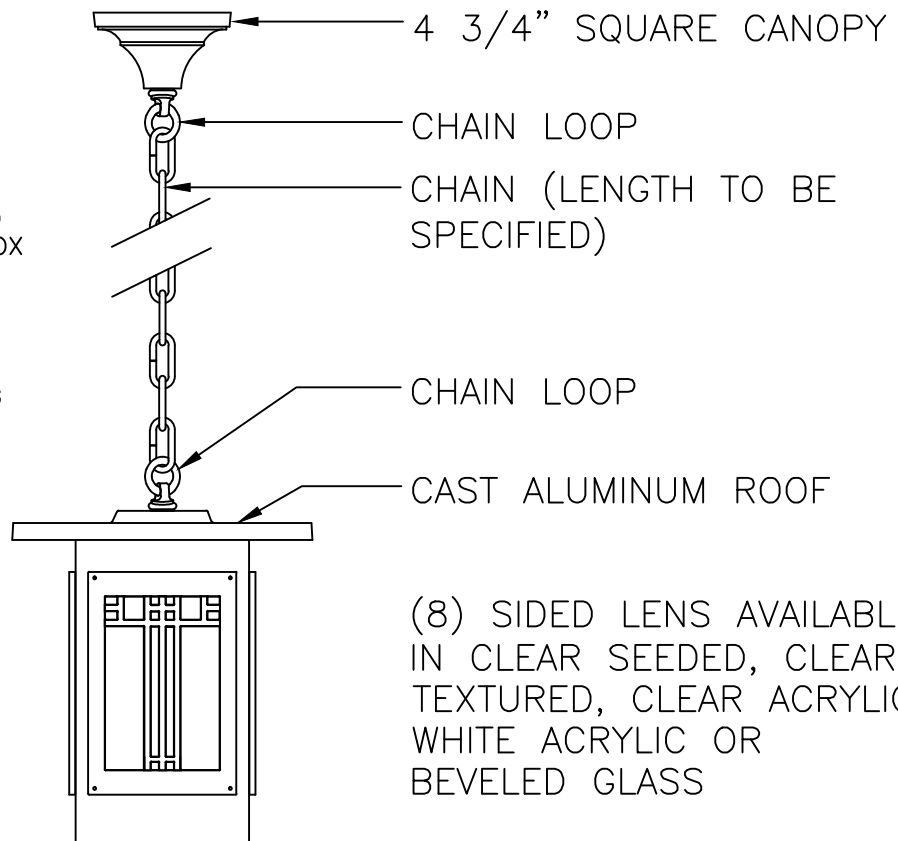
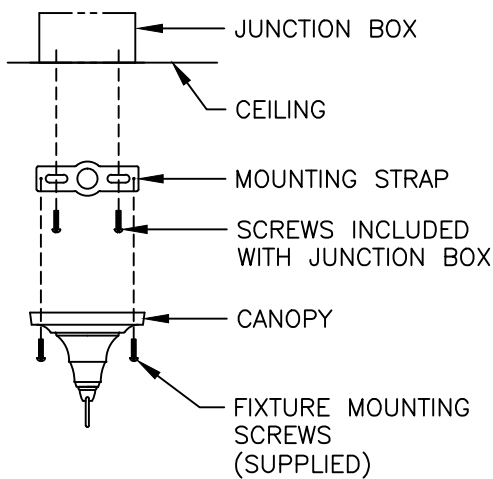
3/16"=1'	DRAWN LMG DRAWN DATE DEC 8 2011
	DRAWING NUMBER

760HCH27 PRAIRIE RESIDENTIAL SERIES



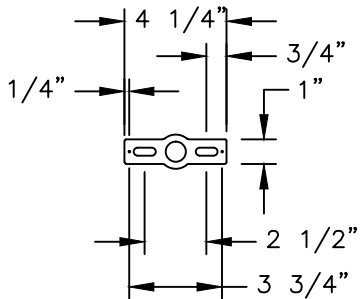
ALL ELECTRICAL COMPONENTS ARE U.L. OR E.T.L. LISTED IN USA AND CANADA.

FIXTURE WILL BE PREWIRED AND TESTED.



(8) SIDED LENS AVAILABLE IN CLEAR SEEDED, CLEAR TEXTURED, CLEAR ACRYLIC, WHITE ACRYLIC OR BEVELED GLASS

DECORATIVE FROSTED CHIMNEY WITH MEDIUM BASE SOCKET OR DECORATIVE FROSTED CHIMNEY WITH FLUORESCENT SOCKET OR 3-LIGHT CLUSTER



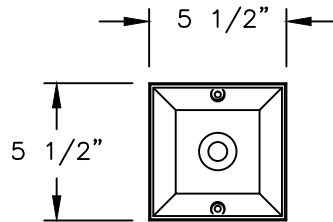
MOUNTING STRAP



760HCH27

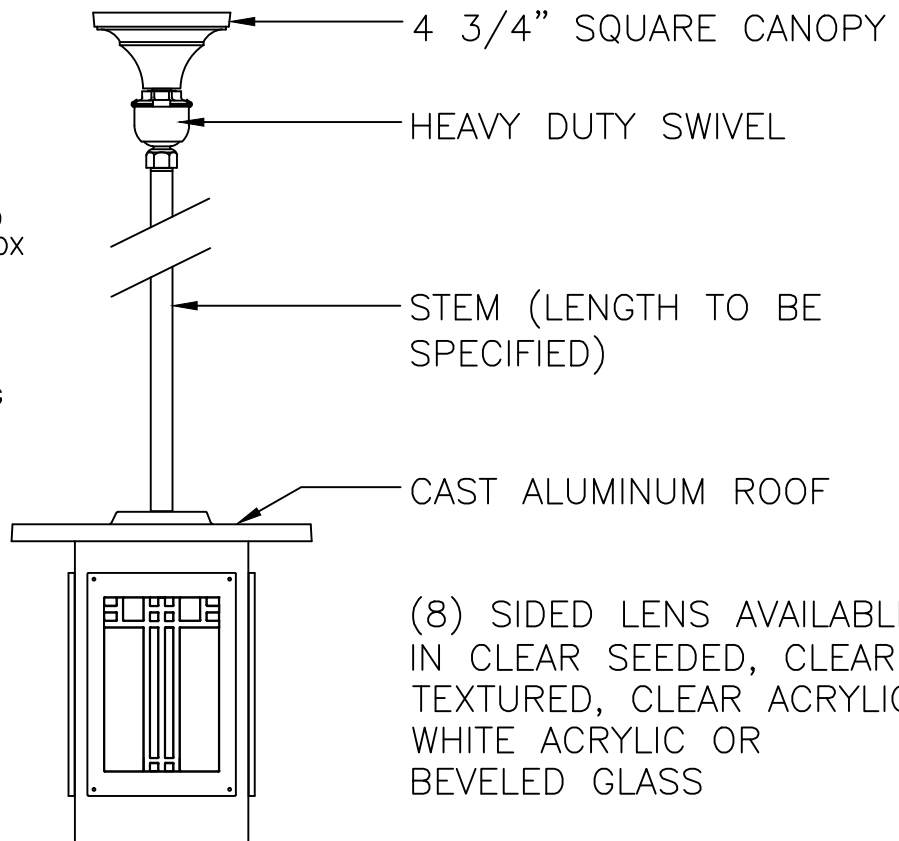
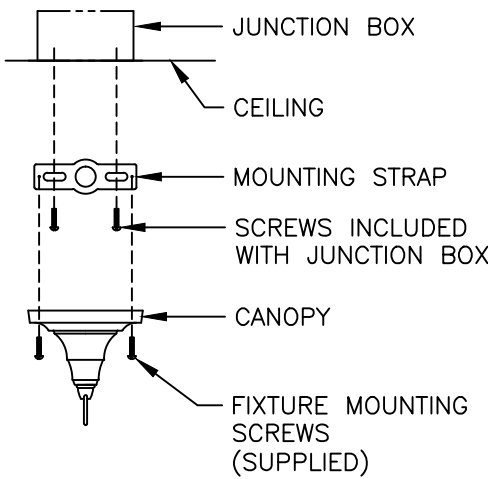
3/16"=1'	DRAWN	LMG
	DRAWN DATE	NOV 29 2011
		DRAWING NUMBER

760HSH27 PRAIRIE RESIDENTIAL SERIES



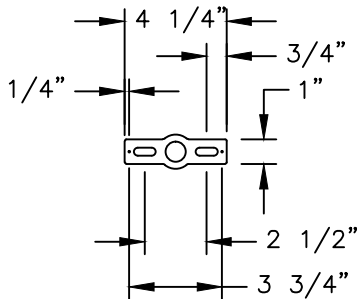
ALL ELECTRICAL COMPONENTS ARE U.L. OR E.T.L. LISTED IN USA AND CANADA.

FIXTURE WILL BE PREWIRED AND TESTED.



(8) SIDED LENS AVAILABLE IN CLEAR SEEDED, CLEAR TEXTURED, CLEAR ACRYLIC, WHITE ACRYLIC OR BEVELED GLASS

DECORATIVE FROSTED CHIMNEY WITH MEDIUM BASE SOCKET OR DECORATIVE FROSTED CHIMNEY WITH FLUORESCENT SOCKET OR 3-LIGHT CLUSTER



MOUNTING STRAP



760HSH27

3/16"=1'	DRAWN	LMG
	DRAWN DATE	NOV 29 2011
		DRAWING NUMBER