



# 1430LED ROADWAY SERIES

LED

EPA  
0.79 (ft<sup>2</sup>)  
WEIGHT  
40 LBS

7 YEAR  
WARRANTY

Lumen  
Range  
2,030 to  
8,245

Life Span  
L70  
MINIMUM  
100,000  
HOURS

UL  
LISTED

CLICK  
FOR FAQ'S

RATED  
IP65

JOB NAME \_\_\_\_\_

FIXTURE TYPE \_\_\_\_\_

MEMO \_\_\_\_\_

## BUILD A PART NUMBER

ORDERING EXAMPLE: **2A-1430LED-5P-24L40T5-MDL014-A-PEC-FHD-HSS/80PM/5216FPS/BCC/BKT**

Mounting Config.	Fixture	Fitter	LED	CCT	Type	Driver	Lens	Option Photocontrol	Option Fuse	Option House Side Shield	Arm <small>See Arm Spec Sheets</small>	Pole <small>See Pole Spec Sheets</small>	Finish

### Mounting Configuration

(Click here to link to mounting configuration specification page)

- 1W      • 2A      • 3A90      • 1AM
- PT     • 2A90     • 3APT     • 2AM
- 1A     • 2APT     • 4A       • 450PB
- 1APT   • 3A       • 4APT

W = Wall Mount PT = Post Top A = Arm Mount AM = Arm Mid-Mount PB = Pier Base

### Fixture

- 1430LED

### Fitter

- 5P    • BD4    • BD5    • BD7

### LED

- 24L    • 16L    • 12L

### CCT - Color Temperature (K)

- 27(00)    • 30(00)    • 35(00)
- 40(00)    • 50(00)

### Type

- T2    • T3    • T4    • T5

### Driver

- MDL018<sup>1</sup> (120V-277V, 180mA)
- MDH018<sup>1</sup> (347V-480V, 180mA)
- MDL014 (120V-277V, 140mA)
- MDH014 (347V-480V, 140mA)
- MDL008<sup>2</sup> (120V-277V, 80mA)
- MDH008<sup>2</sup> (347V-480V, 80mA)

<sup>1</sup>24L system only.  
<sup>2</sup>12L system only.

### Lens

- A (Acrylic)    • P (Polycarbonate)

### Options (Click here to view accessories sheet)

- PEC Electronic Button Photocontrol(120v-277v)
- PEC4 Electronic Button Photocontrol (480v)
- FHD<sup>3</sup> Double Fuse and Holder
- HSS 120° House Side Shield
- BLOC Back Light Optical Control

<sup>3</sup>Ships loose for installation in base.

### Arm (Click here to link to arm specification page)

See Arms & Wall Brackets specification sheets.

- 50      • 80      • 6236      • TASC
- 478    • 480    • 579      • BA
- 70      • 55      • TA

### Pole (Click here to link to pole specification page)

See Pole specification sheets.

### Finish (Click here to view paint finish sheet)

#### Standard Finishes<sup>4</sup>

- BKT Black Textured
- WHT White Textured
- PGT Park Green Textured
- ABZT Architectural Medium Bronze Textured
- DBT Dark Bronze Textured

<sup>4</sup>Smooth finishes are available upon request.

#### Custom Finishes<sup>5</sup>

- CM Custom Match
- OI Old Iron
- RT Rust
- WBR Weathered Brown
- CD Cedar
- WBK Weathered Black
- TT Two Tone

<sup>5</sup>Custom colors require upcharge.

#### Sternberg Select Finishes

- VG Verde Green
- SI Swedish Iron
- OWGT Old World Gray Textured

## Specifications

### Fixture

The luminaire shall feature a fully cast aluminum decorative cage surrounding the acorn. The luminaire shall be appointed with a cast aluminum decorative ball finial. The cage shall consist of a decorative ring with 4 slender "Y" shaped supports. The 1430LED luminaire shall be 18" diameter and 25" overall height. The acorn shall be supplied with a cast aluminum roof which includes optimized heat sinks to provide maximum life and performance for the LED light sources. The acorn shall be sealed to

the cast aluminum roof to provide a moisture-free and bug-free optics chamber for the LED light sources. The Luminaire shall be UL tested in US and Canada.

### Fitter - Standard

The fitter shall be heavy wall cast aluminum, 356 alloy for high tensile strength. It shall have an 8-1/2" inside diameter opening to attach to the 8" neck of the acorn globe. The fitter shall have a one-piece ring bug gasket to resist insect penetration into lamp assembly.

### LED's

The luminaire shall use high output, high brightness LED's. They shall be mounted in arrays, on printed circuit boards designed to maximize heat transfer to the heat sink surface. The arrays shall be roof mounted to minimize up-light. The LED's and printed circuit boards shall be 100% recyclable; they shall also be protected from moisture and corrosion by a conformal coating of 1 to 3 mils. They shall not contain lead, mercury or any other hazardous substances and shall be RoHS compliant. The LED life rating data shall be determined in accordance with IESNA LM-80. The High Performance white LED's will have a life expectancy of approximately 100,000 hours with not less than 70% of original brightness (lumen maintenance), rated at 25°C. The High Brightness, High Output LED's shall be 5000K (4500K, 3000K, 3500K or 2700K option) color temperature with a minimum CRI of 70. Consult factory for custom color CCT. The luminaire shall have a minimum \_\_\_\_\_ (see table) delivered initial lumen rating when operated at steady state with an average ambient temperature of 25°C (77°F).

### Optics

The luminaire shall be provided with individual, refractor type optics applied to each LED. The luminaire shall provide Type \_\_\_\_ (2, 3, 4 or 5) light distribution per the IESNA classifications. Testing shall be done in accordance with IESNA LM-79.

See next page

# 1430LED ROADWAY SERIES

LED

**BLOC Optic:** An optional "Back Light Optical Control" shield can be provided at the factory. This is an internal optic level "House Side Shield" offering significantly reduced backlight and glare while maintaining the original design aesthetics of the luminaire.

## Electronic Drivers

The LED driver shall be U.L. Recognized. It shall be securely mounted inside the fixture, for optimized performance and longevity. It shall be supplied with a quick-disconnect electrical connector on the power supply, providing easy power connections and fixture installation. It shall have overload as well as short circuit protection, and have a DC voltage output, constant current design, 50/60HZ. It shall be supplied with line-ground, line-neutral and neutral-ground electrical surge protection in accordance with IEEE/ANSI C62.41.2 guidelines. It shall be dimmable using a 0-10v signal.

**For sources over 50w:** The driver shall have a minimum efficiency of 90%. The driver shall be rated at full load with THD<20% and a power factor of greater than 0.90. The driver shall contain over-heat protection.

**For sources under 50w:** The driver shall have a minimum efficiency of 88%.

## Lens

Materials include DR Acrylic or Polycarbonate. An injection molding process adds textured surface for glare mitigation, even wall thickness and impact resistance.

## Photocontrols

**Button Style:** On a single assembly the photocontrol shall be mounted on the fixture and pre-wired to driver. On multiple head assembly's the photocontrol shall be mounted in the pole shaft on an access plate. The electronic

button type photocontrol is instant on with a 5-10 second turn off, and shall turn on at 1.5 footcandles with a turn-off at 2-3 footcandles. Photocontrol is 120-277 volt and warranted for 6 years.

## Warranty

Seven-year limited warranty. See product and finish warranty guide for details.

## Finish

Refer to website for details.

## Performance

LIGHT SOURCE	T2 DELIVERED LUMENS	EFFICACY (LPW)	T3 DELIVERED LUMENS	EFFICACY (LPW)	T4 DELIVERED LUMENS	EFFICACY (LPW)	T5 DELIVERED LUMENS	EFFICACY (LPW)	WATTAGE
24L40T_-MDL018	9405	81.1	9570	82.5	9730	83.9	10095	87.0	116
24L30T_-MDL018	8965	77.3	9125	78.7	9275	80.0	9625	83.0	116
24L27T_-MDL018	8110	69.9	8250	71.1	8390	72.3	8705	75.0	116
24L40T_-MDL014	7660	88.0	7825	89.9	7955	91.4	8245	94.8	87
24L30T_-MDL014	7305	84.0	7460	85.7	7585	87.2	7860	90.3	87
24L27T_-MDL014	6605	75.9	6745	77.5	6860	78.9	7110	81.7	87
16L40T_-MDL014	5160	87.5	5265	89.2	5345	90.6	5530	93.7	59
16L30T_-MDL014	4920	83.4	5020	85.1	5095	86.4	5275	89.4	59
16L27T_-MDL014	4450	75.4	4540	76.9	4610	78.1	4765	80.8	59
12L40T_-MDL014	3815	82.9	3950	85.9	4100	89.1	4210	91.5	46
12L30T_-MDL014	3635	79.0	3765	81.8	3910	85.0	4015	87.3	46
12L27T_-MDL014	3290	71.5	3405	74.0	3535	76.8	3630	78.9	46
12L40T_-MDL008	2355	87.2	2430	90.0	2525	93.5	2600	96.3	27
12L30T_-MDL008	2245	83.1	2315	85.7	2405	89.1	2480	91.9	27
12L27T_-MDL008	2030	75.2	2095	77.6	2175	80.6	2240	83.0	27



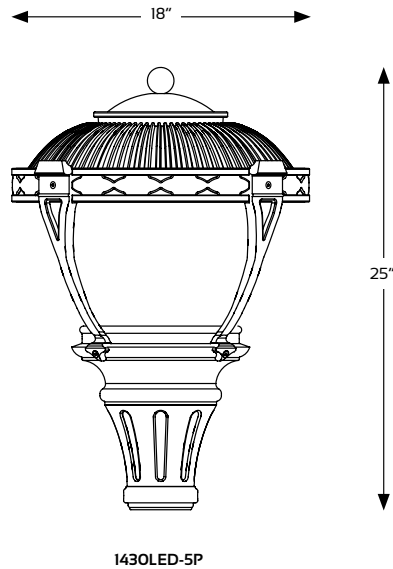
**SternbergLighting**

ESTABLISHED 1923

800-621-3376  
555 Lawrence Ave., Roselle, IL 60172  
contactus@sternberglighting.com  
www.sternberglighting.com

7/21 STERNBERG LIGHTING. ALL RIGHTS RESERVED. PRINTED IN THE USA.

## Fixtures



## Fitters

10-1/8" W  
10-3/8" H



**5P**  
Fits 3" OD  
x 3" tall  
tenon/pole

10-1/8" W  
10-1/8" H



**BD4**  
Fits 4" OD  
x 5" tall  
tenon/pole

10-1/8" W  
10-1/4" H



**BD5**  
Fits 5" OD  
x 6" tall  
tenon/pole

10-1/8" W  
11-3/4" H



**BD7**  
Fits 7" OD  
x 1" tall  
tenon/pole



# SternbergLighting

ESTABLISHED 1923

800-621-3376  
555 Lawrence Ave., Roselle, IL 60172  
contactus@sternberglighting.com  
www.sternberglighting.com