



8930LED CLASSIC SERIES

LED

EPA
1.72 (ft²)
WEIGHT
24 LBS

7 YEAR
WARRANTY

LUMEN
RANGE
1,420 to
5,940

LIFE SPAN
L70
MINIMUM
50,000
HOURS

UL
LISTED

CLICK
FOR FAQ's

JOB NAME _____

FIXTURE TYPE _____

MEMO _____

BUILD A PART NUMBER

ORDERING EXAMPLE: **2A-8930LED-SF-1L40T5-MDLO7-CSA/478PM/3412FP5/TFCC/BKT**

Mounting Config.	Fixture	Fitter	LED	CCT	Type	Driver	Lens	Option Control Receptacle	Option Control	Option Fuse	Option Dome Lens	Option Hang-straight	Option House Side Shield	Option Chimney	Arm See Arm Spec Sheets	Pole See Pole Spec Sheets	Finish

Mounting Configuration

(Click here to link to mounting configuration specification page)

- IW • 2APT • 4APT • CAT
- PT • 3A • 1AM
- 1A • 3A90 • 2AM
- 1APT • 3A120 • 28PB¹
- 2A • 3APT • CH44²
- 2A90 • 4A • SH44²

W = Wall Mount PT = Post Top A = Arm Mount AM = Arm Mid-Mount PB = Pier Base CH = Chain Hung SH = Stem Hung CAT = Catenary

¹Use "SF" fitter only.

²Include Stem/Chain length in inches after designation (IE:CH44-36").

Fixture

- 8930LED • 8930LEDH • 8930LEDAH

(H) - Hanging style fixture
(AH) - Arm hanging style fixture

Fitter

- SF (Standard Fitter, Remote Driver)
- BB (Ballast Box Fitter, Integral Driver)

LED

- 1L

CCT

- 27(00) • 30(00) • 35(00) • 40(00) • 50(00)

Type

- T2 • T3 • T4 • T5

Driver

- MDL11 (120V-277V, 1100mA)
- MDH11 (347V-480V, 1100mA)
- MDLO7 (120V-277V, 700mA)
- MDH07 (347V-480V, 700mA)
- MDLO5 (120V-277V, 500mA)
- MDH05 (347V-480V, 500mA)
- MDLO3 (120V-277V, 300mA)
- MDH03 (347V-480V, 300mA)

Lens (Click here to link to lens option specification page)

- CSA (Clear Seeded Acrylic)
- CTA (Clear Textured Acrylic)
- PA (Prismatic Acrylic)
- SVI (Flat Soft Vue Light Diffused Acrylic)

- SV2 (Flat Soft Vue Moderate Diffused Acrylic)
- SV4 (Flat Soft Vue Maximum Diffused Acrylic)

Options (Click here to link to view accessories sheet)

- R7³ 7-Pin control receptacle only
- PE⁴ Twist-Lock Photocontrol (120V-277V)
- PE4⁴ Twist-Lock Photocontrol (347V-480V)
- SC⁴ Shorting Cap
- PEC⁵ Electronic Button Photocontrol (120V-277V)
- PEC4⁵ Electronic Button Photocontrol (480V)
- FHD⁶ Double Fuse and Holder
- SVID Soft Vue Light Diffuse, Internal Dome Lens
- SV2D Soft Vue Medium Diffuse, Internal Dome Lens
- HSH⁷ Standard horizontal hangstraight, spike finial
- HSHN⁷ Standard horizontal hangstraight, no finial
- HSHB⁷ Standard horizontal hangstraight, ball finial
- EZ⁷ Vertical hangstraight, large, "EZ" mount
- HSS 120° House Side Shield
- FHC Frosted Hurricane Chimney

³Mounted on "HSHL" hangstraight or pole only.

⁴Requires control receptacle.

⁵Requires "BB" fitter for use with "PT" mount.

⁶Ships loose for installation in base.

⁷For use with "9403H" fixture only.

Arm (Click here to link to arm specification page)

See Arms & Wall Brackets specification sheets.

- 78 • 50 • 480 • 121 • 579 • TASC
- 478 • 80 • 55 • 6236 • TA

Pole (Click here to link to pole specification page)

See Pole specification sheets.

Finish (Click here to view paint finish sheet)

Standard Finishes⁸

- BKT Black Textured
- WHT White Textured
- PGT Park Green Textured
- ABZT Architectural Medium Bronze Textured
- DBT Dark Bronze Textured

⁸Smooth finishes are available upon request

Custom Finishes⁹

- OI Old Iron
- RT Rust
- WBR Weathered Brown

- CD Cedar
- WBK Weathered Black
- TT Two Tone

⁹Custom colors require upcharge.

Sternberg Select Finishes

- VG Verde Green
- SI Swedish Iron
- OWGT Old World Gray Textured

Specifications

Fixture

The 8930 Classic series is a historical eight sided fixture. It consists of a decorative cast eight sided sloped roof with four detailed roof sconces and a unique one-piece cast cage with acrylic lens. The roof shall be appointed with a decorative cast 6" diameter tall finial.

Post Fitter

The fitter or base shall be heavy wall cast aluminum 356 alloy for high tensile strength. It shall have an inside diameter opening to fit a 3" diameter pole or tenon. When ordered with a Sternberg pole, the fitter shall be set screwed to the pole top or tenon.

LED's

The luminaire shall use high output, high brightness LED, consisting of a two piece assembly complete with Chip on Board (COB) LED component and COB holder frame. The LED and printed circuit boards shall be 100% recyclable; they shall also be protected from moisture and corrosion by a conformal coating of 1 to 3 mils. They shall not contain lead, mercury or any other hazardous substances and shall be RoHS compliant. The LED life rating data shall be determined in accordance with IESNA LM-80. The High Performance white LED will have a life expectancy of approximately 100,000 hours with not less than 70% of original brightness (lumen maintenance), rated at 25°C. The High Brightness, High Output LED's shall be 4000K (2700K, 3000K, 3500K or 5000K option) color temperature with a minimum of 70 CRI. Consult factory for custom color CCT. The luminaire shall have a minimum _____ (see table) delivered initial lumen rating when operated at

See next page

8930LED CLASSIC SERIES

LED

steady state with an average ambient temperature of 25°C (77°F).

Optics

The luminaire shall be provided with an individual, refractor type optics applied to the LED. The luminaire shall provide Type ____ (2, 3, 4 or 5) light distribution per the IESNA classifications. Testing shall be done in accordance with IESNA LM-79.

Electronic Driver

The LED driver shall be U.L. Recognized. It shall be remotely mounted in the field, arm, pole or base depending on the selected options. It shall be supplied with a quick-disconnect electrical connector on the power supply, providing easy power connections and fixture installation. It shall have overload as well as short circuit protection, and have a DC voltage

output, constant current design, 50/60HZ. It shall be supplied with line-ground, line-neutral and neutral-ground electrical surge protection in accordance with IEEE/ANSI C62.41.2 guidelines. It shall be dimmable using a 0-10v signal.

For sources over 25w: The driver shall have a minimum efficiency of 90%. The driver shall be rated at full load with THD<20% and a power factor of greater than 0.90. The driver shall contain over-heat protection.

For sources under 25w: The driver shall have a minimum efficiency of 88%.

Photocontrols

Button Style: On a single BB assembly the photocontrol shall be mounted on the fixture and pre-wired to driver. On multiple head assembly's (or non-BB options) the photocontrol shall be mounted in the pole shaft on an access plate. The electronic button type photocontrol

is instant on with a 5-10 second turn off, and shall turn on at 1.5 footcandles with a turn-off at 2-3 footcandles. Photocontrol is 120-277 volt and warranted for 6 years.

Twist-Lock Style: The photocontrol shall be mounted on the hang-straight and pre-wired to driver. The twist lock type photocontrol is instant on with a 3-6 second turn off, and shall turn on at 1.5 footcandles with a turn-off at 2-3 footcandles. Photocontrol is 120-277 volt and warranted for 6 years.

Warranty

Seven-year limited warranty. See product and finish warranty guide for details.

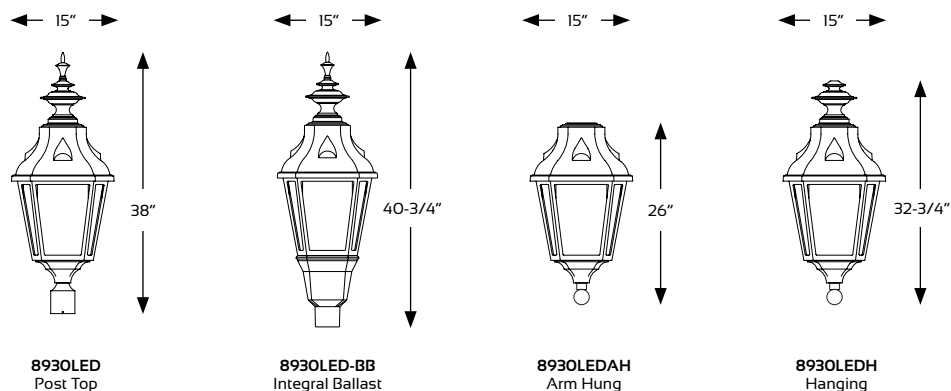
Finish

Refer to website for details.

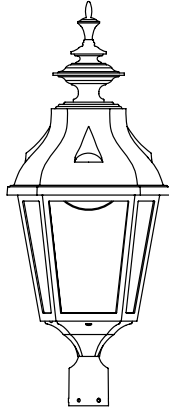
Performance

MODEL #	T2 DELIVERED LUMENS	EFFICACY (LPW)	T3 DELIVERED LUMENS	EFFICACY (LPW)	T4 DELIVERED LUMENS	EFFICACY (LPW)	T5 DELIVERED LUMENS	EFFICACY (LPW)	WATTAGE
1L40T_-MDL11	5445	87.8	5405	87.2	5535	89.3	5940	95.8	62
1L30T_-MDL11	5305	85.6	5265	84.9	5395	87.0	5790	93.4	62
1L27T_-MDL11	4820	77.7	4785	77.2	4900	79.0	5260	84.8	62
1L40T_-MDL07	3615	90.4	3600	90.0	3685	92.1	3940	98.5	40
1L30T_-MDL07	3525	88.1	3510	87.8	3590	89.8	3840	96.0	40
1L27T_-MDL07	3200	80.0	3185	79.6	3265	81.6	3490	87.3	40
1L40T_-MDL05	2650	91.4	2625	90.5	2695	92.9	2860	98.6	29
1L30T_-MDL05	2580	89.0	2560	88.3	2625	90.5	2785	96.0	29
1L27T_-MDL05	2345	80.9	2325	80.2	2385	82.2	2530	87.2	29
1L40T_-MDL03	1605	84.5	1595	83.9	1635	86.1	1745	91.8	19
1L30T_-MDL03	1565	82.4	1555	81.8	1595	83.9	1700	89.5	19
1L27T_-MDL03	1420	74.7	1410	74.2	1450	76.3	1545	81.3	19

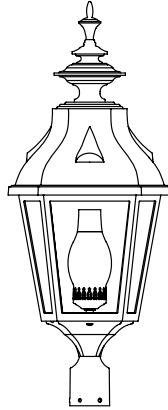
Fixtures



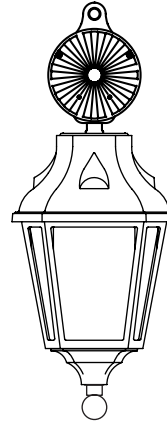
Options



SV_D
Internal Domes
Lens



FHC
Frosted Hurricane
Chimney



CAT
Catenary



SternbergLighting

ESTABLISHED 1923 / EMPLOYEE OWNED

800-621-3376
555 Lawrence Ave., Roselle, IL 60172
info@sternberglighting.com
www.sternberglighting.com

8/20 STERNBERG LIGHTING. ALL RIGHTS RESERVED. PRINTED IN THE USA.