



# 1190A/B-VCOB PLAZA SERIES

LED

EPA  
1.15 (ft<sup>2</sup>)  
WEIGHT  
30 LBS

7 YEAR  
WARRANTY

LUMEN  
RANGE  
3,225 to  
6,515

LIFE SPAN  
L70  
MINIMUM  
100,000  
HOURS

UL  
LISTED

CLICK  
FOR FAQ'S

JOB NAME \_\_\_\_\_

FIXTURE TYPE \_\_\_\_\_

MEMO \_\_\_\_\_

## BUILD A PART NUMBER

ORDERING EXAMPLE: **PT-1190A-5P-VCOB-4L40TS-MDLO3-A-PEC-FHD/4212FP4-188/BKT**

Mounting Config.	Fixture	Fitter	LED	CCT	Type	Driver	Lens	Option Control	Option Fuse	Option House Side Shield	Arm <small>See Arm Spec Sheets</small>	Pole <small>See Pole Spec Sheets</small>	Finish

### Mounting Configuration

[\(Click here to link to mounting configuration specification page\)](#)

- 1W      • 2A      • 3A90      • 1AM
- PT      • 2A90      • 3APT      • 2AM
- 1A      • 2APT      • 4A      • 450PB
- 1APT      • 3A      • 4APT

W = Wall Mount   PT = Post Top   A = Arm Mount   AM = Arm Mid-Mount   PB = Pier Base

### Fixture

- 1190A      • 1190B

### Fitter

- 5P      • BD5      • OL3      • C2097<sup>1</sup>
- BD4      • BD7      • OL4

<sup>1</sup> Consult factory for use on concrete poles.

### LED

- VCOB-4L

### CCT - Color Temperature (K)

- 27(00)   • 30(00)   • 35(00)   • 40(00)   • 50(00)

### Type

- TS (Symmetric)      • TA (Asymmetric)

### Driver

- MDLO2 (120V-277V, 250mA)
- MDLO3 (120V-277V, 350mA)
- MDLO5 (120V-277V, 500mA)
- MDHO2 (347V-480V, 250mA)
- MDHO3 (347V-480V, 350mA)
- MDHO5 (347V-480V, 500mA)

### Lens

- A (Textured Acrylic)
- P (Textured Poly)
- WA (White Textured Acrylic)
- WP (White Textured Poly)

### Options [\(Click here to view accessories sheet\)](#)

- PEC Electronic Button Photocontrol (120v-277v)
- PEC4 Electronic Button Photocontrol (480v)
- FHD<sup>2</sup> Double Fuse and Holder
- HSS<sup>3</sup> 120° House Side Shield

<sup>2</sup> Ships loose for installation in base.

<sup>3</sup> For use with "TA" distribution type only.

### Arm [\(Click here to link to arm specification page\)](#)

See Arms & Wall Brackets specification sheets.

- 50   • 70   • 480   • 6236   • TA   • BA
- 478   • 80   • 55   • 579   • TASCRC   • 779

### Pole [\(Click here to link to pole specification page\)](#)

See Pole specification sheets.

### Finish [\(Click here to view paint finish sheet\)](#)

#### Standard Finishes<sup>4</sup>

- BKT Black Textured
- WHT White Textured
- PGT Park Green Textured
- ABZT Architectural Medium Bronze Textured
- DBT Dark Bronze Textured

<sup>4</sup> Smooth finishes are available upon request

#### Custom Finishes<sup>5</sup>

- OI Old Iron
- RT Rust
- WBR Weathered Brown
- CD Cedar
- WBK Weathered Black
- TT Two Tone

<sup>5</sup> Custom colors require upcharge.

#### Sternberg Select Finishes

- VG Verde Green
- SI Swedish Iron
- OWGT Old World Gray Textured

## Specifications

### Fixture

The 1190A fixture shall be 18" in diameter and 38" tall. The 1190B fixture shall be 18" in diameter and 44-3/4" tall. The acorn globe shall be made of vandal resistant clear textured polycarbonate or dent resistant (DR) clear textured acrylic. White textured is also available. The cage shall be made of cast aluminum, 356 alloy for high tensile strength. The luminaire shall be U.L. listed in U.S. and Canada.

### Fitter - Standard

The fitter shall be heavy wall cast aluminum, 356 alloy for high tensile strength. It shall have an 8-1/2" inside diameter opening to attach to the 8" neck of the acorn globe. When ordered with a Sternberg aluminum pole, the fitter shall be welded to the pole top or tenon for safety and to ensure the fixture will be plumb, secure and level over the life of the installation. The fitter shall have a one-piece ring bug gasket to resist insect penetration into lamp assembly.

### LED's

The luminaire shall use high output, high brightness LED's, consisting of a two piece assembly complete with Chip on Board (COB) LED component and COB holder frame mounted to vertical heat sinks. The LED's and printed circuit boards shall be 100% recyclable; they shall also be protected from moisture and corrosion by a conformal coating. They shall not contain lead, mercury or any other hazardous substances and shall be RoHS compliant. The LED life rating data shall be determined in accordance with IESNA LM-80. The High Performance white LED's will have a life expectancy of approximately 100,000 hours with not less than 70% of original brightness (lumen maintenance), rated at 25°C. The High Brightness, High Output LED's shall be 4000K (2700K, 3000K, 3500K or 5000K option) color temperature with a minimum CRI of 70. Consult factory for custom color CCT. The luminaire shall have a minimum \_\_\_\_\_ (see table) delivered initial lumen rating when operated at steady state with an average ambient temperature of 25°C (77°F).

### Optics

The luminaire shall be provided with individual, molded silicone refractor type optics applied to each COB (Chip On Board) LED assembly. The optic shall be at least 92% efficient while providing superior thermal, UV and impact resistance for the COB assembly. The optic helps efficiently shape and distribute the light while minimizing up-light. The luminaire shall provide Symmetric and Asymmetric light

*See next page*

# 1190A/B-VCOB PLAZA SERIES

LED

distribution. Testing shall be done in accordance with IESNA LM-79.

## Electronic Drivers

The LED driver shall be U.L. Recognized. It shall be securely mounted inside the fixture, for optimized performance and longevity. It shall be supplied with a quick-disconnect electrical connector on the power supply, providing easy power connections and fixture installation. It shall have overload, overheat and short circuit protection, and have a DC voltage output, constant current design, 50/60HZ. It shall be supplied with line-ground, line-neutral and neutral-ground electrical surge protection in accordance with IEEE/ANSI C62.41.2 guidelines. It shall be a high efficiency driver with a THD less

than 20% and a high power factor greater than .9. It shall be dimming capable using a 0-10v signal, consult factory for more information.

## Lens

Materials include DR Acrylic or Polycarbonate. An injection molding process adds textured surface for glare mitigation, even wall thickness and impact resistance.

## Photocontrols

**Button Style:** The photocontrol shall be mounted on the fixture and pre-wired to driver. The electronic button type photocontrol is instant on with a 5-10 second turn off, and shall turn on at 1.5 footcandles with a turn-off at 2-3 footcandles. Photocontrol is 120-277 volt and

warranted for 6 years. See pole spec sheet for pole mounted version.

## Warranty

Seven-year limited warranty. See product and finish warranty guide for details.

## Finish

Refer to website for details.

## Performance

LIGHT SOURCE	TS LUMENS	EFFICACY (LPW)	TA LUMENS	EFFICACY (LPW)	WATTAGE
4L40T_-MDL05	6515	86.9	6270	83.6	75
4L30T_-MDL05	6310	84.1	6075	81.0	75
4L27T_-MDL05	5735	76.5	5520	73.6	75
4L40T_-MDL03	5115	91.3	4940	88.2	56
4L30T_-MDL03	4955	88.5	4785	85.4	56
4L27T_-MDL03	4505	80.4	4350	77.7	56
4L40T_-MDL02	3780	94.5	3660	91.5	40
4L30T_-MDL02	3660	91.5	3545	88.6	40
4L27T_-MDL02	3330	83.3	3225	80.6	40



**SternbergLighting**

ESTABLISHED 1923 / EMPLOYEE OWNED

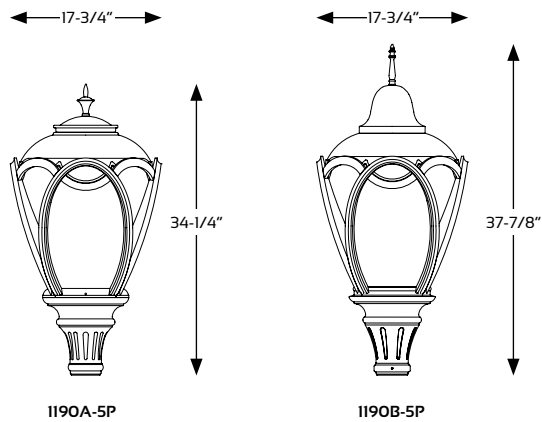
800-621-3376  
555 Lawrence Ave., Roselle, IL 60172  
info@sternberglighting.com  
www.sternberglighting.com

8/20 STERNBERG LIGHTING. ALL RIGHTS RESERVED. PRINTED IN THE USA.

# 1190A/B-VCOB PLAZA SERIES

LED

## Fixtures



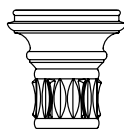
## Fitters

10-1/8" W  
10-3/8" H



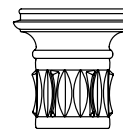
**5P**  
Fits 3" OD  
x 3" tall  
tenon/pole

10-1/8" W  
10-1/8" H



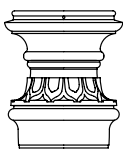
**BD4**  
Fits 4" OD  
x 5" tall  
tenon/pole

10-1/8" W  
10-1/4" H



**BD5**  
Fits 5" OD  
x 6" tall  
tenon/pole

10-1/8" W  
11-3/4" H



**BD7**  
Fits 7" OD  
x 1" tall  
tenon/pole

10-1/2" W  
11-3/8" H



**OL3**  
Fits 3" OD  
x 3" tall  
tenon/pole  
**OL4**  
Fits 4" OD  
x 3" tall  
tenon/pole

10" W  
3-1/4" H



**C2097**  
Fits 7" OD  
x 1" tall  
tenon/pole



**SternbergLighting**

ESTABLISHED 1923 / EMPLOYEE OWNED

800-621-3376  
555 Lawrence Ave., Roselle, IL 60172  
info@sternberglighting.com  
www.sternberglighting.com

8/20 STERNBERG LIGHTING. ALL RIGHTS RESERVED. PRINTED IN THE USA.