



# 8603LED PARKWAY SERIES

LED

EPA  
1.65 (ft<sup>2</sup>)  
WEIGHT  
28 LBS

7 YEAR  
WARRANTY

LUMEN  
RANGE  
1,505 to  
6,150

LIFE SPAN  
L70  
MINIMUM  
50,000  
HOURS

UL  
LISTED

CLICK  
FOR FAQ'S

JOB NAME \_\_\_\_\_

FIXTURE TYPE \_\_\_\_\_

MEMO \_\_\_\_\_

## BUILD A PART NUMBER

ORDERING EXAMPLE: **2A-8603LED-IL40T5-MDL07-SV2-PEC-FHD/480PM/4212FP4/SCC/BKT**

Mounting Config.	Fixture	Fitter	LED	CCT	Type	Driver	Lens	Option Control	Option Fuse	Option House Side Shield	Option Internal Diffusing Lens	Option Chimney	Arm <small>See Arm Spec Sheets</small>	Pole <small>See Pole Spec Sheets</small>	Finish

### Mounting Configuration

[\(Click here to view mounting configuration sheet\)](#)

- IW • 2A • 3A90 • 1AM • CH44
- PT • 2A90 • 3APT • 2AM • CAT
- 1A • 2APT • 4A • 450PB
- IAPT • 3A • 4APT • SH44

W = Wall Mount PT = Post Top A = Arm Mount AM = Arm Mid-Mount PB = Pier Base SH = Stem Hung CH = Chain Hung CAT = Catenary

### Fixture

- 8603LED • 8603LEDH

(H) - Hanging style fixture.

### Fitter

- BB (Ballast Box Fitter)
- SF (Standard Fitter)

### LED

- IL

### CCT - Color Temperature (K)

- 27(00) • 30(00) • 35(00) • 40(00) • 50(00)

### Type

- T2 • T3 • T4 • T5

### Driver

- MDL11 (120V-277V, 1100mA)
- MDH11 (347V-480V, 1100mA)
- MDL07 (120V-277V, 700mA)
- MDH07 (347V-480V, 700mA)
- MDL05 (120V-277V, 500mA)
- MDH05 (347V-480V, 500mA)
- MDL03 (120V-277V, 300mA)
- MDH03 (347V-480V, 300mA)

[Lens \(Click here to link to lens option specification page\)](#)

- CSA (Clear Seeded Acrylic)
- SV1 (Flat Soft Vue Light Diffused Acrylic)
- SV2 (Flat Soft Vue Medium Diffused Acrylic)
- SV4 (Flat Soft Vue Maximum Diffused Acrylic)
- CTA (Clear Textured Acrylic)
- PA (Prismatic Acrylic)

[Options \(Click here to view accessories sheet\)](#)

- PEC Electronic Button Photocontrol (120V-277V)

- PEC4 Electronic Button Photocontrol (347V-480V)
- FHD<sup>1</sup> Dual Fuse & Holder
- EZ Vertical Hangstraight, Large, "EZ" Mount
- HSS 120° House Side Shield
- SVID Light diffused internal dome lens
- SV2D Medium diffused internal dome lens
- FHC<sup>2</sup> Frosted Hurricane Chimney

<sup>1</sup> Ships loose for installation in base.

<sup>2</sup> Not compatible with SVID or SV2D options.

### Arm [\(Click here to link to arm specification page\)](#)

See Arms & Wall Brackets specification sheets.

- 50 • 478 • 80 • 55 • 579 • TASC
- 78 • 70 • 480 • 6236 • TA • BA

### Pole [\(Click here to link to pole specification page\)](#)

See Pole specification sheets.

### Finish

#### Standard Finishes<sup>3</sup>

- BKT Black Textured
- WHT White Textured
- PGT Park Green Textured
- ABZT Architectural Medium Bronze Textured
- DBT Dark Bronze Textured

<sup>3</sup> Smooth finishes are available upon request.

#### Custom Finishes<sup>4</sup>

- CM Custom Match
- OI Old Iron
- RT Rust
- WBR Weathered Brown
- CD Cedar
- WBK Weathered Black
- TT Two Tone

<sup>4</sup> Custom colors require upcharge.

#### Sternberg Select Finishes

- VG Verde Green
- SI Swedish Iron
- OWGT Old World Gray Textured

## Specifications

### Fixture

The 8603 Parkway series is a historical eight-sided fixture. It consists of a decorative cast mansard roof, a unique cast cage and acrylic lens. The roof shall be appointed with a decorative cast finial. The 8603 measures 15" wide

and the overall height is 31-1/2". The luminaire shall be UL listed in US and Canada.

### Fitter

The fixture shall be provided with a heavy wall cast aluminum fitter that can accept a 3" OD x 3" tall tenon or pole. The end of the fitter shall have four (4) stainless steel allen head screws which secures the connection between the fitter and tenon.

### LED's

The luminaire shall use high output, a high brightness LED, consisting of a two piece assembly complete with Chip on Board (COB) LED component and COB holder frame. The LED and printed circuit boards shall be 100% recyclable; they shall also be protected from moisture and corrosion by a conformal coating of 1 to 3 mils. They shall not contain lead, mercury or any other hazardous substances and shall be RoHS compliant. The LED life rating data shall be determined in accordance with IESNA LM-80. The High Performance white LED will have a life expectancy of approximately 100,000 hours with not less than 70% of original brightness (lumen maintenance), rated at 25°C. The High Brightness, High Output LED's shall be 4000K (2700K, 3000K, 3500K or 5000K option) color temperature with a minimum of 70 CRI. Consult factory for custom color CCT. The luminaire shall have a minimum \_\_\_\_\_ (see table) delivered initial lumen rating when operated at steady state with an average ambient temperature of 25°C (77°F).

### Optics

The luminaire shall be provided with individual, refractor type optics. The luminaire shall provide Type \_\_\_\_ (2, 3, 4 or 5) light distribution per the IESNA classifications. Testing shall be done in accordance with IESNA LM-79.

### Electronic Drivers

The LED driver shall be U.L. Recognized. It shall be remotely mounted in the field, arm, pole or base depending on the selected options. It

*See next page*

shall be supplied with a quick-disconnect electrical connector on the power supply, providing easy power connections and fixture installation. It shall have overload as well as short circuit protection, and have a DC voltage output, constant current design, 50/60HZ. It shall be supplied with line-ground, line-neutral and neutral-ground electrical surge protection in accordance with IEEE/ANSI C62.41.2 guidelines. It shall be dimmable using a 0-10v signal.

**For sources over 25w:** The driver shall have a minimum efficiency of 90%. The driver shall be rated at full load with THD<20% and a power factor of greater than 0.90. The driver shall contain over-heat protection.

**For sources under 25w:** The driver shall have a minimum efficiency of 88%.

### Photocontrols

**Button Style:** The photocontrol shall be mounted in the pole shaft on an access plate and are not pre-wired as driver housing assemblies and fitters are packaged separately for ease of wiring to source. The electronic button type photocontrol is instant on with a 5-10 second turn off, and shall turn on at 1.5 footcandles with a turn-off at 2-3 footcandles. Photocontrol is 120-277 volt and warranted for 6 years.

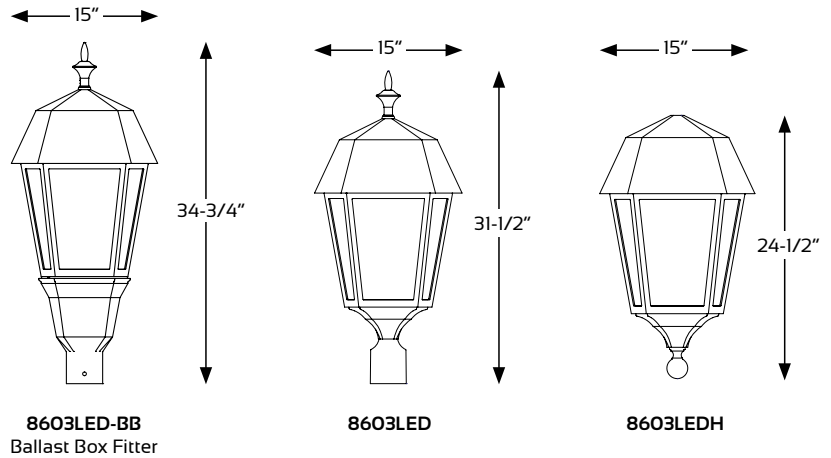
### Warranty

Seven-year limited warranty. See product and finish warranty guide for details.

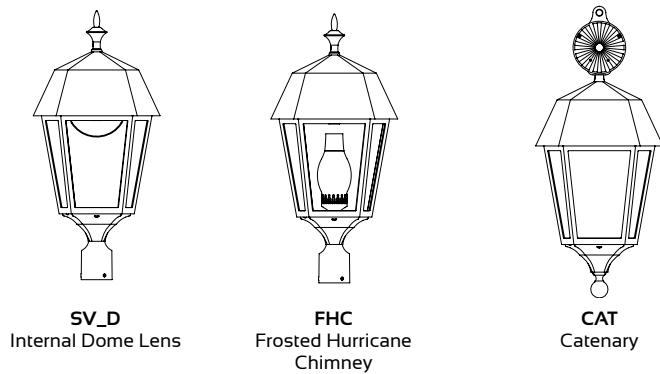
### Finish

Refer to website for details.

## Fixtures



## Options



## Performance

LIGHT SOURCE	T2 DELIVERED LUMENS	EFFICACY (LPW)	T3 DELIVERED LUMENS	EFFICACY (LPW)	T4 DELIVERED LUMENS	EFFICACY (LPW)	T5 DELIVERED LUMENS	EFFICACY (LPW)	WATTAGE
1L40T_-MDL11	5740	92.6	5635	90.9	5775	93.1	6150	99.2	62
1L30T_-MDL11	5595	90.2	5490	88.5	5630	90.8	5995	96.7	62
1L27T_-MDL11	5080	81.9	4990	80.5	5115	82.5	5445	87.8	62
1L40T_-MDL07	3835	95.9	3765	94.1	3850	96.3	4085	102.1	40
1L30T_-MDL07	3735	93.4	3670	91.8	3750	93.8	3980	99.5	40
1L27T_-MDL07	3395	84.9	3335	83.4	3410	85.3	3615	90.4	40
1L40T_-MDL05	2800	96.6	2740	94.5	2795	96.4	3045	105.0	29
1L30T_-MDL05	2730	94.1	2670	92.1	2725	94.0	2965	102.2	29
1L27T_-MDL05	2480	85.5	2425	83.6	2475	85.3	2695	92.9	29
1L40T_-MDL03	1700	89.5	1665	87.6	1695	89.2	1810	95.3	19
1L30T_-MDL03	1655	87.1	1625	85.5	1650	86.8	1765	92.9	19
1L27T_-MDL03	1505	79.2	1475	77.6	1500	78.9	1600	84.2	19