

# RIALTA RW404CC

## INSTALLATION INSTRUCTIONS

**WARNING:** TO AVOID FIRE, SHOCK OR DEATH, TURN OFF AND LOCKOUT POWER BEFORE PERFORMING ANY MAINTENANCE.

**CAUTION:** THIS FIXTURE MUST BE WIRED IN ACCORDANCE WITH THE NATIONAL ELECTRIC CODE AND ALL APPLICABLE LOCAL CODES. PROPER GROUNDING IS REQUIRED. ALL WORK SHOULD BE DONE BY A QUALIFIED ELECTRICIAN.

### STEP 1

Unpack pole assembly and fixture.

Handle with care. Recycle the empty packaging.



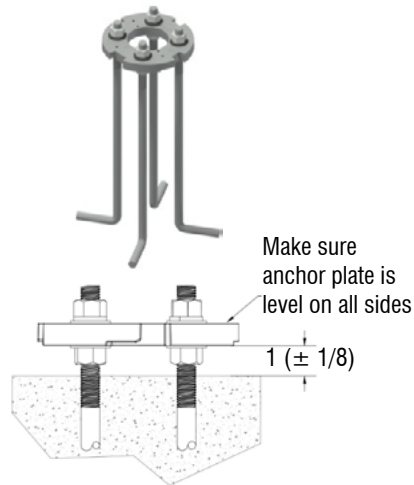
POLE



RW404CC

### STEP 2

The anchor assembly has been installed. Slide pole onto anchor plate. (Refer to anchor bolt template)



### STEP 3

Turn the pole assembly on 20 deg.  
Confirm assembly is level.



**SternbergLighting**

ESTABLISHED 1923 / EMPLOYEE OWNED

800-621-3376  
555 Lawrence Ave., Roselle, IL 60172  
info@sternberglighting.com  
www.sternberglighting.com

# RIALTA RW404CC

## INSTALLATION INSTRUCTIONS

**WARNING:** TO AVOID FIRE, SHOCK OR DEATH, TURN OFF AND LOCKOUT POWER BEFORE PERFORMING ANY MAINTENANCE.

**CAUTION:** THIS FIXTURE MUST BE WIRED IN ACCORDANCE WITH THE NATIONAL ELECTRIC CODE AND ALL APPLICABLE LOCAL CODES. PROPER GROUNDING IS REQUIRED. ALL WORK SHOULD BE DONE BY A QUALIFIED ELECTRICIAN.

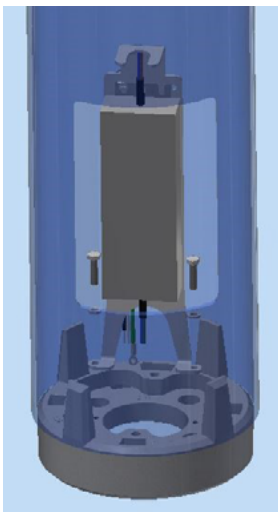
### STEP 4

Secure pole onto anchor plate with the four sets of screws and washers provided.



### STEP 5

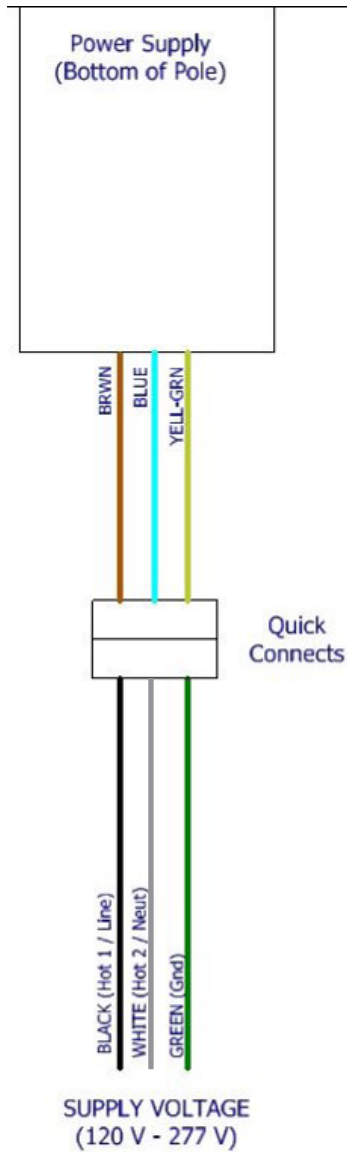
Install DC Power Source assembly into access hole at base of pole.



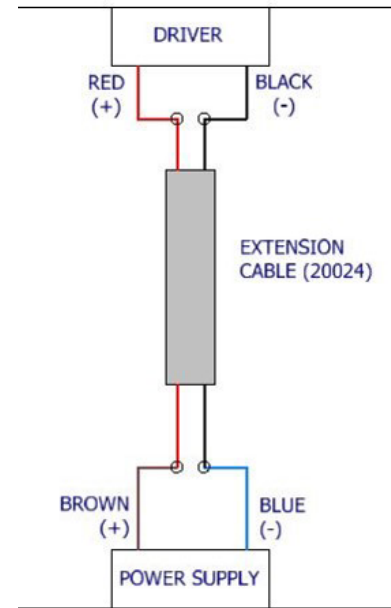
### STEP 6

Connect DC Power Supply to AC Supply Voltage, see Circuit 1.  
Connect Driver leads to DC Power Supply, see Circuit 2.

#### CIRCUIT 1



#### CIRCUIT 2



**SternbergLighting**

ESTABLISHED 1923 / EMPLOYEE OWNED

800-621-3376  
555 Lawrence Ave., Roselle, IL 60172  
info@sternberglighting.com  
www.sternberglighting.com

# RIALTA RW404CC

## INSTALLATION INSTRUCTIONS

**! WARNING:** TO AVOID FIRE, SHOCK OR DEATH, TURN OFF AND LOCKOUT POWER BEFORE PERFORMING ANY MAINTENANCE.

**! CAUTION:** THIS FIXTURE MUST BE WIRED IN ACCORDANCE WITH THE NATIONAL ELECTRIC CODE AND ALL APPLICABLE LOCAL CODES. PROPER GROUNDING IS REQUIRED. ALL WORK SHOULD BE DONE BY A QUALIFIED ELECTRICIAN.

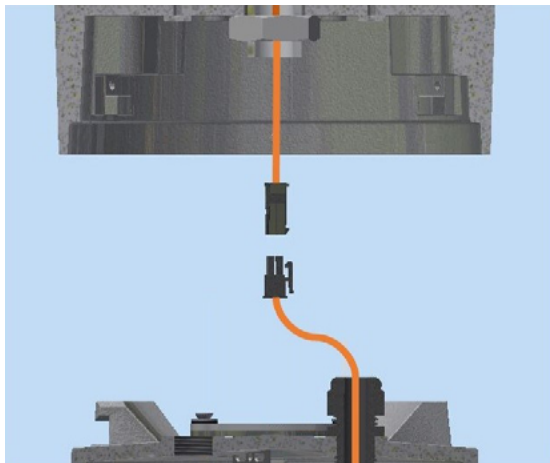
### STEP 7

Close the access door.



### STEP 8

Using 8-Pin Quick connects, join wires from fixture to wires from pole.

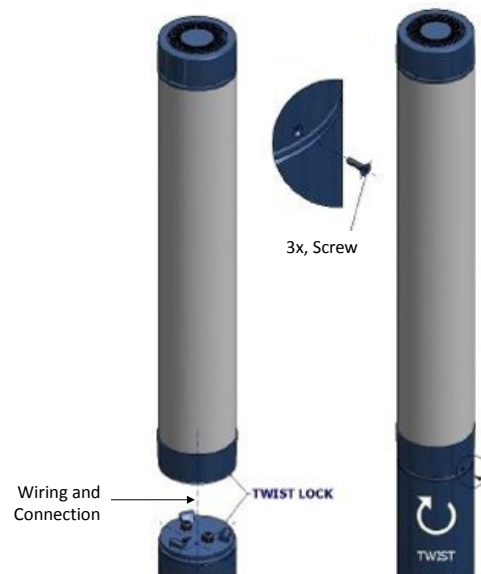


### STEP 9

Install the fixture onto top of pole.

3X, Secure fixture to pole with screws.

Caution. Place connection and wiring in a manner to prevent damage while attaching fixture to pole.



**SternbergLighting**

ESTABLISHED 1923 / EMPLOYEE OWNED

800-621-3376  
555 Lawrence Ave., Roselle, IL 60172  
info@sternberglighting.com  
www.sternberglighting.com

**WARNING:** TO AVOID FIRE, SHOCK OR DEATH, TURN OFF AND LOCKOUT POWER BEFORE PERFORMING ANY MAINTENANCE.

**CAUTION:** THIS FIXTURE MUST BE WIRED IN ACCORDANCE WITH THE NATIONAL ELECTRIC CODE AND ALL APPLICABLE LOCAL CODES. PROPER GROUNDING IS REQUIRED. ALL WORK SHOULD BE DONE BY A QUALIFIED ELECTRICIAN.

### STEP 10

Option: WLS-wireless.

Insert 2x, cables into pole

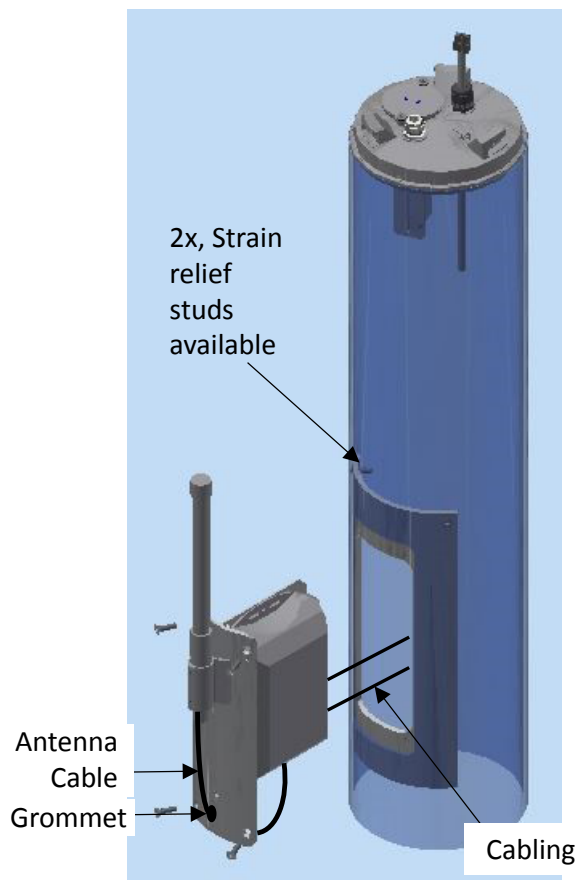
Attach cabling to strain relief, using available studs.

Insert wireless antenna assembly into access area in pole.

Attach Antenna to Receiver. Position Grommet in door.

Secure assembly with 4x, screws provided

Commissioning agent to connect cabling and set up Receiver.

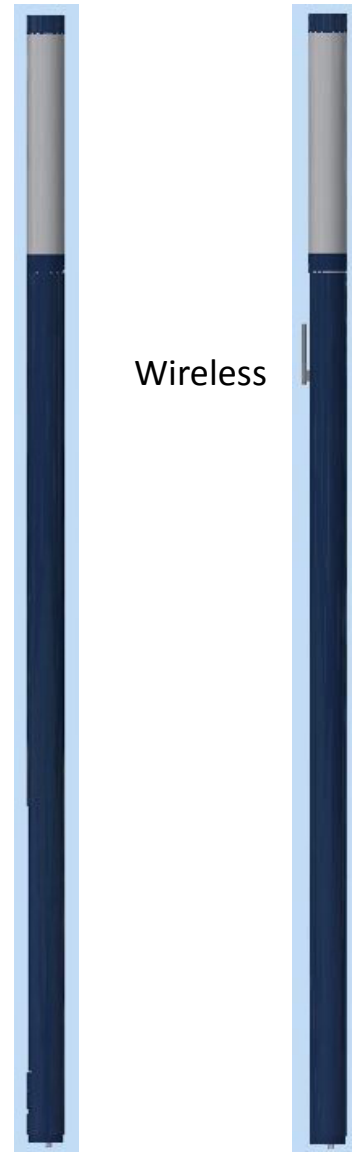


### STEP 11

Final view.

Wired

Wireless



**SternbergLighting**

ESTABLISHED 1923 / EMPLOYEE OWNED

800-621-3376  
555 Lawrence Ave., Roselle, IL 60172  
info@sternberglighting.com  
www.sternberglighting.com

# RIALTA RW404CC

## INSTALLATION INSTRUCTIONS

**WARNING:** TO AVOID FIRE, SHOCK OR DEATH, TURN OFF AND LOCKOUT POWER BEFORE PERFORMING ANY MAINTENANCE.

**CAUTION:** THIS FIXTURE MUST BE WIRED IN ACCORDANCE WITH THE NATIONAL ELECTRIC CODE AND ALL APPLICABLE LOCAL CODES. PROPER GROUNDING IS REQUIRED. ALL WORK SHOULD BE DONE BY A QUALIFIED ELECTRICIAN.

### STEP 12

CONTROL INSTALLATION.

DIAGRAM SHOWS GENERAL INTERCONNECTION / RELATIONSHIP OF COMPONENTS.

TOUCH SCREEN CAN BE WALL MOUNTED INTO BACK BOX. TOUCH SCREEN INTERFACE STORED ON SD CARD.

FOR WRD OPTION: DMX CABLING SHOULD RUN TO OUTDOOR DMX NETWORK.

FOR WLS OPTION: DMX SHOULD BE CONNECTED TO DMX INPUT OF TRANSMITTER. CONNECT TRANSMITTER TO ANTENNA. ANTENNA SHOULD HAVE LINE OF SIGHT (LOS) AND NO OBSTICALS TO WIRELESS DMX FIXTURES.

RECOMMENDED USE OF 3RD PARTY COMMISSIONING AGENT: FOR SOFTWARE AND DMX SYSTEM SETUP.

