

# accessories



**SternbergLighting**

ESTABLISHED 1923

[www.sternberglighting.com](http://www.sternberglighting.com)







# accessories



OPTIONS



MOUNTING



MEDALLIONS

Options and accessories are what add depth to any product line and the options Sternberg lighting has designed are no exception. In a world where products are applied on hundreds of projects per year solutions for each unique project are a must. Options can be aesthetic like medallions that show off a city logo or district, banner arms that hold fabric signs announcing events or seasonal sentiments. Options can also bring a higher level of utility to street and area lighting.

## features

- 3 introduction
- 5 options
- 10 medallions
- 11 castings
- 12 irrigation
- 14 technology





# options

Options are as numerous as the problems they solve. Sternberg Lighting has had extensive involvement in projects for decades and problem solving is part of our DNA. The extensive list of options is impressive in the industry. Below is a partial list of options available from Sternberg lighting. If you don't see the right one for you, give us a call. We will do our best to find a solution that fits your need and your budget.

<b>GFI IUC</b>	15 amp duplex GFCI receptacles with a standard in-use cover
<b>GFI LPIUC</b>	15 amp duplex GFCI receptacles with a low-profile in-use cover
<b>GFI IB</b>	15 amp duplex GFCI receptacle installed in pole base, includes mouse hole on door for wire access
<b>GFB</b>	Remote ground fault breaker installed in pole base (for use with NON-GFCI receptacles)
<b>FH</b>	Cast aluminum flag holder mount, for use with 1" diameter flag pole
<b>SBA</b>	Single banner arm, "PM" post mount style
<b>DBA</b>	Double banner arms, "PM" post mount style
<b>SBAR</b>	Single Banner and Ring, for triangle banners, "PM" post mount style
<b>HSBA / BSBA</b>	Single banner arm, HUB mount style mount. For "break-away" change number to read BSBA.
<b>HDBA / BDBA</b>	Double banner arms, HUB mount style mount. For "break-away" change number to read BDBA.
<b>C4SBA/5SBA</b>	Single banner arm, clamp-style mount, for 4" or 5" diameter poles
<b>C4DBA/5DBA</b>	Double banner arms at 180°, clamp-style mount, for 4" or 5" diameter poles
<b>DHPA</b>	Double hooked planter arm
<b>DSPA</b>	Double stepped planter arm
<b>PA478</b>	Cast aluminum decorative planter arm
<b>SA78</b>	Small cast aluminum decorative sign arm, with 24" long channel for blade sign by others
<b>SABA</b>	Banner style sign arm, with 24" long channel for blade sign by others
<b>SH</b>	Female threaded speaker hub, advise thread size
<b>SB</b>	Sign bracket, vertically mounted on pole shaft
<b>WHK</b>	Steel wreath hook

# options

Options allow personalization of products and bring higher functionality by offering solutions to project challenges. Each project has its own flavor and set of needs. Sternberg pole mounted product options give the designer ways to deploy hardware solutions that are at the same time functional and problem solving as well as harmonious in that they will fit seamlessly to pole selections. In short product solutions that don't look like someone was trying to solve a problem. There are many options available as standard products and others that can be modified to make Sternberg products even more versatile. If you don't see the solution you need consult our factory for a custom approach to your project.



**GFI IB**  
15 amp duplex GFCI receptacle installed in pole base, includes mouse hole on door for wire access



**GFB**  
Remote ground fault breaker installed in pole base (for use with NON-GFCI receptacles)



**SH**  
Female threaded speaker hub, advise thread size



**WHK**  
Steel wreath hook



**FH**  
Cast aluminum flag holder mount, for use with 1" diameter flag pole



**GFI IUUC**  
15 Amp duplex GFCI receptacles with a standard in-use cover



**GFI LPIUC**  
15 Amp duplex GFCI receptacles with a low-profile in-use cover



**HSBA**  
Single banner arm, HUB mount style mount. Hub style can be ordered as "break-away" by changing number to read BSBA.

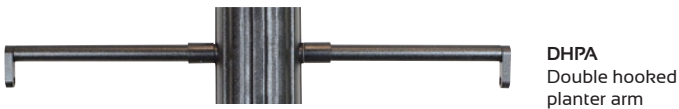
**HDBA**  
Double banner arms, HUB mount style mount. Hub style can be ordered as "break-away" by changing number to read "BDBA."



**C4DBA/C5DBA** - Double banner arm at 180, clamp-style mount, for 4" or 5" diameter poles



**C4SBA/C5SBA**  
Single banner arm, clamp-style mount, for 4" or 5" diameter poles



**DHPA**  
Double hooked  
planter arm



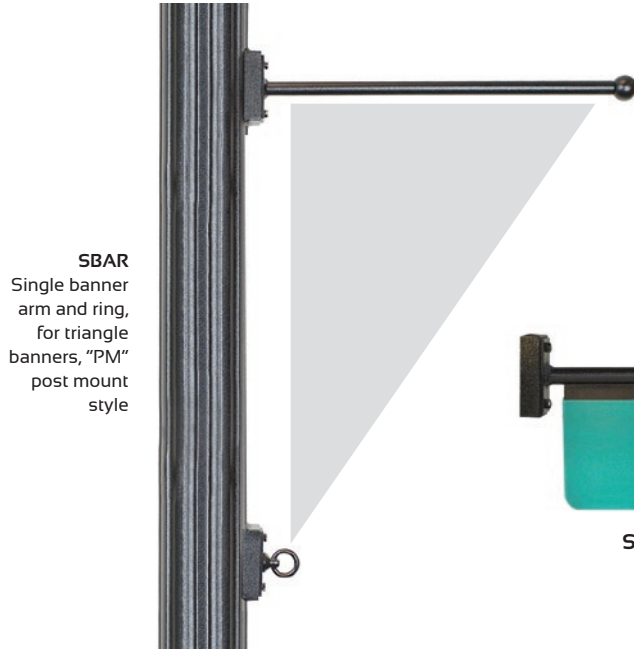
**DSPA** - Double stepped planter arm



**SBA**  
Single banner  
arm, "PM"  
post  
mount style



**PA478**  
Cast  
aluminum  
decorative  
planter  
arm



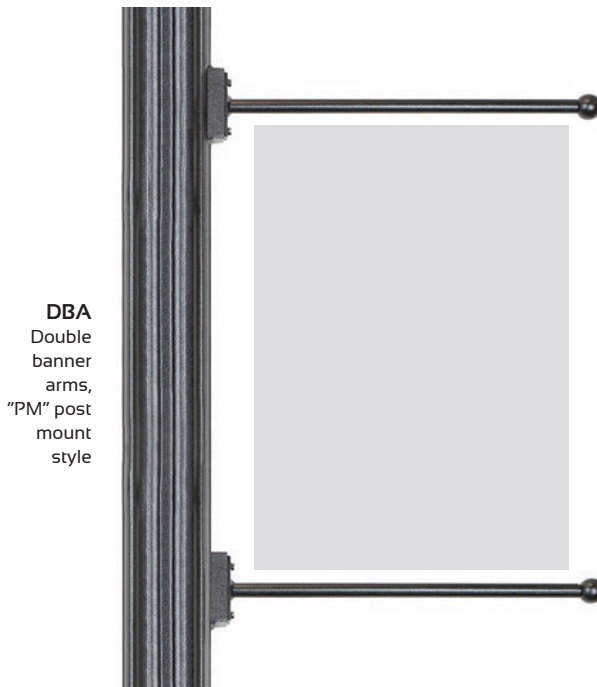
**SBAR**  
Single banner  
arm and ring,  
for triangle  
banners, "PM"  
post mount  
style



**SABA** - Banner style sign arm, with 24" long  
channel for blade sign by others



**SA78** - Small cast aluminum decorative sign arm, with  
24" long channel for blade sign by others



**DBA**  
Double  
banner  
arms,  
"PM"  
post  
mount  
style

**SB**  
Sign  
bracket,  
vertically  
mounted  
on pole  
shaft



# hangstraights

## CLAMP STYLE ARM MOUNT

To slip fit 8" long by 2-3/8" OD on horizontal tenon.



**HSCB**  
Hangstraight, clamp style, BALL finial



**HSCB-R-PE**  
Hangstraight, clamp style with BALL finial, twist-lock receptacle, photocell in decorative cap.



**HSCS**  
Hangstraight, clamp style, SPIKE Finial



**HSCS-R-PE**  
Hangstraight, clamp style with SPIKE finial, twist-lock receptacle, photocell in decorative cap.



**HSCN**  
Hangstraight, clamp style, NO Finial

## HORIZONTAL ARM MOUNT

To slip fit 4" long by 2-3/8" OD on horizontal tenon.



**HSHB**  
Hangstraight, horizontal, BALL finial



**HSHB-R-PE**  
Hangstraight, horizontal with BALL finial, twist-lock receptacle, photocell in decorative cap.



**HSHS**  
Hangstraight, horizontal, SPIKE Finial



**HSHS-R-PE**  
Hangstraight, horizontal with SPIKE finial, twist-lock receptacle, photocell in decorative cap.



**HSHN**  
Hangstraight, horizontal, NO Finial

## VERTICAL ARM MOUNT



**EZ**  
"EZ Hang" vertical hangstraight.



**HSV**  
Standard vertical hangstraight.

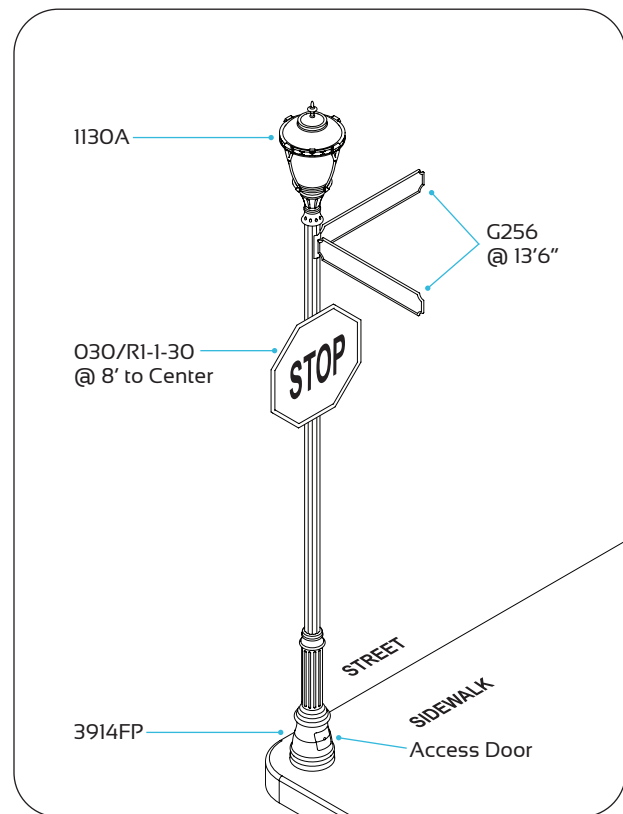
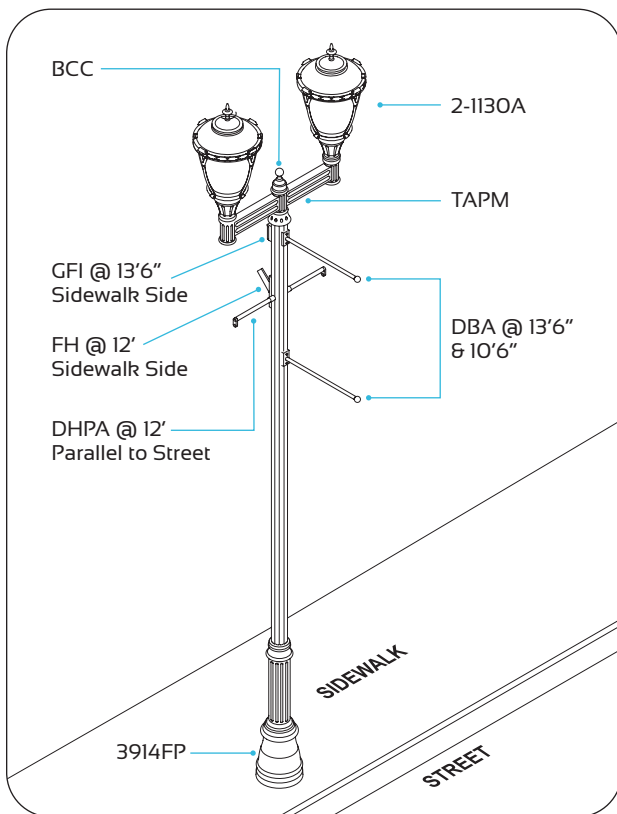
HSHS	Standard horizontal hangstraight, spike finial
HSHN	Standard horizontal hangstraight, no finial
HSHB	Standard horizontal hangstraight, ball finial
HSCB	Clamp style horizontal hangstraight, ball finial
HSCS	Clamp style horizontal hangstraight, spike finial
HSCN	Clamp style horizontal hangstraight, no finial
EZ	Vertical hangstraight, large, "EZ" mount
HSV	Standard vertical hangstraight



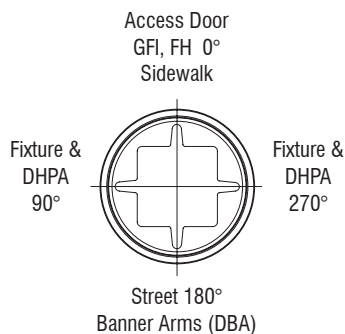


# orientation

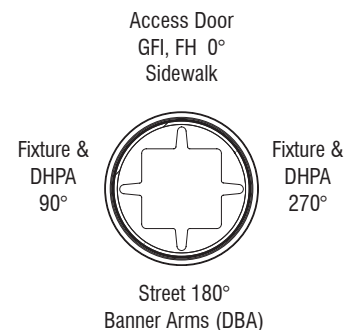
Mounting options to pole and luminaire assemblies are as important as the options selected. The proper fit and location determines how long and how well each option will function. Sternberg Lighting will make selecting and orienting your options as easy as possible, providing drawings and advice along the way so that you can have confidence in your choices and that the product will function as intended.



PART #	HGT.	ORIENT.
GFI	13'6"	0°
FH	12'	0°
DHPA	12'	90°
DHPA	12'	270°
DBA	13'6"	180°
DBA	10'6"	180°



PART #	HGT.	ORIENT.
G256	13'6"	0°
G256	13'6"	90°
030	8'	0°



# medallions

Medallions are a way for any project to add an artistic dimension to its lighting equipment. Sternberg lighting can do one piece cast and painted pieces, flat medallions with vinyl applied or water jet cut-outs that tell a story in a slightly different way. These types of medallions are custom built to customer specifications. Sternberg lighting can do many different kinds of signs. Call the factory for your custom solution.





# castings

Custom castings are one way to dress up a pole so that it looks like product designed specifically for one customer. Hand-hole covers presenting a city logo or name are very popular. Campus environments can be dressed up by a simple team name or school logo. Because Sternberg poles are heavy cast aluminum we have the ability to personalize poles for a fraction of the cost of a custom pole design. We can translate almost any logo to flat or curved surfaces and even use multiple colors to enhance the design and give the perfect graphic effect.



**Custom Castings**  
Special logos and designs can be cast into the access door of our pole bases. The village of Deerfield, IL has their deer logo cast on a new 6100 base with a square pole.



**Shown left:**  
Special logos and designs can be cast into the access door of our pole bases. At SilverLeaf Resorts throughout the country, this design was used on the base of our 4200 Augusta poles.

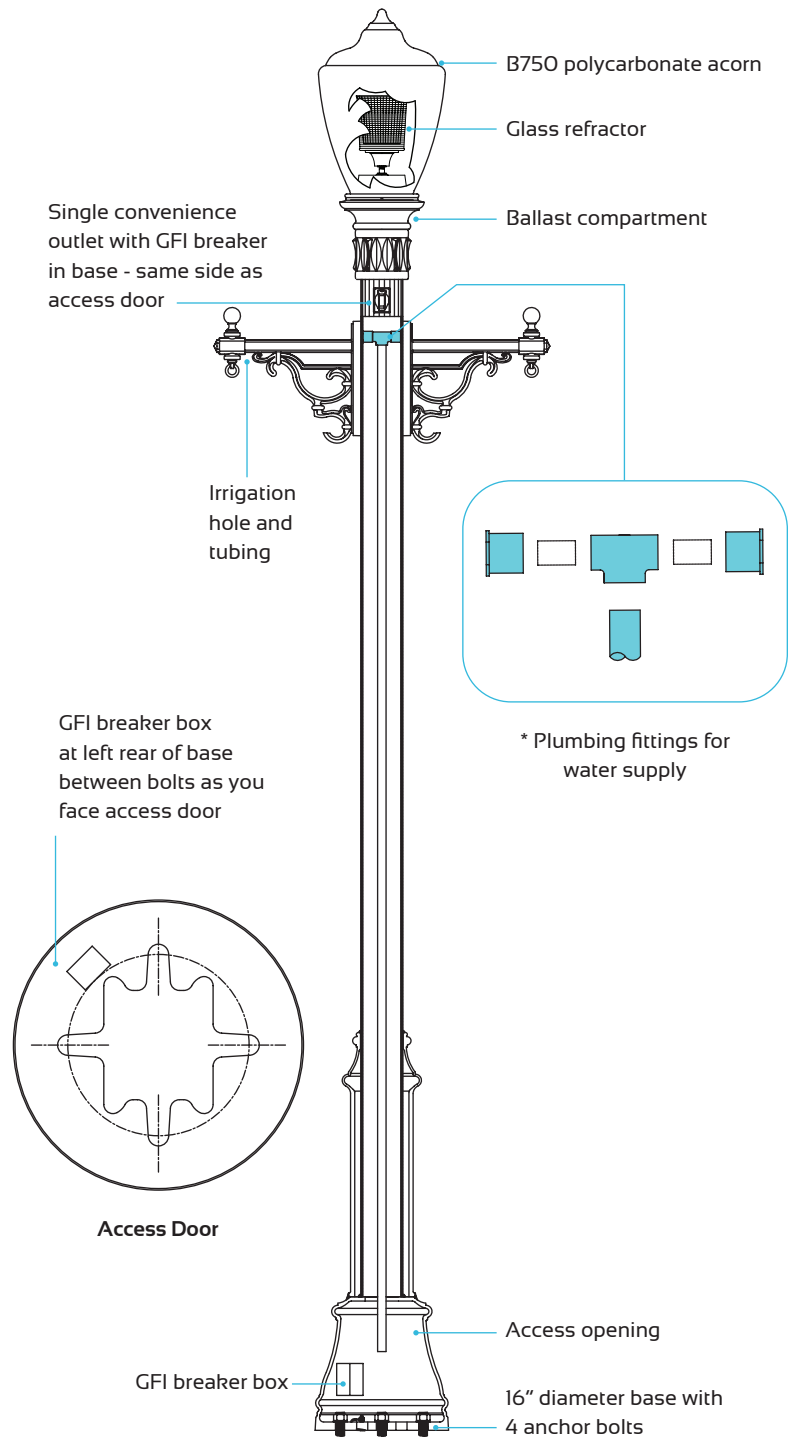




# irrigation

This exclusive self-watering system was developed by Sternberg for the City of Winter Park, FL. The pole and custom twin planter arms are equipped with a unique drip irrigation system which allows water, by way of irrigation tubing, to maintain flowers or plants naturally. With this low maintenance feature, it is no longer necessary for the city's watering trucks to water flower baskets.

\* Water hook-ups to be made by qualified professional plumber



Wireless Dual Band Mesh Transceiver



App Based Wireless Control

RGBA Notification (Indicator Light)



\* Digital Street Sign



\* Controlled Receptacle

\* Facade Lighting (Color Changing)

\* Environmental Sensors (CBRNE & Seismic)



\* Water Detection



\* Optional Features



**"Smart Grid" Street Light**

- Photocell control
- 0-100% dimming
- On-demand light levels

**Concealed Placement Speaker (CPS)™**

- Music
- Announcements
- Alerts

**\* Image Sensor**

- Proximity sensors
- Pedestrian counter
- Homeland security

**\* Digital Signage**

- Way finding
- Traffic direction
- Alert notification
- Civic information
- Revenue generation (via advertising)

**\* Push to talk system "Push Blue" emergency call station**

Solana



Available in a variety of styles & light output



# technology

Technology is the answer when the question starts with “How do I”. Sternberg Lighting knows how to take the value of technology and bundle it with lighting to make something truly functional and beautiful. Using the latest in wireless communications and leading edge designs from our tech partners Sternberg offers many practical and affordable solutions.

### Electronic Banner

Electronic banners are used as advertising space creating revenue streams for Municipalities and/or University campuses. They also can be used for wayfinding, video display, seasonal messaging and Amber alerts. Content management can be serviced “in house” or can be contracted out along with graphics design.



### Speakers

External speakers are water and weather proof. They can be mounted to the sides of poles for entertainment and public address functionality. Speakers are hard wired to an audio source and can play music, announcements or even commentary during parades or public events.



### Camera

Pole mounted cameras can provide a myriad of functions from simple area monitoring to night vision, infrared, facial recognition, live streaming video or event monitoring.



### Sensors

A variety of atmospheric sensing devices can be mounted in pole structures allowing for very specific tasks. Everything from water level to air quality and beyond is possible with today's technology. Light poles are not just for lighting anymore. They can be used to monitor the environment and report back on issues detected so that city and campus managers can plan for and take action quickly.



### WiFi

The internet is the vehicle by which all of our minds travel today. The same is true of the data we need in order to be aware of our environment. WiFi is the way we will tap into the internet and the information highway. Public WiFi can be built into light pole structures giving access to residents and visitors.



# SternbergLighting

ESTABLISHED 1923



**LOCATED IN ROSELLE, IL**

**Engineered, Tested and Assembled in the USA!**

Sternberg Lighting has created a legacy of old world craftsmanship that dates back to the company's inception in 1923. The work ethic and product innovations that made the early Sternberg company successful are still being practiced by our employees today. Our dedicated staff, attention to detail, and quality production processes are what make Sternberg a world class company.

Sternberg Lighting serves the municipal, landscape, higher education and commercial markets providing efficient and cost effective lighting solutions to the outdoor market.

See our complete catalog online at:

**[www.sternberglighting.com](http://www.sternberglighting.com)**



# SternbergLighting

ESTABLISHED 1923

555 Lawrence Ave., Roselle IL 60172

800-621-3376 | [contactus@sternberglighting.com](mailto:contactus@sternberglighting.com) | [www.sternberglighting.com](http://www.sternberglighting.com)