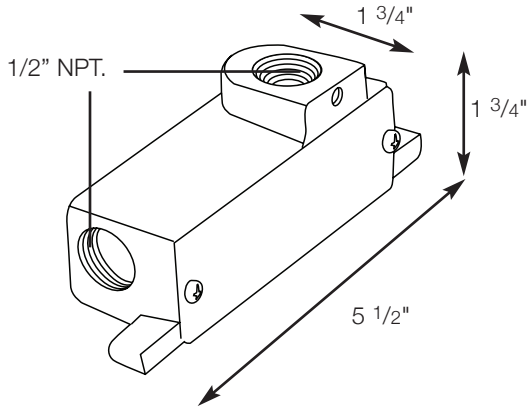


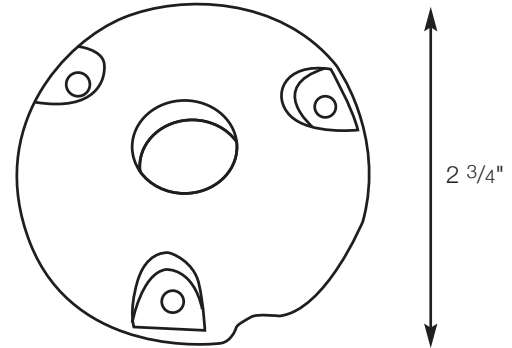
SPJ19-20



MODEL: SPJ19-20
(2) 1/2" NPT. Female Threads

SPJ19-01

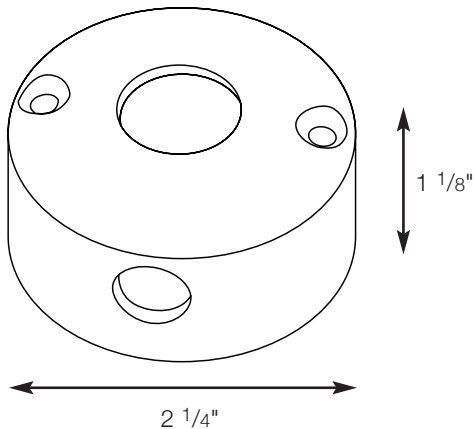
Quick Ship



MODEL: SPJ19-01
Wall or Tree Mount

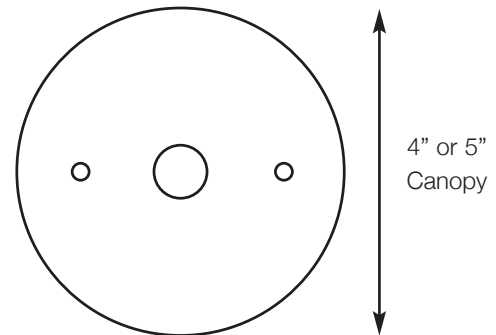
SPJ19-21

Quick Ship



MODEL: SPJ19-21

SPJ19-10 & SPJ19-11



MODEL: SPJ19-10
4" Canopy
MODEL: SPJ19-11
5" Canopy

DRAWN BY: MMC

BASE DESIGN: SPJ

DATE: 01-10-10

SPJ LIGHTING INC.

2107 Chico Avenue
South El Monte, CA 91733
(800) 469-3637 FAX: (626) 433-4839