



Forever Bright

SPECIFICATION FEATURES



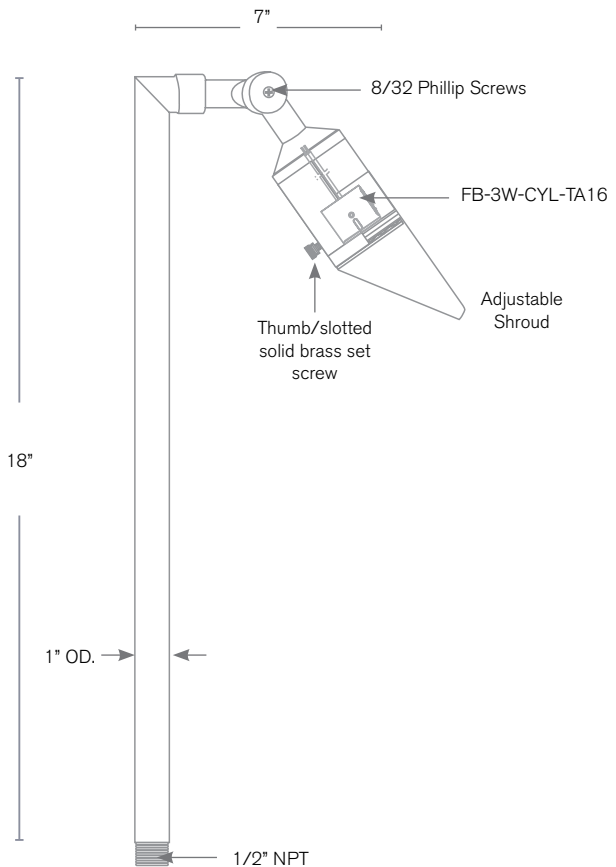
Model: **SPJ18-16 LED**
 Model: **SPJ24-16 LED**
 Finish: Matte Bronze

- Finish:** Our naturally etched finishes will withstand the test of time. All finishes are individually treated insuring consistency. Our meticulous application results in a fixture that truly becomes "a one of a kind".
- Electrical:** Available in 8-15V
- Labels:** ETL Standard Wet Label
C-ETL

Contemporary Path Light

DESCRIPTION

- Model#:** SPJ18-16 LED 18" RISER
- Model#:** SPJ24-16 LED 24" RISER
- Material:** Solid Brass
- Electrical:** 8-15V
- Engine:** FB-3W-CYL-TA16
- Lumens:** 200
- Color Temp:** 2700k
- Optic:** Wide Angle Flood
- Mounting:** 1/2" NPT. Dual Fin Spike Incl.
- LED:** Nichia



Wet Listed



ORDERING INFORMATION

Model#	Finishes	Wattage	Optics	Lumens	Color Temp.	Electrical
SPJ18-16	MBR	3W	WIDE ANGLE FLOOD	200	2700K	8-15V

V = Verde	GM = Gun Metal	3W	Wide Angle Flood	200	2700K	8-15V
M = Moss	B = Black			210	4000K	
AG = Aged Brass	R = Rusty			220	5000K	
MBR = Matte Bronze	PVDP = PVD Polished					
RC = Raw Copper	PVDS = PVD Satin					

WWW.SPJLIGHTING.COM