



Forever Bright

SPECIFICATION FEATURES



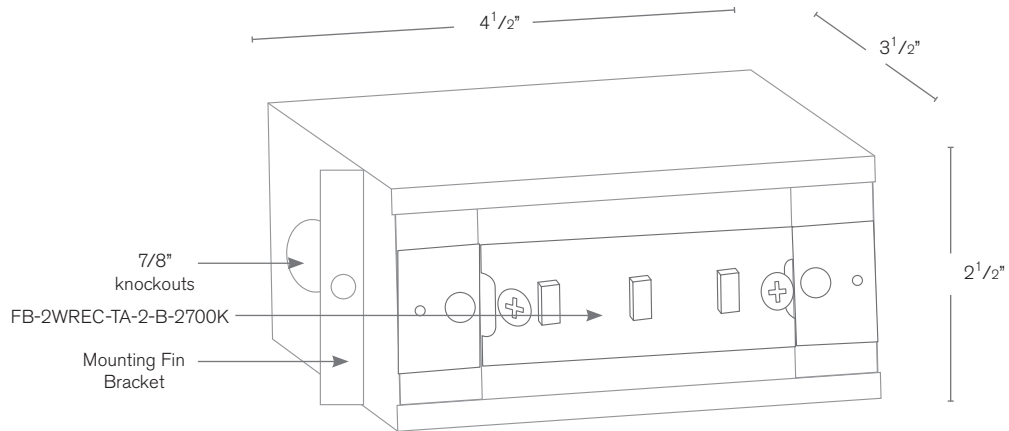
Model: **SPJ17-FB-SM-BOX**
Finish: Solid Brass

- Finish:** Our naturally etched finishes will withstand the test of time. All finishes are individually treated insuring consistency. Our meticulous application results in a fixture that truly becomes "a one of a kind".
- Electrical:** Available in 9-15V or 120V
- Labels:** ETL Standard Wet Label
C-ETL

Step Light Recessed

DESCRIPTION

- Model#:** SPJ17-FB-SM-BOX
- Mounting:** Recessed
- Engine:** FB-2WREC-TA-2-B-2700K
- Color Temp:** 2700k
- Electrical:** 9-15V, 120V
- Lumens:** 125
- LED:** Nichia



Wet Listed



ORDERING INFORMATION

Model#	Finishes	Wattage	Lumens	Color Temp.	Electrical
SPJ17-FB-SM-BOX	SB	2W	125	2700K	9-15V
	V = Verde GM = Gun Metal M = Moss B = Black AG = Aged Brass R = Rusty MBR = Matte Bronze PVDP = PVD Polished SB = Solid Brass PVDS = PVD Satin	2W	125	2700K 4000K 6500K	9-15V 120V