



Forever Bright

SPECIFICATION FEATURES



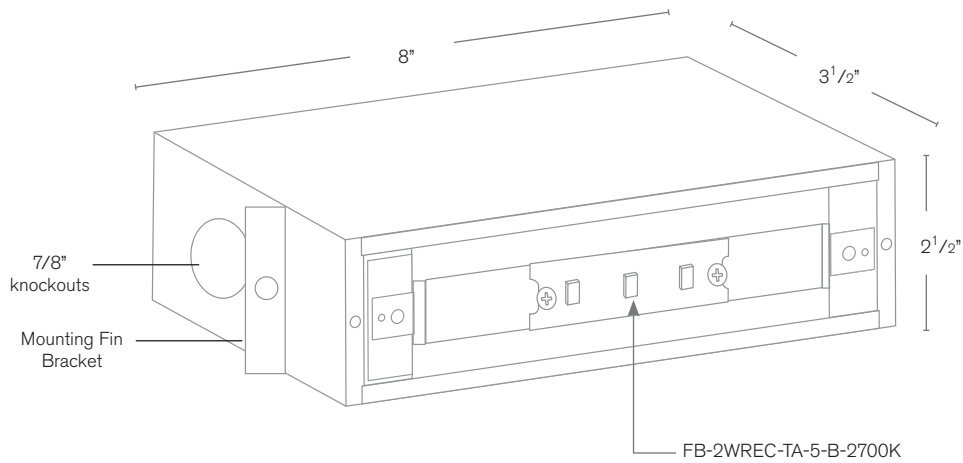
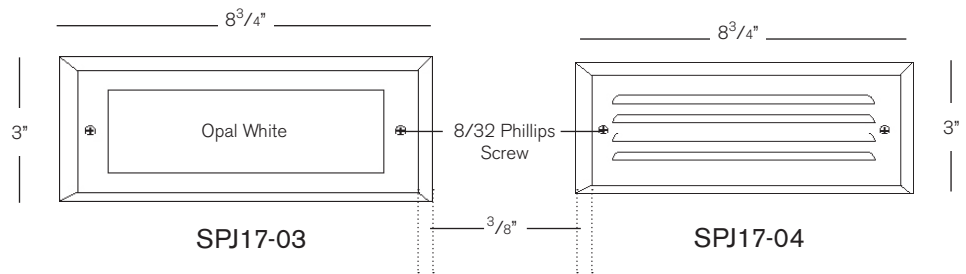
Model: **SPJ17-FB-LG-Box**
Finish: Raw Brass

- Finish:** Our naturally etched finishes will withstand the test of time. All finishes are individually treated insuring consistency. Our meticulous application results in a fixture that truly becomes "a one of a kind".
- Electrical:** Available in 9-15V or 120V
- Labels:** ETL Standard Wet Label
C-ETL

Step Light Recessed

DESCRIPTION

- Model#:** SPJ17-FB-LG-Box
- Mounting:** Recessed
- Engine:** FB-2WREC-TA-5-B-2700K
- Color Temp:** 2700k
- Electrical:** 9-15V, 120V
- Lumens:** 125
- LED:** Nichia



Wet Listed



ORDERING INFORMATION

Model#	Finishes	Wattage	Lumens	Color Temp.	Electrical
SPJ17-FB-LG-BOX	RB	2W	125	2700K	9-15V

- V = Verde
- M = Moss
- AG = Aged Brass
- MBR = Matte Bronze
- RB = Raw Brass
- GM = Gun Metal
- B = Black
- R = Rusty
- PVDP = PVD Polished
- PVDS = PVD Satin
- 2W
- 125
- 2700K
- 4000K
- 6500K
- 9-15V
- 120V

WWW.SPJLIGHTING.COM