



# Forever Bright

## SPECIFICATION FEATURES



Model: **SPJ160-M**  
Finish: Rusty

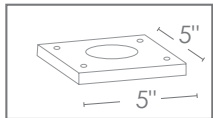
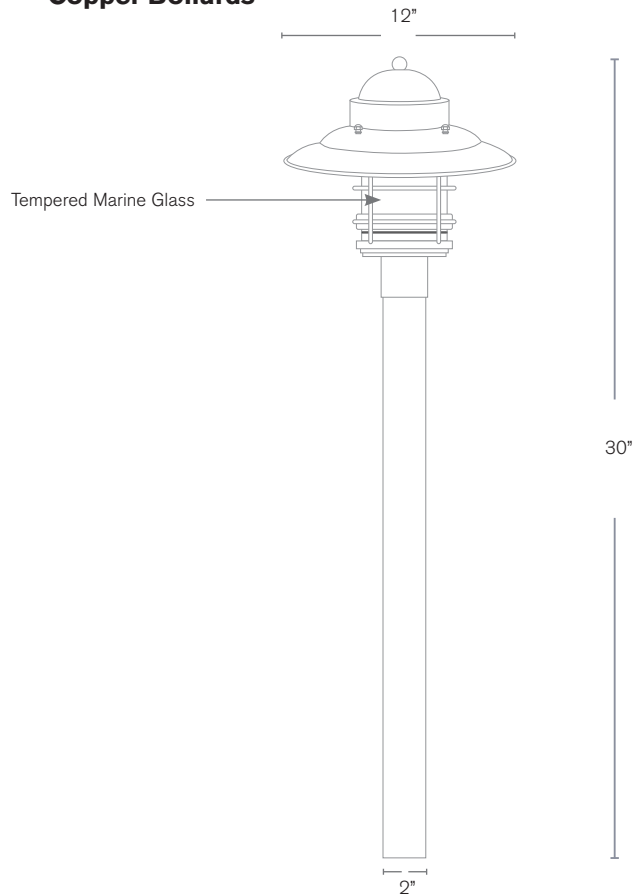
- Finish:** Our naturally etched finishes will withstand the test of time. All finishes are individually treated insuring consistency. Our meticulous application results in a fixture that truly becomes "a one of a kind".
- Electrical:** Available in 12V or 120V
- Labels:** ETL Standard Wet Label  
C-ETL

**Higher Lumen Packages Available  
Consult Customer Service**

## DESCRIPTION

- Model#:** SPJ160-M
- Material:** Solid Brass
- Electrical:** 12V or 120V
- Engine:** FB-TAB-6W
- Lumens:** 300
- Color Temp:** 2700k
- Mounting:** Direct Burial or Anchor Mount
- LED:** Nichia

### Solid Brass & Copper Bollards



Model: DM5  
Deck Mount Option



**Wet Listed**



## ORDERING INFORMATION

Model#	Finishes	Wattage	Lumens	Color Temp.	Electrical
<b>SPJ160-M</b>	<b>R</b>	<b>6W</b>	<b>300</b>	<b>2700K</b>	<b>12V</b>

- V = Verde
- M = Moss
- AG = Aged Brass
- MBR = Matte Bronze
- RC = Raw Copper
- GM = Gun Metal
- B = Black
- R = Rusty
- PVDP = PVD Polished
- PVDS = PVD Satin
- 6W
- 300
- 2700K
- 4000K
- 5000K
- 12V
- 120V

[WWW.SPJLIGHTING.COM](http://WWW.SPJLIGHTING.COM)