



# Forever Bright

## SPECIFICATION FEATURES



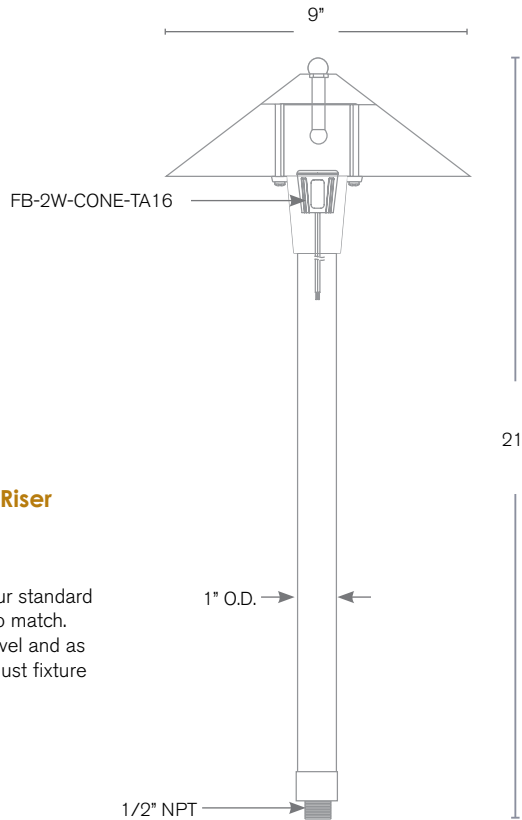
Model: **SPJ10-04**  
Finish: Polished Copper

- Finish:** Our naturally etched finishes will withstand the test of time. All finishes are individually treated insuring consistency. Our meticulous application results in a fixture that truly becomes "a one of a kind".
- Electrical:** Available in 8-15V
- Labels:** ETL Standard Wet Label  
C-ETL

### Path / Area Light

#### DESCRIPTION

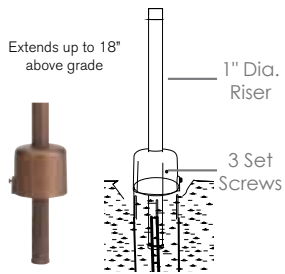
- Model#:** SPJ10-04
- Electrical:** 8-15V
- Engine:** FB-2W-Cone-TA16
- Lumens:** 150
- Color Temp:** 2700 k
- Mounting:** 1/2" NPT. Dual Fin Spike Incl.
- LED:** Nichia



#### Option:

#### Adjustable Below Grade Riser

**Model:** SPJ19-03-RBBG  
**Shown:** Matte Bronze  
**Desc:** Solid brass top fits on our standard perma-post with finish to match. Install fixture at grade level and as the landscape grows adjust fixture height as needed.



**Wet Listed**



#### ORDERING INFORMATION

Model#	Finishes	Wattage	Lumens	Color Temp.	Electrical
<b>SPJ10-04</b>	<b>PC</b>	<b>2W</b>	<b>150</b>	<b>2700K</b>	<b>8-15V</b>

- V = Verde
- GM = Gun Metal
- M = Moss
- B = Black
- AG = Aged Brass
- R = Rusty
- MBR = Matte Bronze
- PC = Polished Copper
- RC = Raw Copper
- PVDS = PVD Satin