



Forever Bright

SPECIFICATION FEATURES



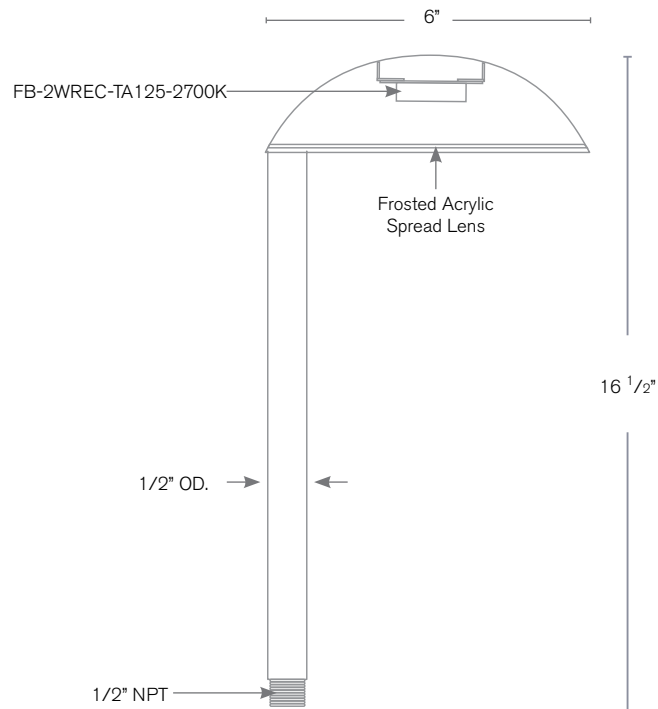
Model: **SPJ10-01**
Finish: Raw Copper

- Finish:** Our naturally etched finishes will withstand the test of time. All finishes are individually treated insuring consistency. Our meticulous application results in a fixture that truly becomes "a one of a kind".
- Electrical:** Available in 9-15V
- Labels:** ETL Standard Wet Label
C-ETL

Contemporary Path Light

DESCRIPTION

- Model#:** SPJ10-01
- Electrical:** 9-15V
- Engine:** FB-2WREC-TA125-2700K
- Lumens:** 125
- Color Temp:** 2700k
- Mounting:** 1/2" NPT. Dual Fin Spike Incl.
- LED:** Nichia



Wet Listed



ORDERING INFORMATION

Model#	Finishes	Wattage	Lumens	Color Temp.	Electrical
SPJ10-01	RC	2W	125	2700K	9-15V

- V = Verde GM = Gun Metal
- M = Moss B = Black
- AG = Aged Brass R = Rusty
- MBR = Matte Bronze PVDP = PVD Polished
- RC = Raw Copper PVDS = PVD Satin