



Forever Bright

SPECIFICATION FEATURES



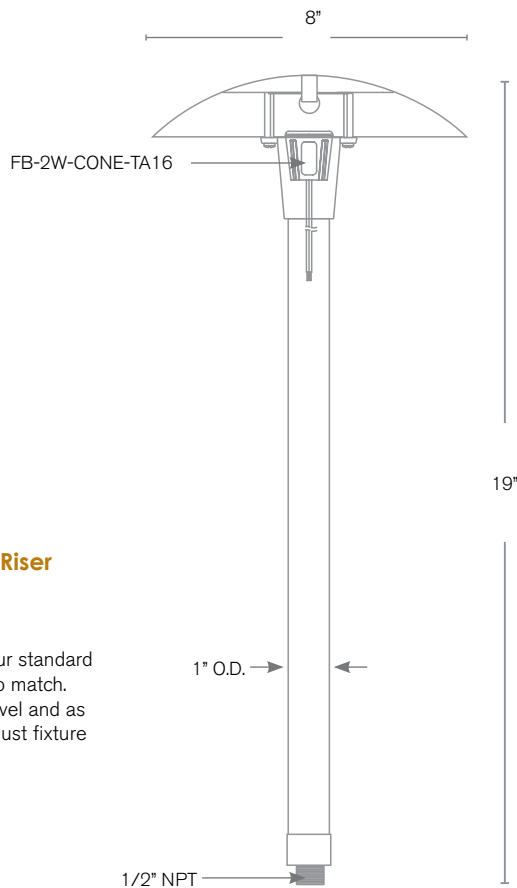
Model: **SPJ09-06**
Finish: PVD Polished

- Finish:** Our naturally etched finishes will withstand the test of time. All finishes are individually treated insuring consistency. Our meticulous application results in a fixture that truly becomes "a one of a kind".
- Electrical:** Available in 8-15V
- Labels:** ETL Standard Wet Label
C-ETL

Path / Area Light

DESCRIPTION

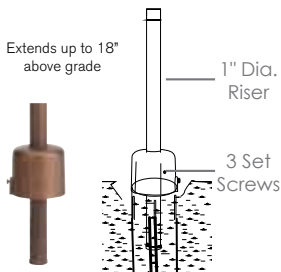
- Model#:** SPJ09-06
- Material:** Solid Brass
- Electrical:** 8-15V
- Engine:** FB-2W-Cone-TA16
- Lumens:** 150
- Color Temp:** 2700 k
- Mounting:** 1/2" NPT. Dual Fin Spike Incl.
- LED:** Nichia



Option:

Adjustable Below Grade Riser

- Model:** SPJ19-03-RBBG
- Shown:** Matte Bronze
- Desc:** Solid brass top fits on our standard perma-post with finish to match. Install fixture at grade level and as the landscape grows adjust fixture height as needed.



Wet Listed



ORDERING INFORMATION

| Model# | Finishes | Wattage | Lumens | Color Temp. | Electrical |
|----------|----------|---------|--------|-------------|------------|
| SPJ09-06 | PVDS | 2W | 150 | 2700K | 8-15V |

- V = Verde GM = Gun Metal
- M = Moss B = Black
- AG = Aged Brass R = Rusty
- MBR = Matte Bronze PVDP = PVD Polished
- RC = Raw Copper PVDS = PVD Satin