



# Forever Bright

## SPECIFICATION FEATURES



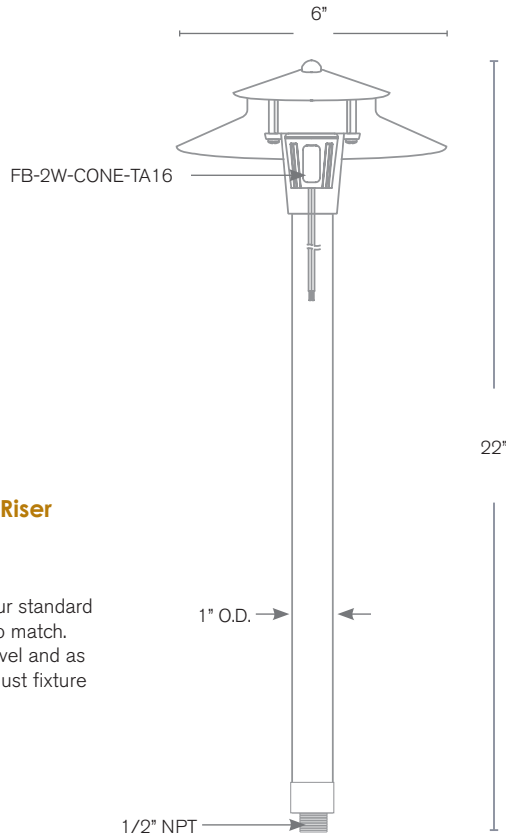
Model: **SPJ07-14**  
Finish: PVD Graphite

- Finish:** Our naturally etched finishes will withstand the test of time. All finishes are individually treated insuring consistency. Our meticulous application results in a fixture that truly becomes "a one of a kind".
- Electrical:** Available in 8-15V
- Labels:** ETL Standard Wet Label  
C-ETL

## Path / Area Light

### DESCRIPTION

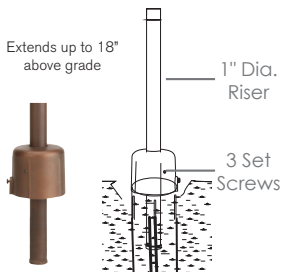
- Model#:** SPJ07-14
- Electrical:** 8-15V
- Engine:** FB-2W-Cone-TA16
- Lumens:** 150
- Color Temp:** 2700 k
- Mounting:** 1/2" NPT. Dual Fin Spike Incl.
- LED:** Nichia



### Option:

#### Adjustable Below Grade Riser

- Model:** SPJ19-03-RBBG
- Shown:** Matte Bronze
- Desc:** Solid brass top fits on our standard perma-post with finish to match. Install fixture at grade level and as the landscape grows adjust fixture height as needed.



**Wet Listed**



### ORDERING INFORMATION

Model#	Finishes	Wattage	Lumens	Color Temp.	Electrical
<b>SPJ07-14</b>	<b>PVDG</b>	<b>2W</b>	<b>150</b>	<b>2700K</b>	<b>8-15V</b>

- |                    |                     |    |     |       |       |
|--------------------|---------------------|----|-----|-------|-------|
| V = Verde          | B = Black           | 2W | 150 | 2700K | 8-15V |
| M = Moss           | R = Rusty           |    | 160 | 4000K |       |
| AG = Aged Brass    | PVDP = PVD Polished |    | 170 | 5000K |       |
| MBR = Matte Bronze | PVDS = PVD Satin    |    |     |       |       |
| RC = Raw Copper    | PVDG = PVD Graphite |    |     |       |       |
| GM = Gun Metal     |                     |    |     |       |       |

[WWW.SPJLIGHTING.COM](http://WWW.SPJLIGHTING.COM)