



# Forever Bright

## SPECIFICATION FEATURES



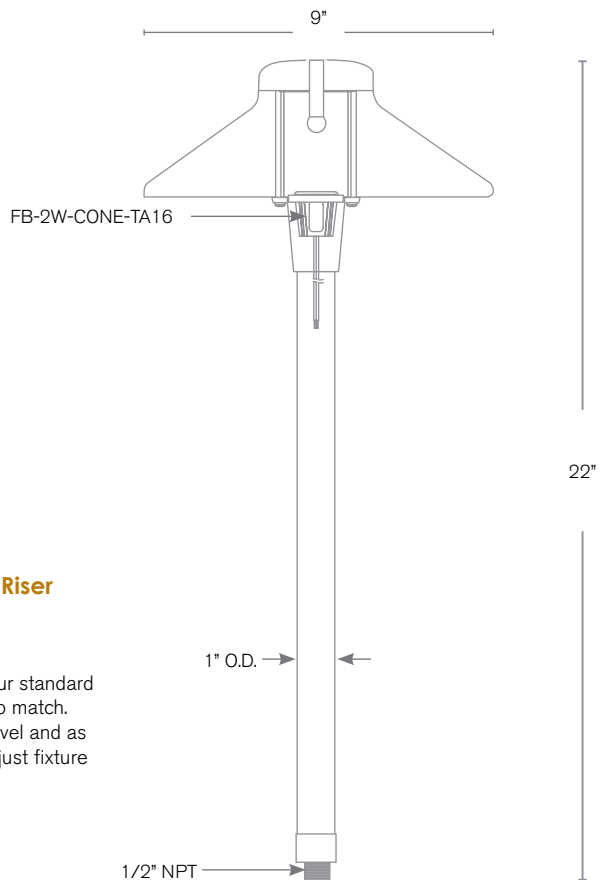
Model: **SPJ07-10**  
Finish: Matte Bronze

- Finish:** Our naturally etched finishes will withstand the test of time. All finishes are individually treated insuring consistency. Our meticulous application results in a fixture that truly becomes "a one of a kind".
- Electrical:** Available in 8-15V
- Labels:** ETL Standard Wet Label  
C-ETL

### Path / Area Light

#### DESCRIPTION

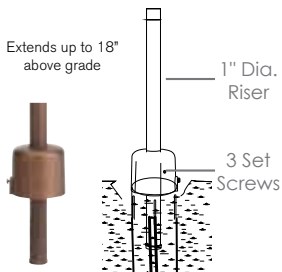
- Model#:** SPJ07-10
- Material:** Solid Brass
- Electrical:** 8-15V
- Engine:** FB-2W-Cone-TA16
- Lumens:** 150
- Color Temp:** 2700 k
- Mounting:** 1/2" NPT. Dual Fin Spike Incl.
- LED:** Nichia



#### Option:

#### Adjustable Below Grade Riser

- Model:** SPJ19-03-RBBG
- Shown:** Matte Bronze
- Desc:** Solid brass top fits on our standard perma-post with finish to match. Install fixture at grade level and as the landscape grows adjust fixture height as needed.



Wet Listed



#### ORDERING INFORMATION

Model#	Finishes	Wattage	Lumens	Color Temp.	Electrical
<b>SPJ07-10</b>	<b>MBR</b>	<b>2W</b>	<b>150</b>	<b>2700K</b>	<b>8-15V</b>

- V = Verde      GM = Gun Metal      2W
- M = Moss      B = Black      150
- AG = Aged Brass      R = Rusty      160
- MBR = Matte Bronze      PVDP = PVD Polished      170
- RC = Raw Copper      PVDS = PVD Satin