



Forever Bright

SPECIFICATION FEATURES



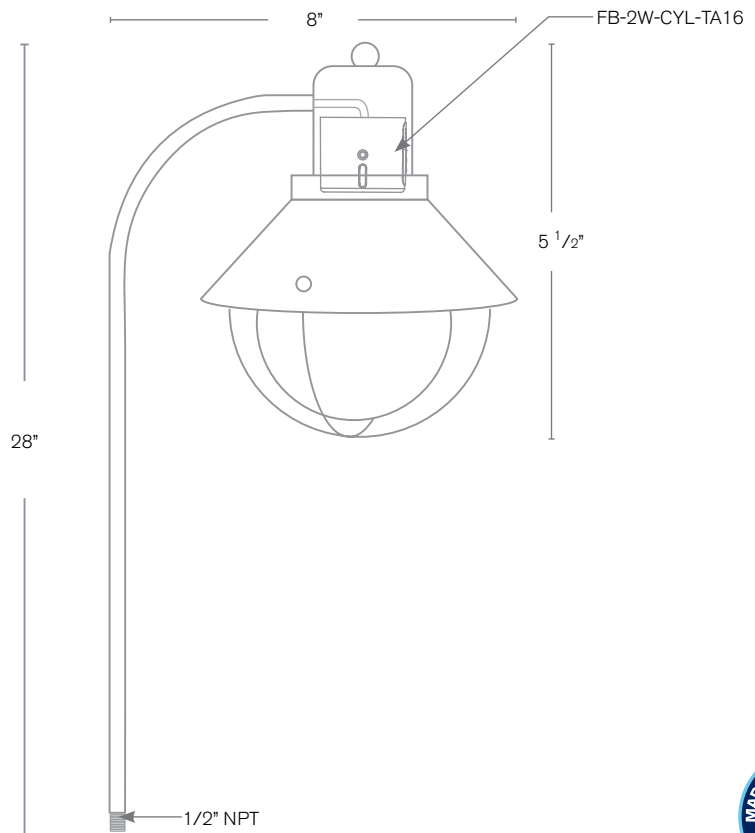
Model: **SPJ-TK002**
Finish: Rusty

- Finish:** Our naturally etched finishes will withstand the test of time. All finishes are individually treated insuring consistency. Our meticulous application results in a fixture that truly becomes "a one of a kind".
- Electrical:** Available in 8-15V
- Labels:** ETL Standard Wet Label
C-ETL

Path / Area Light

DESCRIPTION

- Model#:** SPJ-TK002
- Material:** Solid Brass
- Electrical:** 8-15V
- Engine:** FB-2W-CYL-TA16
- Lumens:** 150
- Color Temp:** 2700 k
- Mounting:** 1/2" NPT. Dual Fin Spike Incl.
- LED:** Nichia



Wet Listed



ORDERING INFORMATION

Model#	Finishes	Wattage	Lumens	Color Temp.	Electrical
SPJ-TK002	R	2W	150	2700K	8-15V

- V = Verde
- GM = Gun Metal
- M = Moss
- B = Black
- AG = Aged Brass
- R = Rusty
- MBR = Matte Bronze
- PVDP = PVD Polished
- RC = Raw Copper
- PVDS = PVD Satin