



MODEL: **SPJ-SQ2-DL**  
 MATERIAL: **Solid Brass**  
 FINISH SHOWN: **Satin Brass**  
 ELECTRICAL: **12V or 120V**  
 ENGINE: **FB-3W-CYL-TA16**  
 LUMENS: **200**  
 COLOR TEMP: **2700K**  
 MOUNTING: **Wall Mount**  
 LED: **Nichia**

**FINISHES**

- Matte Bronze (MBR)
- Verde (V)
- Moss (M)
- Black (B)
- Rusty (R)
- Satin Brass (SB)
- Aged Brass (AG)
- Raw Copper (RC)
- Natural Copper (NC)

**PVD PREMIUM**

- PVD Polished (PVDP)
- PVD Satin (PVDS)
- PVD Graphite (PVDG)
- PVD Bronze (PVDBZ)
- PVD Black (PVDBL)

WATTAGE	LUMENS
<input type="checkbox"/> 1W	80
<input type="checkbox"/> 2W	150
<input type="checkbox"/> 3W	200
<input type="checkbox"/> 6W	300

Custom lumen packages are available upon request

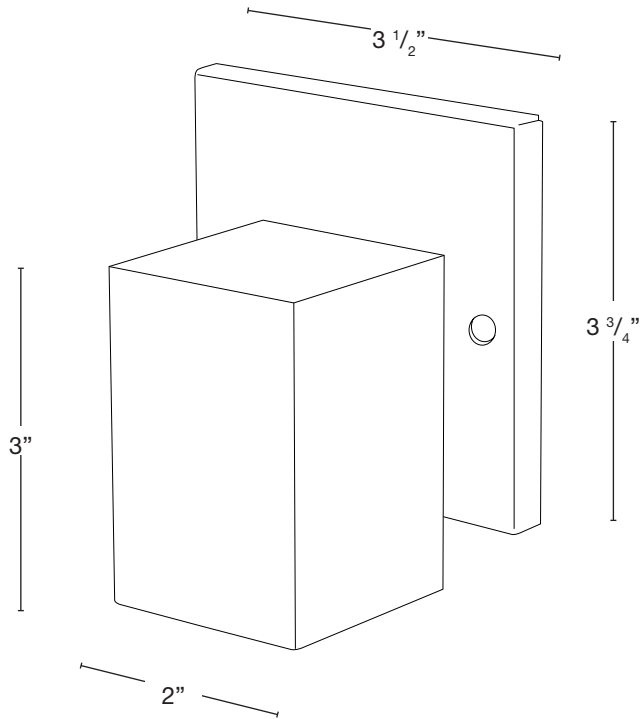
**COLOR TEMPERATURE**

- 2200K
- 2700K
- 3000K
- 4000K
- 5000K
- 6500K
- Amber (TF)
- RGBW-PLC

Custom options are available

**ELECTRICAL**

- 12V
- 120V



Wet Listed



Ordering Example

Customer Approval

Date

SPJ-SQ2-DL-SB-3W-27K-12V