



Forever Bright

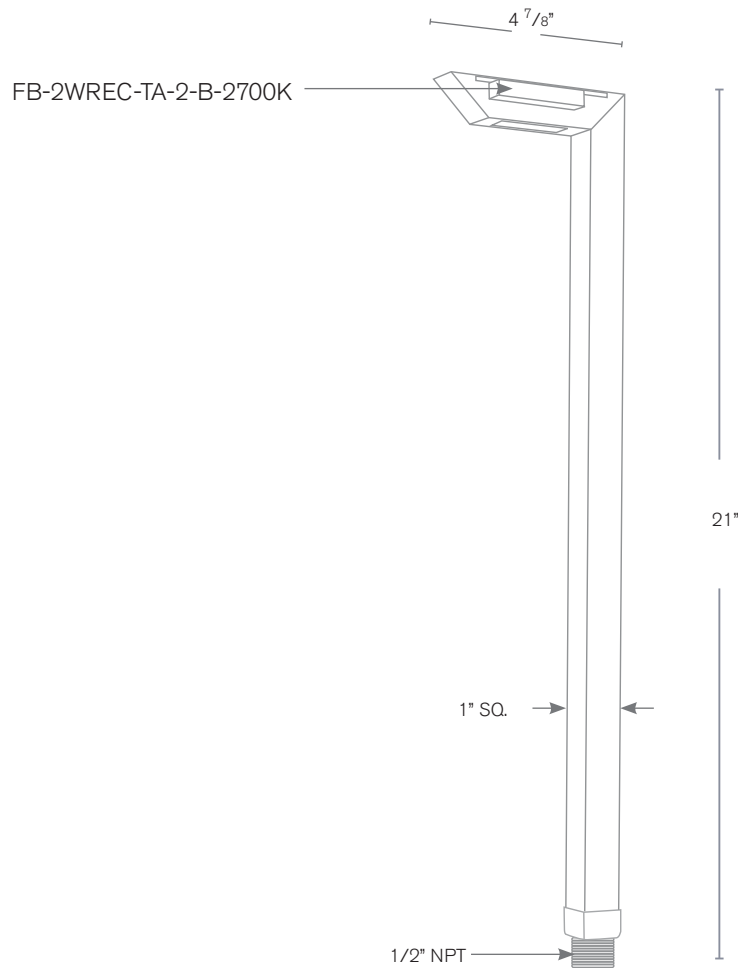
SPECIFICATION FEATURES



Model: **SPJ-SQ100-1**
Finish: PVD Graphite

- Finish:** Our naturally etched finishes will withstand the test of time. All finishes are individually treated insuring consistency. Our meticulous application results in a fixture that truly becomes "a one of a kind".
- Electrical:** Available in 9-15V
- Labels:** ETL Standard Wet Label
C-ETL

Contemporary Path Light



DESCRIPTION

- Model#:** SPJ-SQ100-1
- Material:** Solid Brass
- Electrical:** 9-15V
- Engine:** FB-2WREC-TA-2-B-2700K
- Lumens:** 125
- Color Temp:** 2700K
- Mounting:** 1/2" NPT.
- LED:** Nichia



Wet Listed



ORDERING INFORMATION

Model#	Finishes	Wattage	Lumens	Color Temp.	Electrical
SPJ-SQ100-1	PVDG	2W	125	2700K	9-15V

- | | | | | | |
|--------------------|---------------------|----|-----|-------|-------|
| V = Verde | B = Black | 2W | 125 | 2700K | 9-15V |
| M = Moss | R = Rusty | | | 4000K | |
| AG = Aged Brass | PVDP = PVD Polished | | | 6500K | |
| MBR = Matte Bronze | PVDS = PVD Satin | | | | |
| RC = Raw Copper | PVDG = PVD Graphite | | | | |
| GM = Gun Metal | | | | | |

WWW.SPJLIGHTING.COM