



# Forever Bright

## SPECIFICATION FEATURES

**Finish:** Our naturally etched finishes will withstand the test of time. All finishes are individually treated insuring consistency. Our meticulous application results in a fixture that truly becomes "a one of a kind".



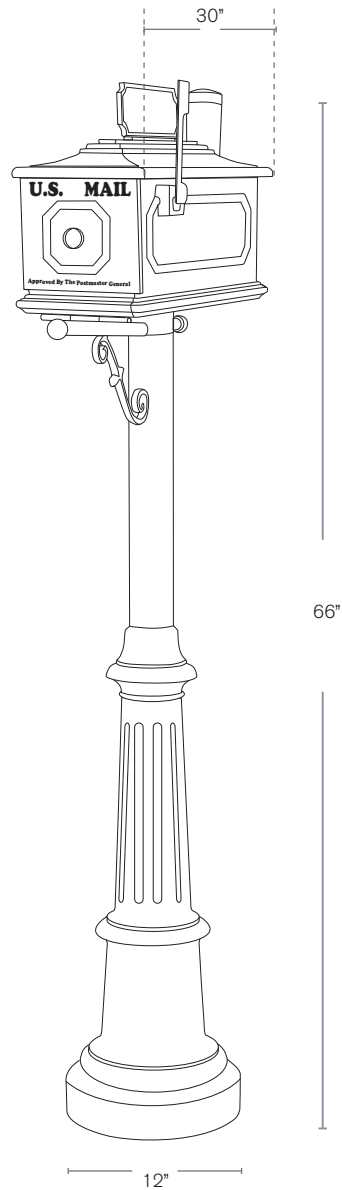
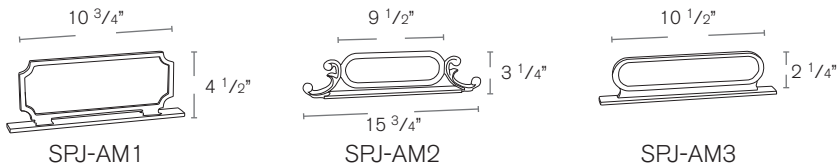
Model: **SPJ-SMB3**  
Finish: Powdercoat Charcoal

### Mailbox

#### DESCRIPTION

**Model#:** SPJ-SMB3  
**Finish:** Powdercoat Charcoal  
**Material:** Aluminum  
**Mounting:** Concrete Footing

### Mail Plates



Wet Listed



#### ORDERING INFORMATION

Model#	Finishes	Plate	Numbers
<b>SPJ-SMB3</b>	<b>PCCH</b>	<b>SPJ-AM3</b>	-

PCBR = Powdercoat Bronze  
PCB = Powdercoat Black  
PCW = Powdercoat White  
PCCH = Powdercoat Charcoal  
CPC = Custom Powdercoat

SPJ-AM1  
SPJ-AM2  
SPJ-AM3