



Forever Bright

SPECIFICATION FEATURES



Model: **SPJ-RBS-SM**
Finish: Matte Bronze

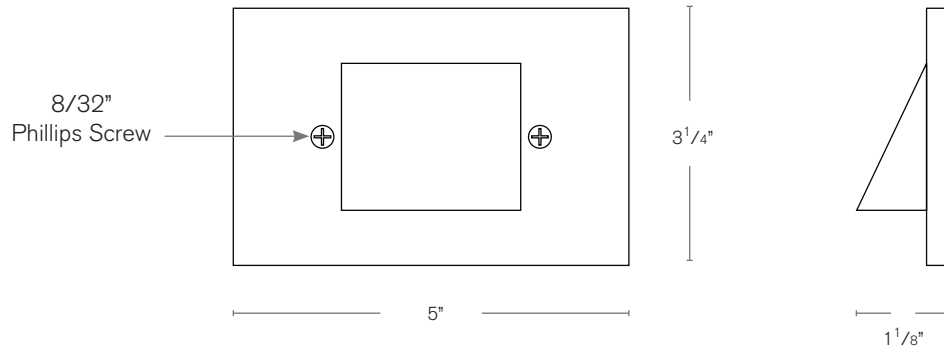
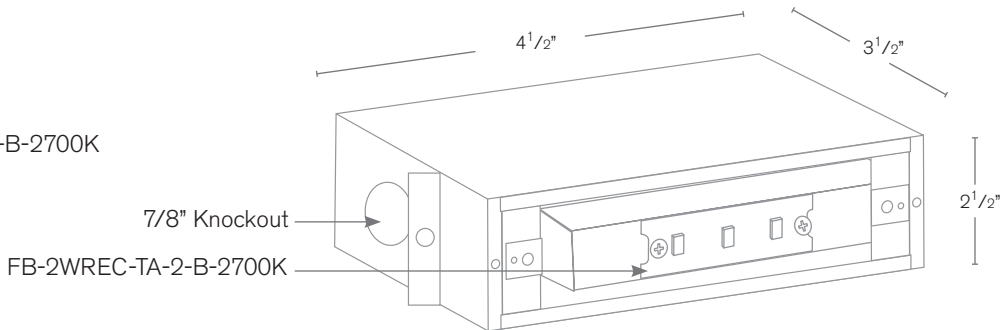
- Finish:** Our naturally etched finishes will withstand the test of time. All finishes are individually treated insuring consistency. Our meticulous application results in a fixture that truly becomes "a one of a kind".
- Electrical:** Available in 9-15v or 120V
- Labels:** ETL Standard Wet Label
C-ETL

Cover Only

SPJ17-FB-SM-BOX

DESCRIPTION

- Model#:** SPJ-RBS-SM
- Material:** Cast Brass
- Engine:** FB-2WREC-TA-2-B-2700K
- Lumens:** 125
- Color Temp:** 2700K
- Electrical:** 9-15V, 120V
- LED:** Nichia



Wet Listed

ORDERING INFORMATION

Model#	Finishes
SPJ-RBS-SM	MBR

- V = Verde
- M = Moss
- AG = Aged Brass
- MBR = Matte Bronze
- SB = Satin Brass
- GM = Gun Metal
- B = Black
- R = Rusty
- PVDP = PVD Polished
- PVDS = PVD Satin