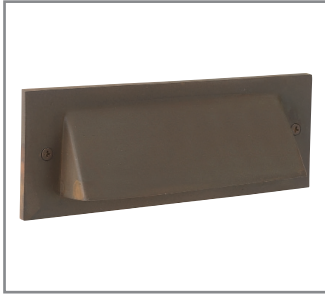




Forever Bright

SPECIFICATION FEATURES



Model: **SPJ-RBS-LG**
 Finish: Matte Bronze

Finish: Our naturally etched finishes will withstand the test of time. All finishes are individually treated insuring consistency. Our meticulous application results in a fixture that truly becomes "a one of a kind".

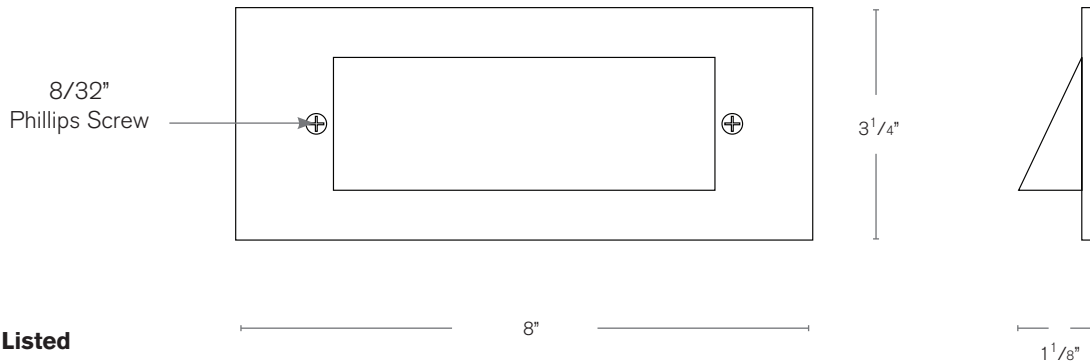
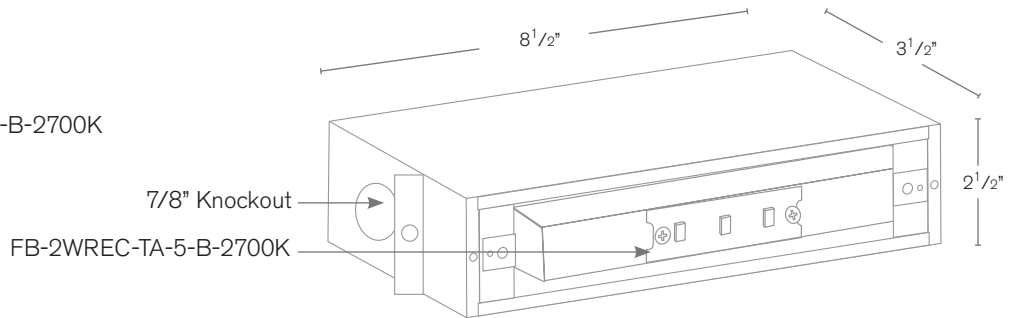
Labels: ETL Standard Wet Label
 C-ETL

Cover Only

SPJ17-FB-LG-BOX

DESCRIPTION

Model#: SPJ-RBS-LG
Material: Cast Brass
Engine: FB-2WREC-TA-5-B-2700K
Lumens: 125
Color Temp: 2700K
Electrical: 9-15V, 120V
LED: Nichia



Wet Listed

ORDERING INFORMATION

Model#

SPJ-RBS-LG

Finishes

MBR

V = Verde GM = Gun Metal
 M = Moss B = Black
 AG = Aged Brass R = Rusty
 MBR = Matte Bronze PVDP = PVD Polished
 SB = Satin Brass PVDS = PVD Satin

WWW.SPJLIGHTING.COM