

PRODUCT: SPJ-PCL-QS-1ALB

WEIGHT: 289 lbs
(CUSTOMER TO OFFLOAD IF OVER 6000 Lbs.)

QUANTITY: _____

CONCRETE COLOR:

- QUAIL HILL RED
- NATURAL
- MISSION WHITE
- LATTE
- HARVEST
- FRENCH GREY
- BUNGALOW
- ADOBE TAUPE
- CUSTOM COLOR

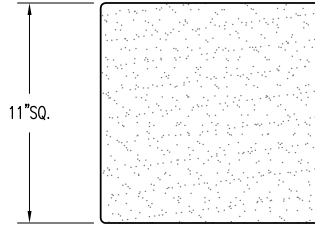
CONCRETE TEXTURE:

- CRAFTSMANS ETCH
- STRATA

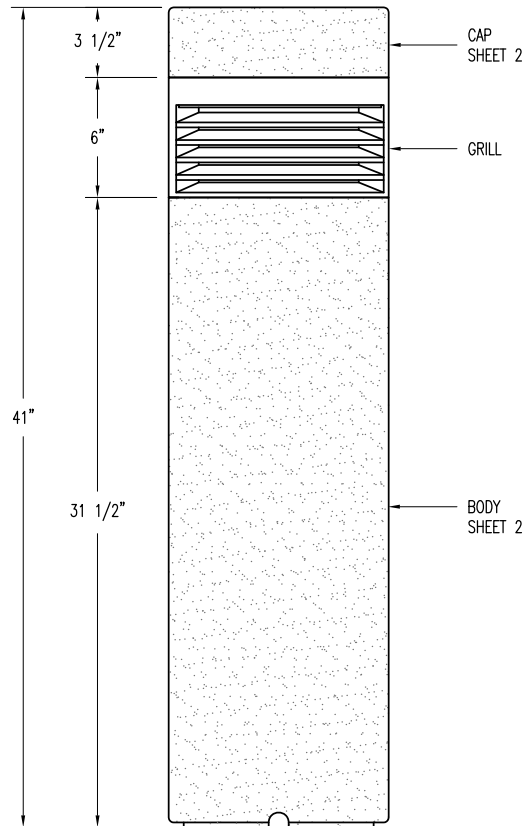
SEALER: STANDARD SEALER

GENERAL PRODUCT NOTES:


E = EXPOSED FINISHED SURFACE
 INSTALLATION IS REQUIRED BY OTHERS.
 ALL EDGES TO BE EASED.
 MANUFACTURING TOLERANCE ±1/4".



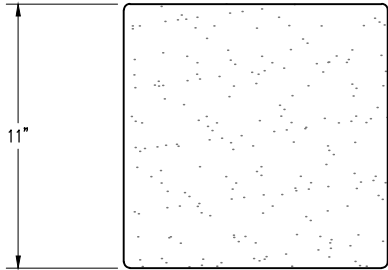
PLAN VIEW



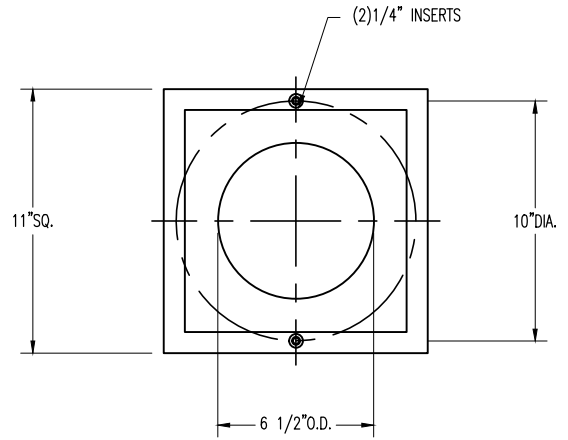
ELEVATION VIEW

 ARCHITECTURAL LANDSCAPE & OUTDOOR LIGHTING	PLAN TYPE	CONSTRUCTION PLAN	DATE	2/8/17	FILE NO.	072_QS_1ALB_104	SHEET	X
	PRODUCT	SPJ-PCL-QS-1ALB LIGHTED BOLLARD SQUARE	SCALE	1 1/4" = 1'	DRAWN BY:	-	OF	
	PROJECT NAME	-	PC. NO.	-	QC ITEM NO.	-		X

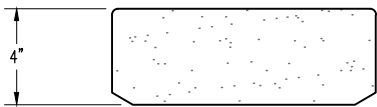
CAP



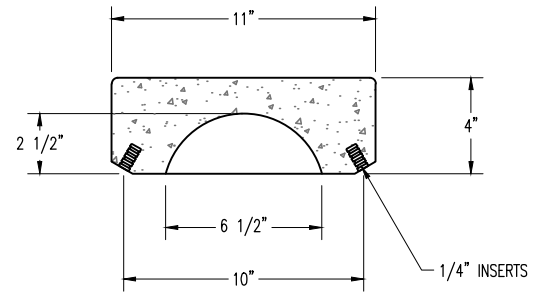
PLAN VIEW




BOTTOM VIEW



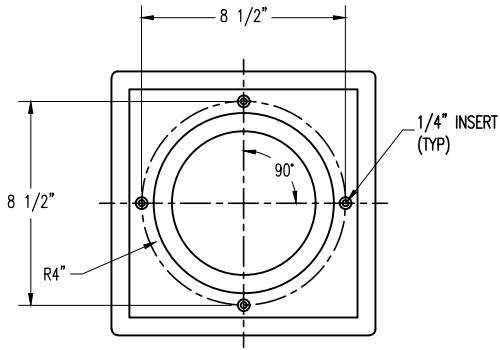
ELEVATION VIEW



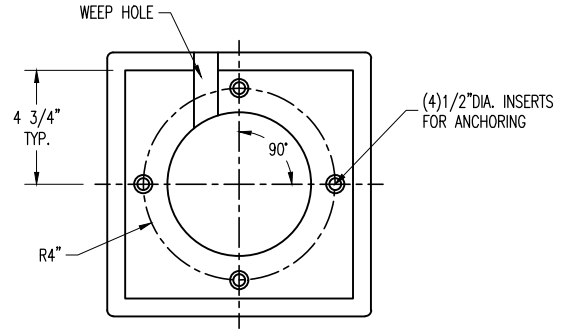
SECTION VIEW

 <p>ARCHITECTURAL LANDSCAPE & OUTDOOR LIGHTING</p>	PLAN TYPE	CONSTRUCTION PLAN	DATE	2/8/17	FILE NO.	072_QS_1ALB_204	SHEET	X
	PRODUCT	SPJ-PCL-QS-1ALB LIGHTED BOLLARD SQUARE	SCALE	1 1/2" = 1'	DRAWN BY:	-	OF	X
	PROJECT NAME	-	PC. NO.	-	QC ITEM NO.	-		

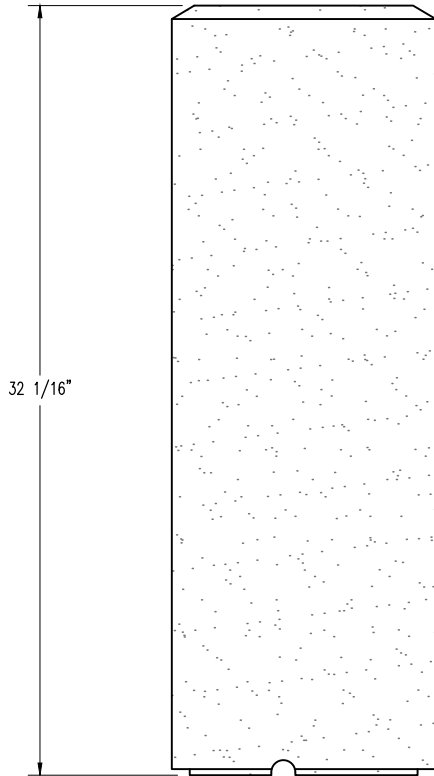
BODY



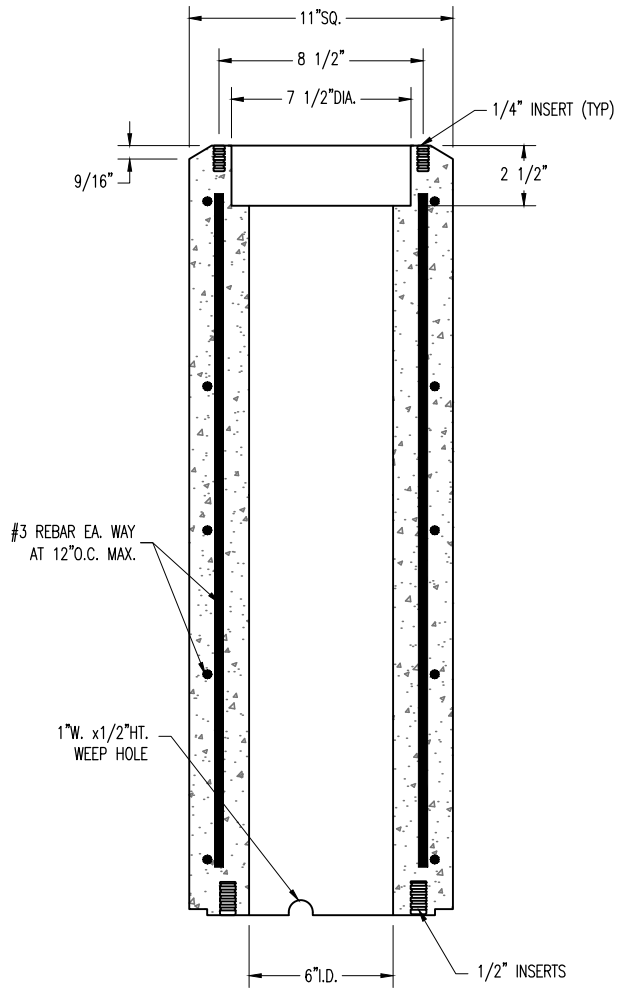
BOTTOM VIEW



BOTTOM VIEW (ANCHOR BOLT PATTERN)

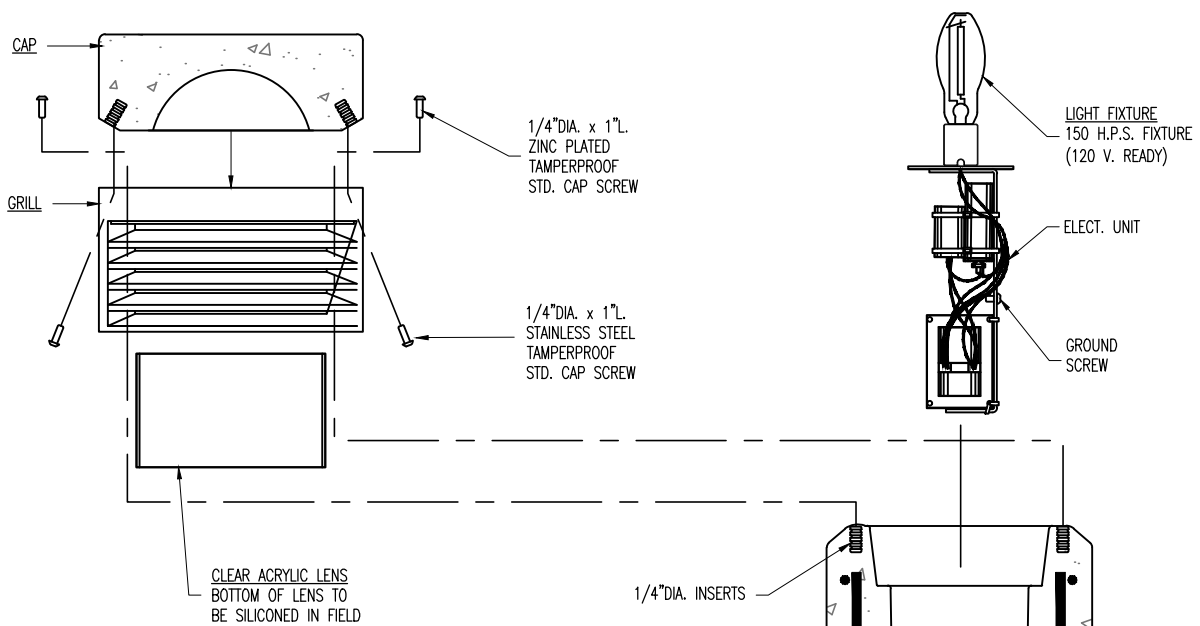


ELEVATION VIEW



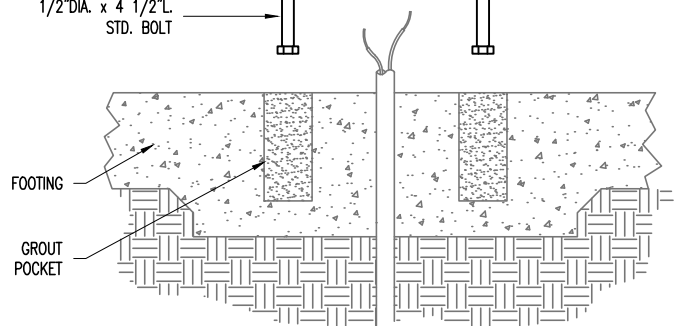
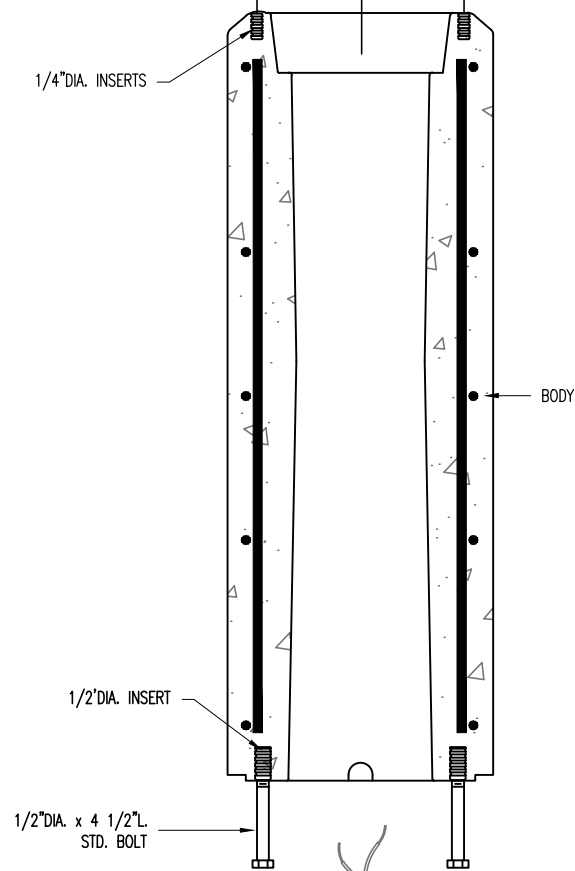
SECTION VIEW

	PLAN TYPE	CONSTRUCTION PLAN	DATE	2/8/17	FILE NO.	072_QS_1ALB_304	SHEET	X
	PRODUCT	SPJ-PCL-QS-1ALB LIGHTED BOLLARD SQUARE	SCALE	1 1/2" = 1'	DRAWN BY:	-	OF	X
	PROJECT NAME	-	P.C. NO.	-	QC ITEM NO.	-		



INSTALLATION NOTES:

1. CAST-IN OR CORE DRILL (4) 1-1/2\"/>



SECTION VIEW

HARDWARE LIST	
QTY	TYPE
1	LIGHT GRILL
1	ACRYLIC LENS
1	LIGHT BULB W/ELECT. UNIT & GROUND SCREW
4	1/4\"/>
2	1/4\"/>
3	1/2\"/>

<p>ARCHITECTURAL LANDSCAPE & OUTDOOR LIGHTING</p>	PLAN TYPE	CONSTRUCTION PLAN	DATE	2/8/17	FILE NO.	072_QS_1ALB_404	SHEET	X
	PRODUCT	SPJ-PCL-QS-1ALB LIGHTED BOLLARD SQUARE	SCALE	1 1/2" = 1'	DRAWN BY:	-	OF	X
	PROJECT NAME	-	PC. NO.	-	QC ITEM NO.	-		